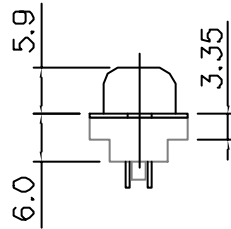
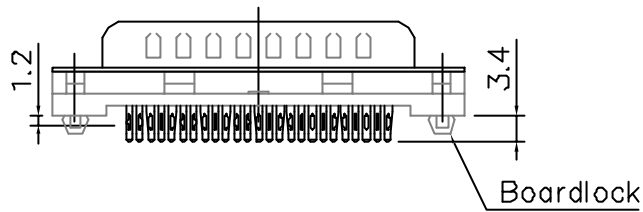
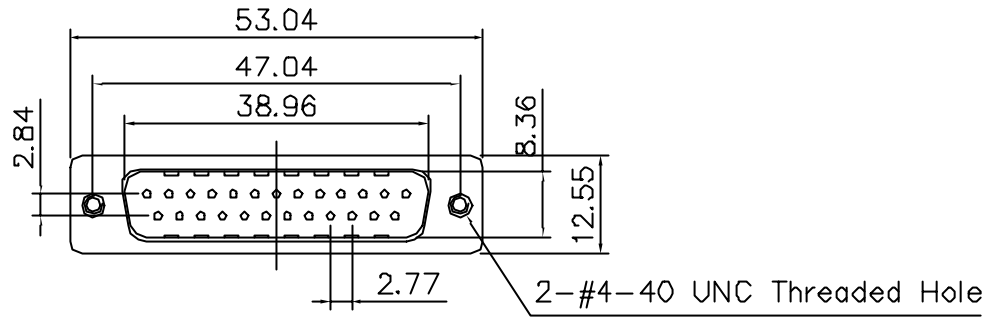


This document is the property of Amphenol Corporation and is delivered on the express condition that it is not to be disclosed, reproduced or used, in whole or in part, for the manufacture or sale by anyone other than Amphenol Corporation without its prior consent, and that no right is granted to disclose or to use any information in this document.



Specifications

Contact Resistance: 30m ohms max. at DC 100mA

Insulator Resistance: 1000M ohms min. at DC 500V

Current Rating: 5 AMP

Dielectric Withstanding

Voltage: AC 1000V For 1 minute

Operating Temperature: -55°C ~ +125°C

Contact: PHOSPHOR BRONZE

Housing: high temperature thermoplastic

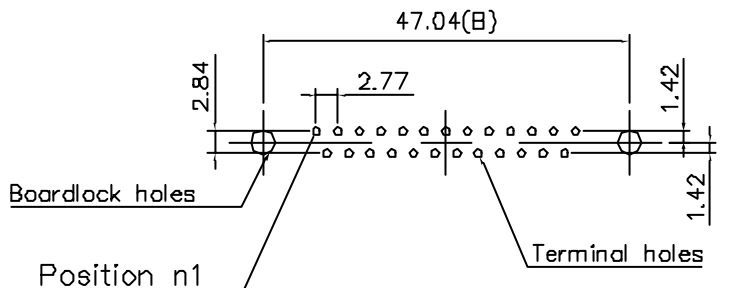
Terminal Specification:

Drilled hole	1.1±0.02
Finished hole	1.0±0.05
Cu	Min 25 um
Sn	5-15 um

Boardlock Specification:

Drilled hole	3.2±0.02
Finished hole	3.1±0.05
Cu	Min 25 um
Sn	5-15 um

Drawing number	Contact plating
L17TF 2510111	Gold flash
L17TF 2511111	.15μ inches
L17TF 2512111	.30μ inches



Recommended PCB Layout

TOLERANCE m/m	APPROVALS	DATE	TITLE	AMPHENOL	
X. ±0.05	C.R.	14/11/01	17TF SERIES D-SUB CONNECTOR STRAIGHT PCB MOUNT, PLUG, PRESS FIT TYPE	AMPHENOL SOCAPEX	
X.X ±0.1	J.F.L.	14/11/01		Dole Plant	
X.XX ±0.3	J.F.L.	14/11/01		Scale N.A.	Sheet 1 of 1
			UNIT: MM	SIZE: A4	REV. A
			DRAWING N° L17TF 251-111		