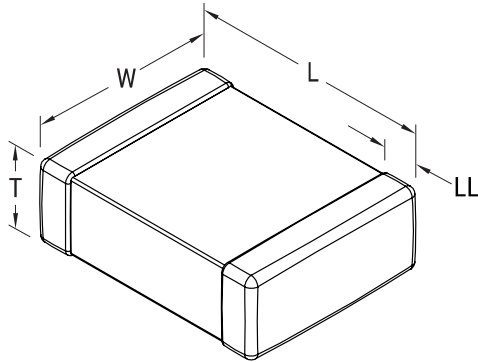


KEMET, L-PWS, Power, 1.5 uH, 20%



Dimensions	
Chip Size	0806
L	2mm +/-0.2mm
W	1.6mm +/-0.2mm
T	1.6mm +/-0.2mm
LL	0.5mm +/-0.2mm

Packaging Specifications	
Packaging:	T&R
Packaging Quantity:	2000

General Information	
Series:	L-PWS
Style:	SMD Chip
Description:	Surface Mount Inductor
Features:	Standard Type
RoHS:	Yes

Specifications	
Inductance:	1.5 uH (7.96 MHz)
Inductance Tolerance:	20%
Temperature Range:	-40/+105°C
Current:	350 mAmps (MAX)
DC Resistance:	0.11 Ohms
Self-Resonant Frequency:	80 MHz