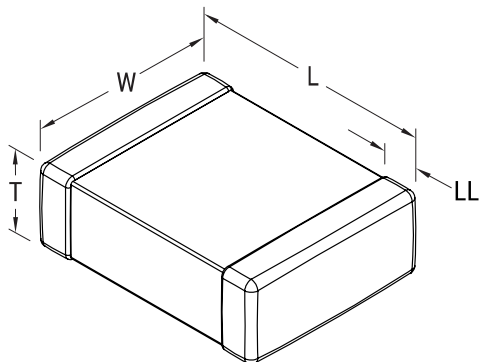


KEMET, L-DWI, Power, 1000 nH, 20%



Dimensions	
Chip Size	0805
L	2mm +/-0.2mm
W	1.25mm +/-0.2mm
T	1.25mm +/-0.2mm
LL	0.5mm +/-0.2mm

Packaging Specifications	
Packaging:	T&R
Packaging Quantity:	3000

General Information	
Series:	L-DWI
Style:	SMD Chip
Description:	Surface Mount Inductor
Features:	High Current Type
RoHS:	Yes

Specifications	
Inductance:	1 uH (7.96 MHz)
Inductance Tolerance:	20%
Temperature Range:	-40/+105°C
Current:	700 mAmps (Isat, 30% Drop In Inductance), 840 mAmps (I _{rms} , 40C Rise By Self Heating)
DC Resistance:	0.19 Ohms
Self-Resonant Frequency:	100 MHz