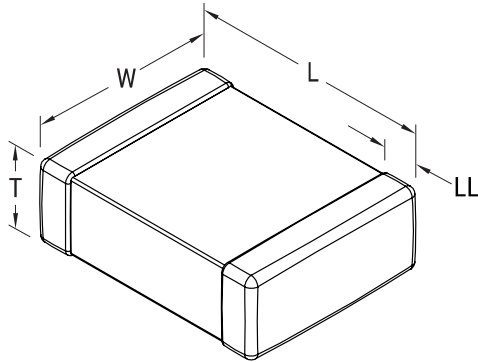


KEMET, L-DWI, Power, 10 uH, 20%



Dimensions	
Chip Size	0805
L	2mm +/-0.2mm
W	1.25mm +/-0.2mm
T	1.25mm +/-0.2mm
LL	0.5mm +/-0.2mm

Packaging Specifications	
Packaging:	T&R
Packaging Quantity:	3000

General Information	
Series:	L-DWI
Style:	SMD Chip
Description:	Surface Mount Inductor
Features:	High Current Type
RoHS:	Yes

Specifications	
Inductance:	10 uH (2.52 MHz)
Inductance Tolerance:	20%
Temperature Range:	-40/+105°C
Current:	240 mAmps (Isat, 30% Drop In Inductance), 340 mAmps (Irms, 40C Rise By Self Heating)
DC Resistance:	1.2 Ohms
Self-Resonant Frequency:	40 MHz