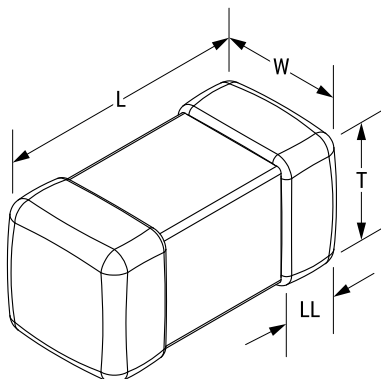


KEMET Part Number: L0402C1N2SRMST
(L0402C1N2SRMST)

KEMET

a YAGEO company

KEMET, L-RMS, RF, 1200 pH, +/-0.3 nH



| Dimensions | |
|------------|-----------------|
| Chip Size | 0402 |
| L | 1mm +/-0.05mm |
| W | 0.5mm +/-0.05mm |
| T | 0.5mm +/-0.05mm |
| LL | 0.25mm +/-0.1mm |

| Packaging Specifications | |
|--------------------------|-------|
| Packaging: | T&R |
| Packaging Quantity: | 10000 |

| General Information | |
|---------------------|------------------------|
| Series: | L-RMS |
| Style: | SMD Chip |
| Description: | Surface Mount Inductor |
| RoHS: | Yes |
| Core: | Ceramic |
| Winding Type: | Multilayer |

| Specifications | |
|--------------------------|--|
| Inductance: | 0.0012 uH (100 MHz) |
| Inductance Tolerance: | +/-0.3 nH |
| Temperature Range: | -55/+125°C |
| Current: | 300 mAmps (MAX) |
| DC Resistance: | 0.09 Ohms |
| Quality Factor: | 11 at 100 MHz, 35 at 500 MHz, 44 at 800 MHz, 52 at 1000 MHz |
| Self-Resonant Frequency: | 10000 MHz |

Statements of suitability for certain applications are based on our knowledge of typical operating conditions for such applications, but are not intended to constitute - and we specifically disclaim - any warranty concerning suitability for a specific customer application or use. This Information is intended for use only by customers who have the requisite experience and capability to determine the correct products for their application. Any technical advice inferred from this Information or otherwise provided by us with reference to the use of our products is given gratis, and we assume no obligation or liability for the advice given or results obtained.

KEMET

a YAGEO company