



## 92x92x25.5mm

- **Airflow:** 17.3~32.0 CFM
- **Static Pressure:** 1.39~5.70 mm-H<sub>2</sub>O
- **Blade:**  
Plastic Material UL 94V-0 P.B.T.
- **Frame:** Die-Cast Aluminum
- **Weight:** 260 g

DC AXIAL FAN

DC BLOWER

XTREME SERIES

AC AXIAL FAN

Model No.	Bearing	Rated Voltage	Freq	Speed	Max. Airflow	Max. Static Pressure	Current	Power Consumption	Life at 40°C L10	P-Q Curve	Noise Level
	VAC	Hz	RPM	CFM	mm-H <sub>2</sub> O	A	W	Hour			
KT09225115 S H	S	50/60	2500/3000	26/32	3.80/5.70	0.18/0.16	15.0/13.0	20000	①/①	31.7/39.1	
KW09225115 S H	S	50/60	2500/3000	26/32	3.80/5.70	0.18/0.16	15.0/13.0	20000	①/①	31.7/39.1	
KT09225115 B L	2B	50/60	1600/1800	17.3/18.3	1.39/1.42	0.07/0.06	7.0/6.0	60000	③/③	26.5/27.0	
KW09225115 B L	2B	50/60	1600/1800	17.3/18.3	1.39/1.42	0.07/0.06	7.0/6.0	60000	③/③	26.5/27.0	
KT09225115 BM	2B	50/60	2100/2300	22/25	2.50/2.90	0.09/0.08	10.0/9.0	60000	②/②	28.6/32.0	
KW09225115 BM	2B	50/60	2100/2300	22/25	2.50/2.90	0.09/0.08	10.0/9.0	60000	②/②	28.6/32.0	
KT09225115 B H	2B	50/60	2500/3000	26/32	3.80/5.70	0.18/0.16	15.0/13.0	60000	①/①	31.7/39.1	
KW09225115 B H	2B	50/60	2500/3000	26/32	3.80/5.70	0.18/0.16	15.0/13.0	60000	①/①	31.7/39.1	
KT09225220 S H	S	50/60	2500/3000	26/32	3.80/5.70	0.08/0.07	15.0/13.0	20000	①/①	31.7/39.1	
KW09225220 S H	S	50/60	2500/3000	26/32	3.80/5.70	0.08/0.07	15.0/13.0	20000	①/①	31.7/39.1	
KT09225220 B L	2B	50/60	1600/1800	17.3/18.3	1.39/1.42	0.05/0.04	7.0/6.0	60000	③/③	26.5/27.0	
KW09225220 B L	2B	50/60	1600/1800	17.3/18.3	1.39/1.42	0.05/0.04	7.0/6.0	60000	③/③	26.5/27.0	
KT09225220 BM	2B	50/60	2100/2300	22/25	2.50/2.90	0.09/0.08	10.0/9.0	60000	②/②	28.6/32.0	
KW09225220 BM	2B	50/60	2100/2300	22/25	2.50/2.90	0.09/0.08	10.0/9.0	60000	②/②	28.6/32.0	
KT09225220 B H	2B	50/60	2500/3000	26/32	3.80/5.70	0.08/0.07	15.0/13.0	60000	①/①	31.7/39.1	
KW09225220 B H	2B	50/60	2500/3000	26/32	3.80/5.70	0.08/0.07	15.0/13.0	60000	①/①	31.7/39.1	

2B: 2-ball bearing S: sleeve bearing

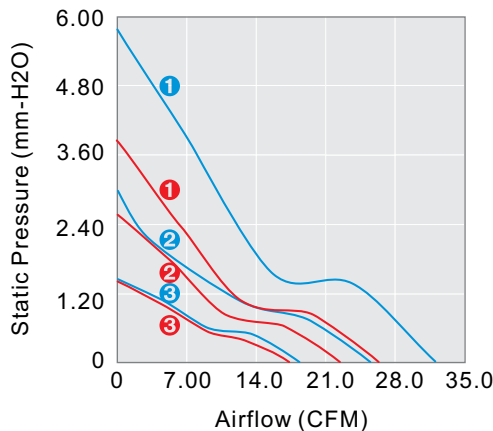
Voltage Available

**115 230**

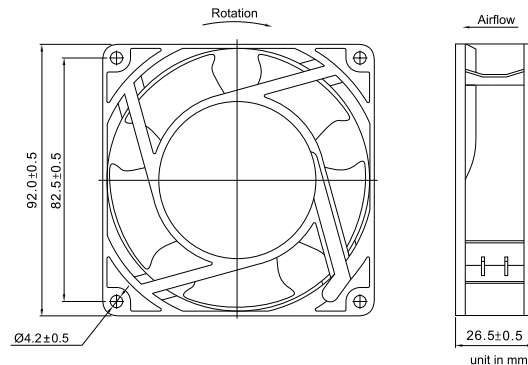
Bearing System Available

**2B S**

### PERFORMANCE P-Q CURVE



### OUTLINE DIMENSIONS



Please refer to *Model Numbering System* for bearing, function and speed level indication.

Specifications are subject to changes without notice. Please refer to the formally issued product specification via contacting Y.S. TECH sales department. Visit Y.S. TECH web site at <http://www.ystechusa.com/> for updated information. Customized Specifications are designed accordingly.