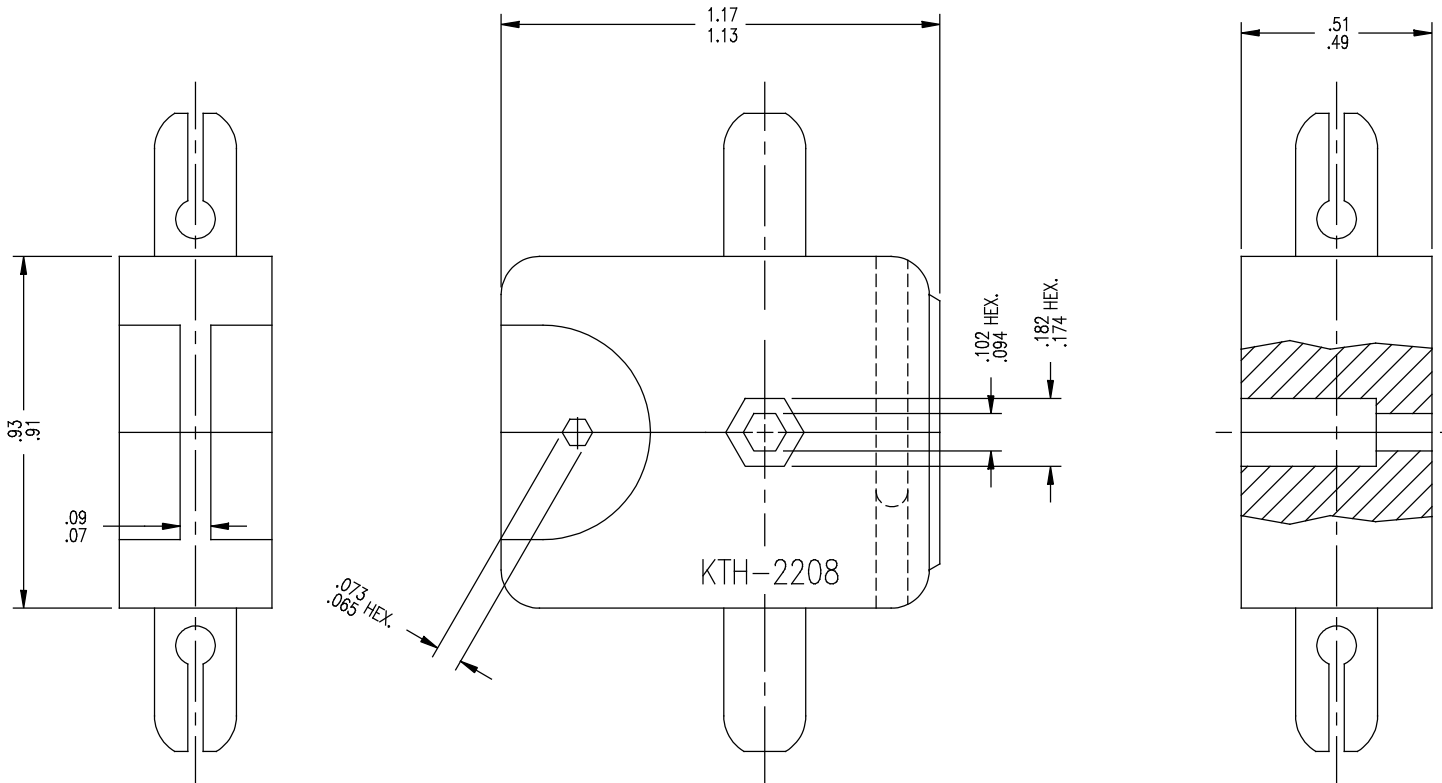


GSD

KTH-2208



- NOTES:
 1. FOR USE WITH BOEING BMS13-51 CABLE.
 2. FINISH: BLACK OXIDE

REVISIONS

ISSUE	CHANGES
0	ER 34137 KH 10/08/92

KAM2337

SCALE 3:1

APPROX SURFACE AREA

WAS: E-17171-10

USED ON K-4932

REF:

DIE, CRIMP

DRAWN KH DATE 10/08/92

DESIGN CT DATE 10/09/92

APPR. JT DATE 10/21/92

KINGS
 ELECTRONICS CO., INC.
 TUCKAHOE, NEW YORK 10707

GSD

KTH-2208