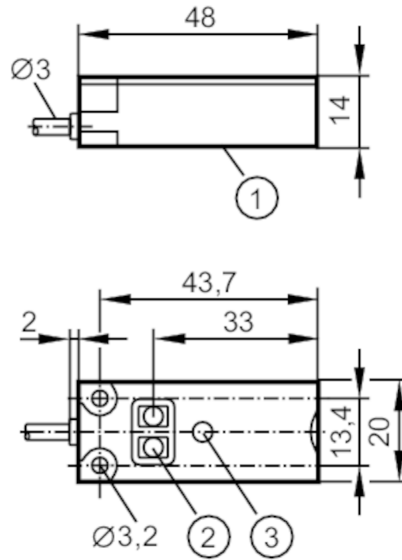


KQ6001



Capacitive sensor

KQ-3120NFAKG/2T



- 1 sensing face
- 2 Programming buttons
- 3 LED



Product characteristics

Electrical design	PNP/NPN; (Automatic load detection PNP/NPN)
Output function	normally open / closed; (selectable)
Sensing range [mm]	12
Communication interface	IO-Link
Housing	rectangular
Dimensions [mm]	20 x 14 x 48

Application

Installation	detection through non-metallic container wall or on bypass pipes
Media	dry bulk material; liquids

Electrical data

Operating voltage [V]	10...30 DC
Current consumption [mA]	< 17
Protection class	III
Reverse polarity protection	yes

KQ6001



Capacitive sensor

KQ-3120NFAKG/2T

Outputs		
Electrical design	PNP/NPN; (Automatic load detection PNP/NPN)	
Output function	normally open / closed; (selectable)	
Max. voltage drop switching output DC [V]	2.5	
Permanent current rating of switching output DC [mA]	100	
Switching frequency DC [Hz]	10	
Short-circuit protection	yes	
Type of short-circuit protection	yes (non-latching)	
Overload protection	yes	
Monitoring range		
Sensing range [mm]	12	
Real sensing range Sr [mm]	12 ± 10 %	
Accuracy / deviations		
Hysteresis [% of Sr]	1...15	
Switch-point drift [% of Sr]	-20...20	
Interfaces		
Communication interface	IO-Link	
Transmission type	COM1 (4,8 kBaud)	
IO-Link revision	1.1	
SDCI standard	IEC 61131-9 CDV	
Profiles	Smart Sensor	
SIO mode	yes	
Min. process cycle time [ms]	100.8	
Supported DeviceIDs	Type of operation	DeviceID
	default	371
Operating conditions		
Ambient temperature [°C]	-25...80	
Protection	IP 65; IP 67; IP 69K	
Tests / approvals		
EMC	EN 61000-4-2 ESD	8 kV AD
	EN 61000-4-3 HF radiated	10 V/m
	EN 61000-4-4 Burst	2 kV
	EN 61000-4-6 HF conducted	3 V
Shock resistance	EN 55011	class B
	EN 60068-2-27	30 g 6 shocks / 11 ms half-sine (x, y, z)
Vibration resistance	EN 60068-2-6	(10...55 Hz) / 1 mm amplitude, vibration duration 5 min., 30 min. per axis with resonance or 55 Hz
MTTF [years]	623	
UL approval	Ta	-25...80 °C
	Enclosure type	Type 1
	voltage supply	Limited Voltage/Current

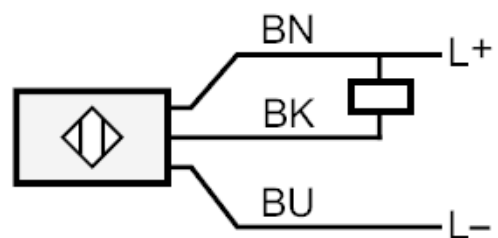
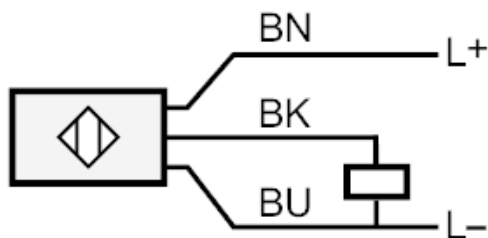
KQ6001



Capacitive sensor

KQ-3120NFAKG/2T

Mechanical data		
Weight [g]		46.4
Housing		rectangular
Mounting		non-flush mountable
Dimensions [mm]		20 x 14 x 48
Material	housing: PBT reinforced glass-fibre; Pushbuttons: TPE-U; cover: PC reinforced glass-fibre	
Displays / operating elements		
Display	Switching status	1 x LED, yellow
Teach function		yes
Electronic lock		yes
Remarks		
Pack quantity		1 pcs.
Electrical connection		
Cable: 2 m, PVC; 3 x 0.14 mm ²		
Connection		



BK: OUT / IO-Link
Automatic load detection PNP/NPN
when using a resistive load < 20 k Ω
Core colors :

BK = black
BN = brown
BU = blue