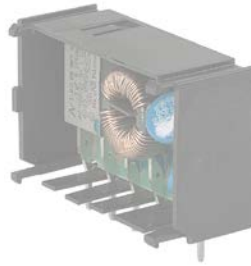


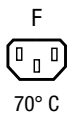
IEC Appliance Inlet C14 with Appliance Outlet F



Inlet with outlet



KPF Filter Module  
(not enclosed)



**Description**

- Panel Mount:  
Sandwich/rear-side
- 2 Functions:  
Appliance Inlet Protection class I, Connector Protection class I
- For PCB mounting

**Approvals**

- Approval Reference Type: KP01
- VDE Certificate Number: 40029368
- UL File Number: E103791
- CSA File Number: 38456
- CCC File Number: 2005010204145347

**Characteristics**

- Panel mount from rear or "sandwich" between top and bottom/side to side panels  
PCB mount with snap-in or screw-on feet (self tapping screws Ø 3 x 8 mm)
- All single elements are already wired
- Insulation cover on the rear-side
- Suitable for use in equipment according to IEC/UL 60950

**Other versions on request**

- Solder terminals
- Quick-connect terminals
- For protection class II

**References**

Alternative: version with line filter [KPF](#)

**Weblinks**

[pdf-datasheet](#), [html-datasheet](#), [General Product Information](#), [Approvals](#), [CE declaration of conformity](#), [RoHS](#), [CHINA-RoHS](#), [REACH](#), [Mating Connectors](#), [e-Shop](#), [SCHURTER-Stock-Check](#), [Distributor-Stock-Check](#), [CAD-Drawings](#), [Accessories](#), [Detailed request for product](#)

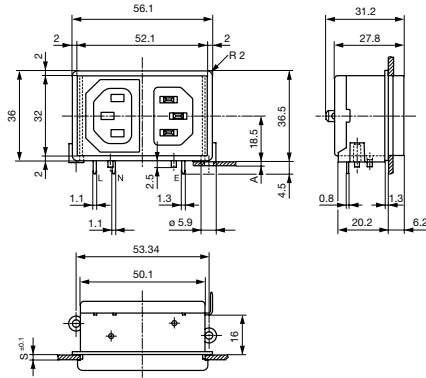
**Technical Data**

Ratings IEC	10A / 250VAC; 50Hz
Ratings UL/CSA	10A / 125VAC; 60Hz
Dielectric Strength	> 2.3kVAC between L-N > 2.8kVAC between L/N-PE (1 min/50Hz)
Allowable Operation Temp.	-25 °C to 70 °C
Degree of Protection	from front side IP 40 acc. to IEC 60529
Protection Class	Suitable for appliances with protection class I acc. to IEC 61140
Terminal	For PCB mounting Quick connect terminals 4,8 x 0,8 mm Solder terminal on request
Panel Thickness s	Snap-in: 1.5/2/2.5/3 mm
Material: Housing	Thermoplastic, black, UL 94V-0

Appliance Inlet / Appliance Outlet	C14 acc. to IEC 60320 and F acc. to IEC 60320, UL 498, CSA C22.2 no. 42 (for cold conditions) pin-temperature 70 °C, 10A, Protection Class I
------------------------------------	--

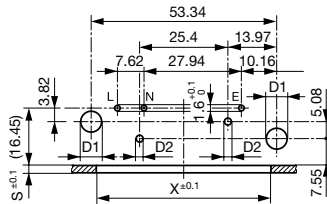
## Dimensions

### Screw-on mounting



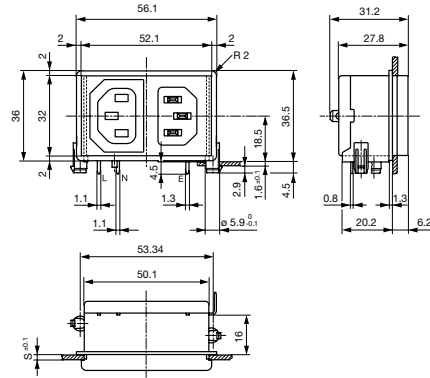
A = for PCB-thickness 1.2/1.6/2.0/2.4 mm  
Additional quick connect terminal 4.8 x 0.8 mm

For 2-pole inlet/switch, 2-pole inlet  
fuseholder and inlet/outlet



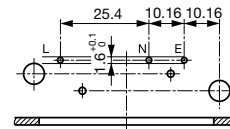
d1 = 6 ± 0.05 für (snap-in)  
d1 = 3.6 (screw-on)  
d2 = 2.1 + 0.1/-0 (screw-on)  
Dimensions without tolerance:  
≤ 15 = ± 0.05; ≥ 15 = ± 0,1

### Snap-in mounting



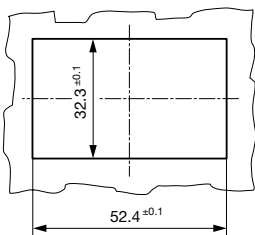
Additional quick connect terminal 4.8 x 0.8 mm  
s = panel thickness

for combinations:  
inlet/switch 1-pole  
Inlet/ fuseholder 1-pole

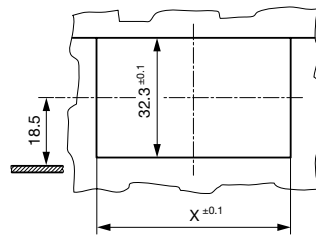


S and X see mounting holes

### Mounting holes for backside mounting

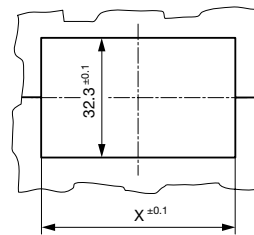


### Sandwich mounting holes



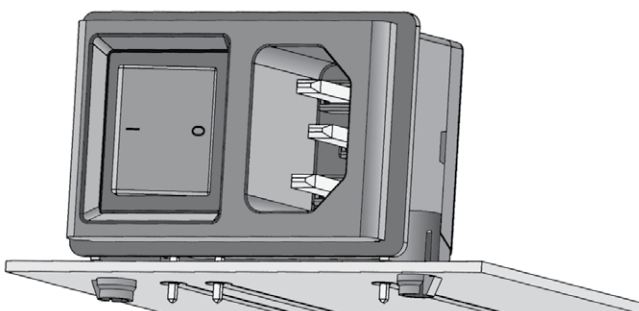
X = 48.4 at S = 1.5 and 2.5  
X = 50.4 at S = 2.0 and 3.0

### Sandwich mounting holes

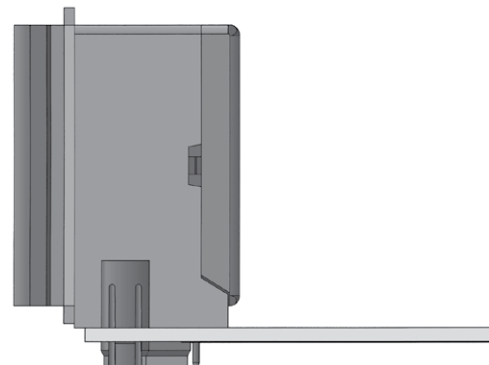


X = 48.4 at S = 1.5 and 2.5  
X = 50.4 at S = 2.0 and 3.0

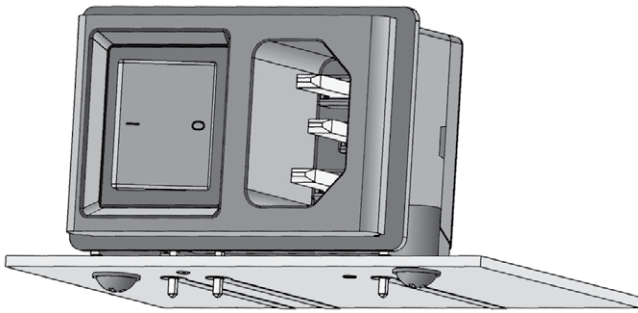
## Assembly Instructions



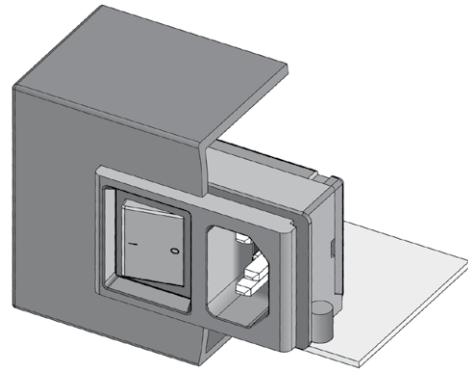
Stable snap feet requires minimal  
insertion force



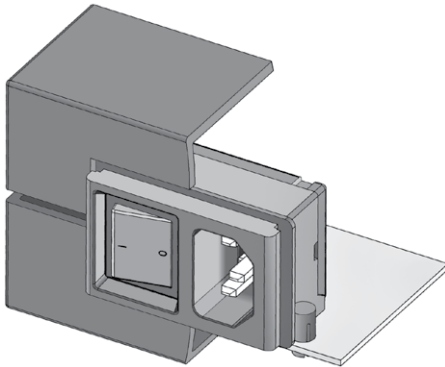
Module must lay flat on the PCB when soldering



Screw-on mount  
 uses self-tapping screws

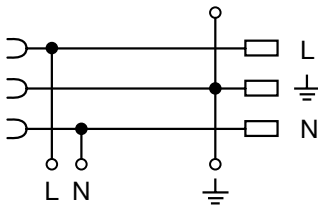


Insertion from behind



"Sandwich" mounting with split  
 enclosure panels

### Diagrams



Inlet with outlet

### All Variants

Panel mounting	Panel Thickness s [mm]	PCB [mm]	Line Switch	Fuseholder	Connector	Order Number
Snap-in	2	1.6	-	-	F	<a href="#">KP01.1012.01</a>
Snap-in	3	1.6	-	-	F	<a href="#">KP01.1013.01</a>
Screw	2	1.2/1.6/2.0/2.4	-	-	F	<a href="#">KP01.1052.01</a>
Screw	3	1.2/1.6/2.0/2.4	-	-	F	<a href="#">KP01.1053.01</a>

Availability for all products can be searched real-time: <http://www.schurter.com/en/Stock-Check/Stock-Check-SCHURTER>

Type KP without cover: KP01.XXXX.XX90

Ground Terminal with solder pin: KP01.XXXX.X3XX

**Packaging unit**      50 Pcs

## Mating Inlets/Plugs

### Category / Description

[Plug Overview complete](#)



IEC Plug E, Cord Connector (Rewireable), Straight, max. cable Diameter 8.5 mm	4732
IEC Plug E, Cord Connector (Rewireable), Angled, max. Cable Diameter 8.5 mm	4733
IEC Plug E, Cord Connector (Rewireable), Straight, max. Cable Diameter 10 mm	4735
IEC Plug E, Cord Connector (Rewireable), Angled, max. Cable Diameter 10 mm	4736
IEC Plug E, Cord Connector (Rewireable), Straight	9009
<a href="#">Plug further types to KP (Outlet)</a>	...

## Mating Outlets/Connectors

[Appliance Outlet Overview complete](#)



IEC Appliance Outlet F, Screw-on Mounting, Front Side, Solder Terminal	4787
IEC Appliance Outlet F, Snap-in Mounting, Front Side, Solder or Quick-connect Terminal	4788
IEC Appliance Outlet F or H, Screw-on Mounting, Front Side, Solder, PCB or Quick-connect Terminal	5091
<a href="#">Appliance Outlet further types to KP (Outlet)</a>	...

[Connector Overview complete](#)



IEC Connector C15A, Rewireable, Straight	0102
IEC Connector C15A, Rewireable, Straight	0102-G
IEC Connector C15A, Rewireable, Angled	0112
IEC Connector C13, Rewireable, Angled	4012
IEC Connector C13, Rewireable, Straight	4022
<a href="#">Connector further types to KP (Outlet)</a>	...

## Mating Outlets/Connectors shuttered

[Power Cord Overview complete](#)



Overview Power Supply Cord with IEC Connector C13, V-Lock, straight	VAC13KS
<a href="#">Power Cord further types to KP (Outlet)</a>	...