



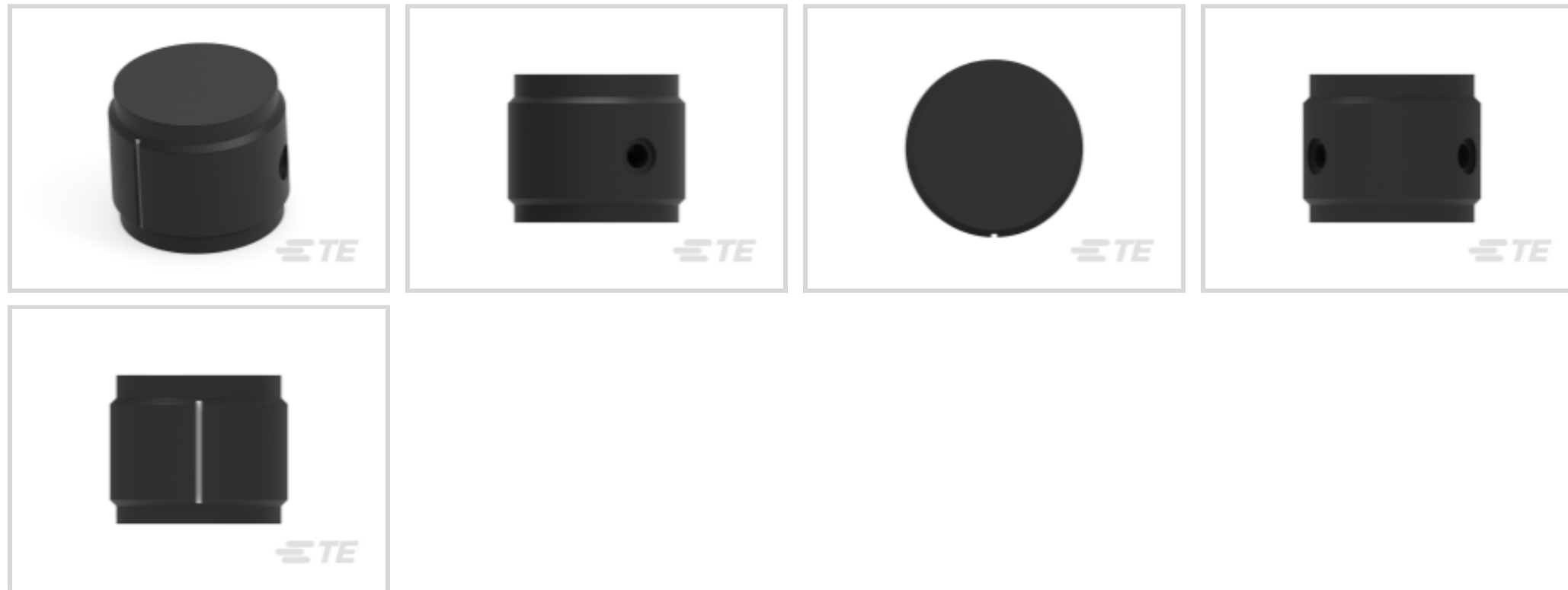
Alcoswitch

TE Internal #: 6-1437622-0

Switch Knobs, Aluminum, Straight Knurl Knob Design, 6.35 mm [.25 in] Shaft Size, Product Diameter 19.1 mm [.75 in], Black, Line

[View on TE.com >](#)

Switches > Switch Knobs



Primary Product Material: **Aluminum**

Knob Design: **Straight Knurl**

Shaft Size: **6.35 mm [.25 in]**

Product Diameter: **19.1 mm [.75 in]**

Primary Product Color: **Black**

**Features**

**Configuration Features**

Skirt	Without
Spinner	Without
Spin Plate	Without
Knob Design	Straight Knurl

**Body Features**

Primary Product Material	Aluminum
Primary Product Color	Black

**Dimensions**

Shaft Size	6.35 mm[.25 in]
Product Diameter	19.1 mm[.75 in]

**Identification Marking**

Indicator Style	Line
Indicator Location	Side



## Product Compliance

[For compliance documentation, visit the product page on TE.com>](#)

EU RoHS Directive 2011/65/EU	Compliant
EU ELV Directive 2000/53/EC	Out of Scope
China RoHS 2 Directive MIIT Order No 32, 2016	No Restricted Materials Above Threshold
EU REACH Regulation (EC) No. 1907/2006	Current ECHA Candidate List: JUNE 2024 (241) Candidate List Declared Against: JUNE 2024 (241) Does not contain REACH SVHC
Halogen Content	Low Halogen - Br, Cl, F, I < 900 ppm per homogenous material. Also BFR/CFR/PVC Free
Solder Process Capability	Not applicable for solder process capability

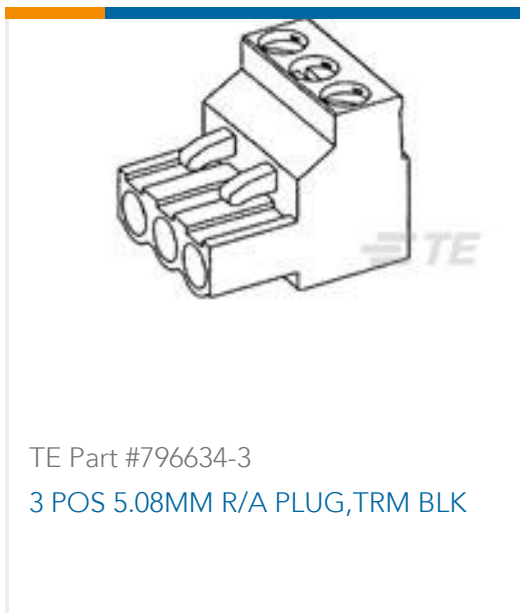
### Product Compliance Disclaimer

This information is provided based on reasonable inquiry of our suppliers and represents our current actual knowledge based on the information they provided. This information is subject to change. The part numbers that TE has identified as EU RoHS compliant have a maximum concentration of 0.1% by weight in homogenous materials for lead, hexavalent chromium, mercury, PBB, PBDE, DBP, BBP, DEHP, DIBP, and 0.01% for cadmium, or qualify for an exemption to these limits as defined in the Annexes of Directive 2011/65/EU (RoHS2). Finished electrical and electronic equipment products will be CE marked as required by Directive 2011/65/EU. Components may not be CE marked. Additionally, the part numbers that TE has identified as EU ELV compliant have a maximum concentration of 0.1% by weight in homogenous materials for lead, hexavalent chromium, and mercury, and 0.01% for cadmium, or qualify for an exemption to these limits as defined in the Annexes of Directive 2000/53/EC (ELV). Regarding the REACH Regulation, the information TE provides on SVHC in articles for this part number is based on the latest European Chemicals Agency (ECHA) 'Guidance on requirements for substances in articles' posted at this URL: <https://echa.europa.eu/guidance-documents/guidance-on-reach>

## Compatible Parts



## Customers Also Bought



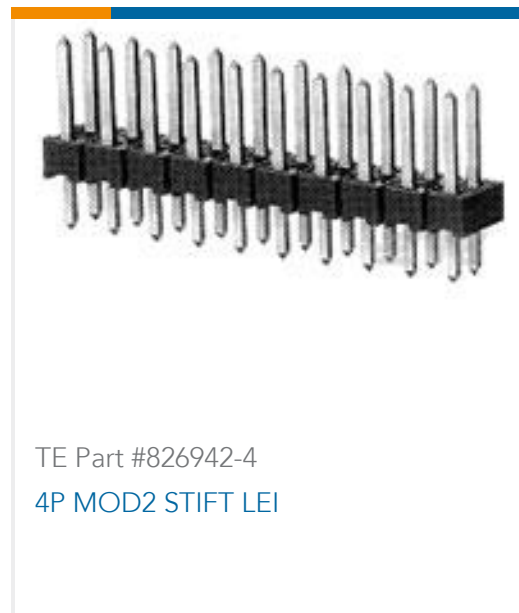
TE Part #796634-3  
3 POS 5.08MM R/A PLUG, TRM BLK



TE Part #1487594-1  
USB, A-B, 28/28, BLACK, 0.5M



TE Part #1-1625890-1  
2W SM M/OX 5% 150K



TE Part #826942-4  
4P MOD2 STIFT LEI



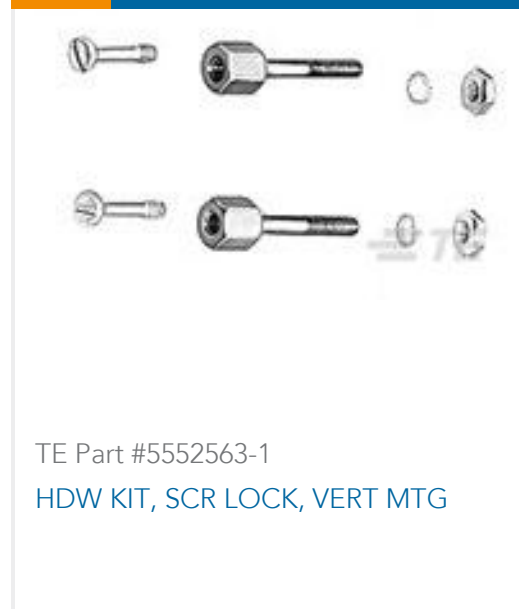
TE Part #2-320571-2  
PIDG R 22-16 COMM 22-18MIL 1/4



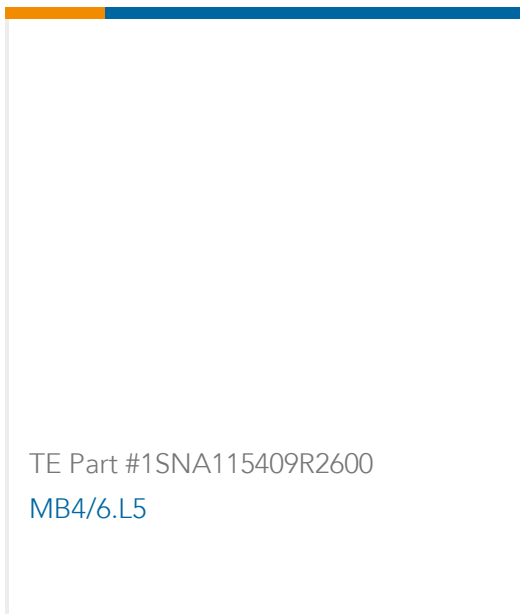
TE Part #F07599-000  
MP-508254-5-8A



TE Part #7-1437621-5  
KD700B1/4=KNOB BLK DIAMOND KNU



TE Part #5552563-1  
HDW KIT, SCR LOCK, VERT MTG



TE Part #1SNA115409R2600  
MB4/6.L5



TE Part #1-1393788-1  
V23079A1003B301

## Documents

### Product Drawings

[KN700B1/4=KNOB BLACK KNURL 1/4](#)

English

### CAD Files

Customer View Model

[ENG\\_CVM\\_CVM\\_6-1437622-0\\_D.3d\\_igs.zip](#)

English

Customer View Model

[ENG\\_CVM\\_CVM\\_6-1437622-0\\_D.3d\\_stp.zip](#)

English

Customer View Model

[ENG\\_CVM\\_CVM\\_6-1437622-0\\_D.2d\\_dxf.zip](#)

English

[3D PDF](#)

3D

By downloading the CAD file I accept and agree to the [Terms and Conditions](#) of use.