

Samsung eMMC Product family

eMMC 4.41 Specification compatibility

datasheet

SAMSUNG ELECTRONICS RESERVES THE RIGHT TO CHANGE PRODUCTS, INFORMATION AND SPECIFICATIONS WITHOUT NOTICE.

Products and specifications discussed herein are for reference purposes only. All information discussed herein is provided on an "AS IS" basis, without warranties of any kind.

This document and all information discussed herein remain the sole and exclusive property of Samsung Electronics. No license of any patent, copyright, mask work, trademark or any other intellectual property right is granted by one party to the other party under this document, by implication, estoppel or otherwise.

Samsung products are not intended for use in life support, critical care, medical, safety equipment, or similar applications where product failure could result in loss of life or personal or physical harm, or any military or defense application, or any governmental procurement to which special terms or provisions may apply.

For updates or additional information about Samsung products, contact your nearest Samsung office.

All brand names, trademarks and registered trademarks belong to their respective owners.

© 2011 Samsung Electronics Co., Ltd. All rights reserved.

Revision History

<u>Revision No.</u>	<u>History</u>	<u>Draft Date</u>	<u>Remark</u>	<u>Editor</u>
0.0	1. Initial issue	Jun. 01, 2011	Target	S.M.Lee
0.1	1. User Density Ratio & Part No. of 4GB are changed in Chapter1.0 2. Package Dimension(11.5mm x 13mm x 1.0mm) Typo is corrected. 3. Max. size of Boot Partition 1,2 and RPMB is changed in Table 28. 4. Typ. Standby Current of NAND is changed to 15uA per chip in Chapter 8.2	Aug. 05, 2011	Target	S.M.Lee
0.5	1. Engineering Sample 2. SEC_COUNT and MAX_ENH_SIZE_MULT are changed in Chapter 6.4 3. Max. Write Timeout is changed in Chapter 7.1 4. Wakeup Time from Sleep Mode is added in Chapter 5.1.6 5. Remarks of Init, Runtime bad block and remain reserved block per bank in Smart Report Output data are changed in Chapter 5.2.2	Sep. 01, 2011	Preliminary	S.M.Lee
1.0	1. Typo of Product Name Table is changed in Chapter 6.2.1 2. Performance is updated with measured value in Chapter 5.2.3 3. Read Latency after High Priority Interrupt and Typ. Value of Time Parameter are deleted in Chapter 7.1 4. Wakeup Time from APS Mode and Sleep Mode is deleted in Table 26 5. User Density(%) of 4GB is modified in Chapter 1.0	Oct. 12, 2011	Final	S.M.Lee

Revision History Appendix(0.1)

Before(ver.0.0)							After(ver.0.1)																																																																						
1.0 PRODUCT LIST							1.0 PRODUCT LIST																																																																						
Capacities	e-MMC Part ID	NAND Flash Type	User Density (%)	Power System	Package size	Pin Configuration	Capacities	e-MMC Part ID	NAND Flash Type	User Density (%)	Power System	Package size	Pin Configuration																																																																
4GB	KLM4G1FE3B-B003	32Gb MLC x 1	93.16%	- Interface power : VDD (1.70V ~ 1.95V or 2.7V ~ 3.6V)	11.5mm x 13mm x 1.0mm	153FBGA	4GB	KLM4G1FE3B-B001	32Gb MLC x 1	91.02%	- Interface power : VDD (1.70V ~ 1.95V or 2.7V ~ 3.6V)	11.5mm x 13mm x 1.0mm	153FBGA																																																																
8GB	KLM8G2FE3B-B001	32Gb MLC x 2	91.0%	- Memory power : VDDF (2.7V ~ 3.6V)	12mm x 16mm x 1.0mm	169FBGA	8GB	KLM8G2FE3B-B001	32Gb MLC x 2	91.0%	- Memory power : VDDF (2.7V ~ 3.6V)	12mm x 16mm x 1.0mm	169FBGA																																																																
16GB	KLM16G4FE3B-A001	32Gb MLC x 4	91.0%				16GB	KLM16G4FE3B-A001	32Gb MLC x 4	91.0%																																																																			
32GB	KLM32G8FE3B-A001	32Gb MLC x 8	91.0%				32GB	KLM32G8FE3B-A001	32Gb MLC x 8	91.0%																																																																			
3.1.1 11.5mm x 13mm x 1.0mm Package Dimension							3.1.1 11.5mm x 13mm x 1.0mm Package Dimension																																																																						
[Table 26] Boot and ack timing value and Initialization time							[Table 26] Boot and ack timing value and Initialization time																																																																						
<table border="1"> <thead> <tr> <th>Timing Factor</th> <th>Value</th> </tr> </thead> <tbody> <tr> <td>(1) Boot ACK Time</td> <td>< 50 ms</td> </tr> <tr> <td>(2) Boot Data Time</td> <td>< 60 ms</td> </tr> <tr> <td>(3) Initialization Time*</td> <td>< 200ms</td> </tr> </tbody> </table>							Timing Factor	Value	(1) Boot ACK Time	< 50 ms	(2) Boot Data Time	< 60 ms	(3) Initialization Time*	< 200ms	<table border="1"> <thead> <tr> <th>Timing Factor</th> <th>Value</th> </tr> </thead> <tbody> <tr> <td>(1) Boot ACK Time</td> <td>< 50 ms</td> </tr> <tr> <td>(2) Boot Data Time</td> <td>< 60 ms</td> </tr> <tr> <td>(3) Initialization Time*</td> <td>< 200ms</td> </tr> </tbody> </table>							Timing Factor	Value	(1) Boot ACK Time	< 50 ms	(2) Boot Data Time	< 60 ms	(3) Initialization Time*	< 200ms																																																
Timing Factor	Value																																																																												
(1) Boot ACK Time	< 50 ms																																																																												
(2) Boot Data Time	< 60 ms																																																																												
(3) Initialization Time*	< 200ms																																																																												
Timing Factor	Value																																																																												
(1) Boot ACK Time	< 50 ms																																																																												
(2) Boot Data Time	< 60 ms																																																																												
(3) Initialization Time*	< 200ms																																																																												
* Definition of Initialization Time : CMD0 - CMD1 busy bit clearing time Minimum function for reading boot data is initialized during boot time and after that full function is initialized during initialization time.							* Definition of Initialization Time : CMD0 - CMD1 busy bit clearing time after power up. For Initialization Time after partition setion setting, refer to INI_TIMEOUT_AP in 6.4 Extended CSD register.																																																																						
[Table 28] Capacity according to partition							[Table 28] Capacity according to partition																																																																						
<table border="1"> <thead> <tr> <th rowspan="2">Density</th> <th rowspan="2">Min.</th> <th>Boot partition 1</th> <th>Boot partition 2</th> <th>RPMB</th> </tr> </thead> <tbody> <tr> <td>4GB</td> <td>1,024KB</td> <td>1,024KB</td> <td>128KB</td> </tr> <tr> <td rowspan="2">MLC</td> <td rowspan="2">Max.</td> <td>31,744KB</td> <td>31,744KB</td> <td>32,640KB</td> </tr> <tr> <td>8GB, 16GB, 32GB</td> <td>2,048KB</td> <td>2,048KB</td> <td>128KB</td> </tr> <tr> <td rowspan="2"></td> <td rowspan="2">Max.</td> <td>30,720KB</td> <td>30,720KB</td> <td>32,640KB</td> </tr> </tbody> </table>							Density	Min.	Boot partition 1	Boot partition 2	RPMB	4GB	1,024KB	1,024KB	128KB	MLC	Max.	31,744KB	31,744KB	32,640KB	8GB, 16GB, 32GB	2,048KB	2,048KB	128KB		Max.	30,720KB	30,720KB	32,640KB	<table border="1"> <thead> <tr> <th rowspan="2">Density</th> <th rowspan="2">Min.</th> <th>Boot partition 1</th> <th>Boot partition 2</th> <th>RPMB</th> </tr> </thead> <tbody> <tr> <td>4GB</td> <td>1,024KB</td> <td>1,024KB</td> <td>128KB</td> </tr> <tr> <td rowspan="2">MLC</td> <td rowspan="2">Max.</td> <td>16,384KB</td> <td>16,384KB</td> <td>4,096KB</td> </tr> <tr> <td>8GB, 16GB, 32GB</td> <td>2,048KB</td> <td>2,048KB</td> <td>128KB</td> </tr> <tr> <td rowspan="2"></td> <td rowspan="2">Max.</td> <td>16,384KB</td> <td>16,384KB</td> <td>4,096KB</td> </tr> </tbody> </table>							Density	Min.	Boot partition 1	Boot partition 2	RPMB	4GB	1,024KB	1,024KB	128KB	MLC	Max.	16,384KB	16,384KB	4,096KB	8GB, 16GB, 32GB	2,048KB	2,048KB	128KB		Max.	16,384KB	16,384KB	4,096KB																		
Density	Min.	Boot partition 1	Boot partition 2	RPMB																																																																									
		4GB	1,024KB	1,024KB	128KB																																																																								
MLC	Max.	31,744KB	31,744KB	32,640KB																																																																									
		8GB, 16GB, 32GB	2,048KB	2,048KB	128KB																																																																								
	Max.	30,720KB	30,720KB	32,640KB																																																																									
		Density	Min.	Boot partition 1	Boot partition 2	RPMB																																																																							
4GB	1,024KB			1,024KB	128KB																																																																								
MLC	Max.	16,384KB	16,384KB	4,096KB																																																																									
		8GB, 16GB, 32GB	2,048KB	2,048KB	128KB																																																																								
	Max.	16,384KB	16,384KB	4,096KB																																																																									
		*Page Mapping is applied so that Max. Boot Partition and RPMB size are changed from 32MB to current values in order to cover a variety of user densities.																																																																											
[Table 29] Maximum Enhanced Partition Size							[Table 29] Maximum Enhanced Partition Size																																																																						
<table border="1"> <thead> <tr> <th>Device</th> <th>Max. Enhanced Partition Size</th> </tr> </thead> <tbody> <tr> <td>4 GB</td> <td>2,000,683,008 Bytes</td> </tr> <tr> <td>8 GB</td> <td>3,909,091,328 Bytes</td> </tr> <tr> <td>16 GB</td> <td>7,809,794,048 Bytes</td> </tr> <tr> <td>32 GB</td> <td>15,627,976,704 Bytes</td> </tr> </tbody> </table>							Device	Max. Enhanced Partition Size	4 GB	2,000,683,008 Bytes	8 GB	3,909,091,328 Bytes	16 GB	7,809,794,048 Bytes	32 GB	15,627,976,704 Bytes	<table border="1"> <thead> <tr> <th>Device</th> <th>Max. Enhanced Partition Size</th> </tr> </thead> <tbody> <tr> <td>4 GB</td> <td>1,954,545,664 Bytes</td> </tr> <tr> <td>8 GB</td> <td>3,909,091,328 Bytes</td> </tr> <tr> <td>16 GB</td> <td>7,809,794,048 Bytes</td> </tr> <tr> <td>32 GB</td> <td>15,627,976,704 Bytes</td> </tr> </tbody> </table>							Device	Max. Enhanced Partition Size	4 GB	1,954,545,664 Bytes	8 GB	3,909,091,328 Bytes	16 GB	7,809,794,048 Bytes	32 GB	15,627,976,704 Bytes																																												
Device	Max. Enhanced Partition Size																																																																												
4 GB	2,000,683,008 Bytes																																																																												
8 GB	3,909,091,328 Bytes																																																																												
16 GB	7,809,794,048 Bytes																																																																												
32 GB	15,627,976,704 Bytes																																																																												
Device	Max. Enhanced Partition Size																																																																												
4 GB	1,954,545,664 Bytes																																																																												
8 GB	3,909,091,328 Bytes																																																																												
16 GB	7,809,794,048 Bytes																																																																												
32 GB	15,627,976,704 Bytes																																																																												
[Table 30] User Density Size							[Table 30] User Density Size																																																																						
<table border="1"> <thead> <tr> <th>Device</th> <th>User Density Size</th> </tr> </thead> <tbody> <tr> <td>4 GB</td> <td>4,001,306,016 Bytes</td> </tr> <tr> <td>8 GB</td> <td>7,818,182,656 Bytes</td> </tr> <tr> <td>16 GB</td> <td>15,634,268,160 Bytes</td> </tr> <tr> <td>32 GB</td> <td>31,268,536,320 Bytes</td> </tr> </tbody> </table>							Device	User Density Size	4 GB	4,001,306,016 Bytes	8 GB	7,818,182,656 Bytes	16 GB	15,634,268,160 Bytes	32 GB	31,268,536,320 Bytes	<table border="1"> <thead> <tr> <th>Device</th> <th>User Density Size</th> </tr> </thead> <tbody> <tr> <td>4 GB</td> <td>3,909,091,328 Bytes</td> </tr> <tr> <td>8 GB</td> <td>7,818,182,656 Bytes</td> </tr> <tr> <td>16 GB</td> <td>15,634,268,160 Bytes</td> </tr> <tr> <td>32 GB</td> <td>31,268,536,320 Bytes</td> </tr> </tbody> </table>							Device	User Density Size	4 GB	3,909,091,328 Bytes	8 GB	7,818,182,656 Bytes	16 GB	15,634,268,160 Bytes	32 GB	31,268,536,320 Bytes																																												
Device	User Density Size																																																																												
4 GB	4,001,306,016 Bytes																																																																												
8 GB	7,818,182,656 Bytes																																																																												
16 GB	15,634,268,160 Bytes																																																																												
32 GB	31,268,536,320 Bytes																																																																												
Device	User Density Size																																																																												
4 GB	3,909,091,328 Bytes																																																																												
8 GB	7,818,182,656 Bytes																																																																												
16 GB	15,634,268,160 Bytes																																																																												
32 GB	31,268,536,320 Bytes																																																																												
6.4 Extended CSD Register							6.4 Extended CSD Register																																																																						
<table border="1"> <thead> <tr> <th rowspan="2">Name</th> <th rowspan="2">Field</th> <th rowspan="2">Size (Bytes)</th> <th rowspan="2">Cell Type</th> <th rowspan="2">CSD slice</th> <th colspan="4">CSD Value</th> </tr> <tr> <th>4GB</th> <th>8GB</th> <th>16GB</th> <th>32GB</th> </tr> </thead> <tbody> <tr> <td>Sector Count</td> <td>SEC_COUNT</td> <td>4</td> <td>R</td> <td>[215:212]</td> <td>0x748000</td> <td>0xE90000</td> <td>0x1D1F000</td> <td>0x3A3E000</td> </tr> <tr> <td>Max Enhanced Area Size</td> <td>MAX_ENH_SIZE_MULT</td> <td>3</td> <td>R</td> <td>[159:157]</td> <td>0x1D2</td> <td>0x1D2</td> <td>0x3A3</td> <td>0x747</td> </tr> </tbody> </table>							Name	Field	Size (Bytes)	Cell Type	CSD slice	CSD Value				4GB	8GB	16GB	32GB	Sector Count	SEC_COUNT	4	R	[215:212]	0x748000	0xE90000	0x1D1F000	0x3A3E000	Max Enhanced Area Size	MAX_ENH_SIZE_MULT	3	R	[159:157]	0x1D2	0x1D2	0x3A3	0x747	<table border="1"> <thead> <tr> <th rowspan="2">Name</th> <th rowspan="2">Field</th> <th rowspan="2">Size (Bytes)</th> <th rowspan="2">Cell Type</th> <th rowspan="2">CSD slice</th> <th colspan="4">CSD Value</th> </tr> <tr> <th>4GB</th> <th>8GB</th> <th>16GB</th> <th>32GB</th> </tr> </thead> <tbody> <tr> <td>Sector Count</td> <td>SEC_COUNT</td> <td>4</td> <td>R</td> <td>[215:212]</td> <td>0x748000</td> <td>0xE90000</td> <td>0x1D1F000</td> <td>0x3A3E000</td> </tr> <tr> <td>Max Enhanced Area Size</td> <td>MAX_ENH_SIZE_MULT</td> <td>3</td> <td>R</td> <td>[159:157]</td> <td>0x1D2</td> <td>0x1D2</td> <td>0x3A3</td> <td>0x747</td> </tr> </tbody> </table>							Name	Field	Size (Bytes)	Cell Type	CSD slice	CSD Value				4GB	8GB	16GB	32GB	Sector Count	SEC_COUNT	4	R	[215:212]	0x748000	0xE90000	0x1D1F000	0x3A3E000	Max Enhanced Area Size	MAX_ENH_SIZE_MULT	3	R	[159:157]	0x1D2	0x1D2	0x3A3	0x747		
Name	Field	Size (Bytes)	Cell Type	CSD slice	CSD Value																																																																								
					4GB	8GB	16GB	32GB																																																																					
Sector Count	SEC_COUNT	4	R	[215:212]	0x748000	0xE90000	0x1D1F000	0x3A3E000																																																																					
Max Enhanced Area Size	MAX_ENH_SIZE_MULT	3	R	[159:157]	0x1D2	0x1D2	0x3A3	0x747																																																																					
Name	Field	Size (Bytes)	Cell Type	CSD slice	CSD Value																																																																								
					4GB	8GB	16GB	32GB																																																																					
Sector Count	SEC_COUNT	4	R	[215:212]	0x748000	0xE90000	0x1D1F000	0x3A3E000																																																																					
Max Enhanced Area Size	MAX_ENH_SIZE_MULT	3	R	[159:157]	0x1D2	0x1D2	0x3A3	0x747																																																																					
8.2 Standby Power Consumption in auto power saving mode and standby state.							8.2 Standby Power Consumption in auto power saving mode and standby state.																																																																						
<table border="1"> <thead> <tr> <th rowspan="2">Density</th> <th rowspan="2">NAND Type</th> <th colspan="2">CTRL</th> <th colspan="2">NAND</th> <th rowspan="2">Unit</th> </tr> <tr> <th>25°C(Typ)</th> <th>85°C</th> <th>25°C(Typ)</th> <th>85°C</th> </tr> </thead> <tbody> <tr> <td>4GB</td> <td>32Gb MLC x 1</td> <td></td> <td></td> <td>10</td> <td>50</td> <td rowspan="4">µA</td> </tr> <tr> <td>8GB</td> <td>32Gb MLC x 2</td> <td rowspan="4">100</td> <td rowspan="4">250</td> <td>20</td> <td>100</td> </tr> <tr> <td>16GB</td> <td>32Gb MLC x 4</td> <td>40</td> <td>200</td> </tr> <tr> <td>32GB</td> <td>32Gb MLC x 8</td> <td>80</td> <td>400</td> </tr> </tbody> </table>							Density	NAND Type	CTRL		NAND		Unit	25°C(Typ)	85°C	25°C(Typ)	85°C	4GB	32Gb MLC x 1			10	50	µA	8GB	32Gb MLC x 2	100	250	20	100	16GB	32Gb MLC x 4	40	200	32GB	32Gb MLC x 8	80	400	<table border="1"> <thead> <tr> <th rowspan="2">Density</th> <th rowspan="2">NAND Type</th> <th colspan="2">CTRL</th> <th colspan="2">NAND</th> <th rowspan="2">Unit</th> </tr> <tr> <th>25°C(Typ)</th> <th>85°C</th> <th>25°C(Typ)</th> <th>85°C</th> </tr> </thead> <tbody> <tr> <td>4GB</td> <td>32Gb MLC x 1</td> <td></td> <td></td> <td>15</td> <td>50</td> <td rowspan="4">µA</td> </tr> <tr> <td>8GB</td> <td>32Gb MLC x 2</td> <td rowspan="4">100</td> <td rowspan="4">250</td> <td>30</td> <td>100</td> </tr> <tr> <td>16GB</td> <td>32Gb MLC x 4</td> <td>60</td> <td>200</td> </tr> <tr> <td>32GB</td> <td>32Gb MLC x 8</td> <td>120</td> <td>400</td> </tr> </tbody> </table>							Density	NAND Type	CTRL		NAND		Unit	25°C(Typ)	85°C	25°C(Typ)	85°C	4GB	32Gb MLC x 1			15	50	µA	8GB	32Gb MLC x 2	100	250	30	100	16GB	32Gb MLC x 4	60	200	32GB	32Gb MLC x 8	120	400
Density	NAND Type	CTRL		NAND		Unit																																																																							
		25°C(Typ)	85°C	25°C(Typ)	85°C																																																																								
4GB	32Gb MLC x 1			10	50	µA																																																																							
8GB	32Gb MLC x 2	100	250	20	100																																																																								
16GB	32Gb MLC x 4			40	200																																																																								
32GB	32Gb MLC x 8			80	400																																																																								
Density	NAND Type			CTRL		NAND		Unit																																																																					
		25°C(Typ)	85°C	25°C(Typ)	85°C																																																																								
4GB	32Gb MLC x 1			15	50	µA																																																																							
8GB	32Gb MLC x 2	100	250	30	100																																																																								
16GB	32Gb MLC x 4			60	200																																																																								
32GB	32Gb MLC x 8			120	400																																																																								



Revision History Appendix(0.5)

Before(ver.0.1)	After(ver.0.5)																
<p>[Table 26] Boot and ack timing value and Initialization time</p> <table border="1"> <thead> <tr> <th>Timing Factor</th> <th>Value</th> </tr> </thead> <tbody> <tr> <td>(1) Boot ACK Time</td> <td>< 50 ms</td> </tr> <tr> <td>(2) Boot Data Time</td> <td>< 60 ms</td> </tr> <tr> <td>(3) Initialization Time*</td> <td>< 200ms</td> </tr> </tbody> </table> <p>* Definition of Initialization Time : CMD0 - CMD1 busy bit clearing time after power up. For Initialization Time after partition setting, refer to INI_TIMEOUT_AP in 6.4 Extended CSD register.</p>	Timing Factor	Value	(1) Boot ACK Time	< 50 ms	(2) Boot Data Time	< 60 ms	(3) Initialization Time*	< 200ms	<p>[Table 26] Boot and ack timing value and Initialization time]</p> <table border="1"> <thead> <tr> <th>Timing Factor</th> <th>Value</th> </tr> </thead> <tbody> <tr> <td>(1) Boot ACK Time</td> <td>< 50 ms</td> </tr> <tr> <td>(2) Boot Data Time</td> <td>< 60 ms</td> </tr> <tr> <td>(3) Initialization Time*</td> <td>< 200ms</td> </tr> </tbody> </table> <p>* Definition of Initialization Time : CMD0 - CMD1 busy bit clearing time after power up. For Initialization Time after partition setting, refer to INI_TIMEOUT_AP in 6.4 Extended CSD register.</p> <p>Minimum function for reading boot data is initialized during boot time and after that full function is initialized during initialization time.</p>	Timing Factor	Value	(1) Boot ACK Time	< 50 ms	(2) Boot Data Time	< 60 ms	(3) Initialization Time*	< 200ms
Timing Factor	Value																
(1) Boot ACK Time	< 50 ms																
(2) Boot Data Time	< 60 ms																
(3) Initialization Time*	< 200ms																
Timing Factor	Value																
(1) Boot ACK Time	< 50 ms																
(2) Boot Data Time	< 60 ms																
(3) Initialization Time*	< 200ms																

[Table 32] Auto Power Saving Mode and Sleep Mode			[Table 32] Auto Power Saving Mode and Sleep Mode		
	Auto Power Saving Mode	Sleep Mode		Auto Power Saving Mode	Sleep Mode
NAND Power	ON	OFF	NAND Power	ON	OFF
GotoSleep Time	< 1ms	< 1ms	GotoSleep Time	< 1ms	< 1ms
Wakeup Time	< 500ns	TBD	Wakeup Time	< 500ns	< 15ms

5.2.2 Smart Report Output Data (For Customer)				5.2.2 Smart Report Output Data (For Customer)			
Data Slice	Field	Width	Remark	Data Slice	Field	Width	Remark
[3:0]	Error Mode	4 bytes	Normal : 0x02D2D2D2, OpenFatalError : 0x37373737, RuntimeFatalError : 0x5C5C5C5C, MetaBrokenError : 0xE1E1E1E1 * In case of open error, other fields are not valid.	[3:0]	Error Mode	4 bytes	Normal : 0x02D2D2D2, OpenFatalError : 0x37373737, RuntimeFatalError : 0x5C5C5C5C, MetaBrokenError : 0xE1E1E1E1 * In case of open error, other fields are not valid.
[7:4]	Super Block Size	4 bytes	Total Size(n byte) of simultaneously erasable physical blocks (e.g., Number of Channel * N-way Interleaving * physical block size)	[7:4]	Super Block Size	4 bytes	Total Size(n byte) of simultaneously erasable physical blocks (e.g., Number of Channel * N-way Interleaving * physical block size)
[11:8]	Super Page Size	4 bytes	Total Size(n byte) of simultaneously programmable physical pages (e.g., Number of Channel * physical page size)	[11:8]	Super Page Size	4 bytes	Total Size(n byte) of simultaneously programmable physical pages (e.g., Number of Channel * physical page size)
[15:12]	Optimal Write Size	4 bytes	Write size(n byte) at which the device performs best (e.g., Super Page Size * N-way Interleaving)	[15:12]	Optimal Write Size	4 bytes	Write size(n byte) at which the device performs best (e.g., Super Page Size * N-way Interleaving)
[19:16]	Number Of Banks	4 bytes	Number of banks connecting to each NAND flash. Bad blocks are managed by each banks.	[19:16]	Number Of Banks	4 bytes	Number of banks connecting to each NAND flash. Bad blocks are managed by each banks.
[23:20]	Bank0 Init Bad Block	4 bytes	Number of initial defective physical blocks in Bank0	[23:20]	Bank0 Init Bad Block	4 bytes	0
[27:24]	Bank0 Runtime Bad Block	4 bytes	Number of runtime defective physical blocks in Bank0	[27:24]	Bank0 Init and Runtime Bad Block	4 bytes	Number of Init and Runtime defective physical blocks of plane which has the least remaining blocks in Bank0
[31:28]	Bank0 remain reserved Block	4 bytes	Number of remain reserved physical blocks in Bank0	[31:28]	Bank0 remain reserved Block	4 bytes	Number of remain reserved physical blocks of plane which has the least remaining blocks in Bank0
[35:32]	Bank1 Init Bad Block	4 bytes	Number of initial defective physical blocks in Bank1	[35:32]	Bank1 Init Bad Block	4 bytes	0
[39:36]	Bank1 Runtime Bad Block	4 bytes	Number of runtime defective physical blocks in Bank1	[39:36]	Bank1 Init and Runtime Bad Block	4 bytes	Number of Init and Runtime defective physical blocks of plane which has the least remaining blocks in Bank1
[43:40]	Bank1 remain reserved Block	4 bytes	Number of remain reserved physical blocks in Bank1	[43:40]	Bank1 remain reserved Block	4 bytes	Number of remain reserved physical blocks of plane which has the least remaining blocks in Bank1
[47:44]	Bank2 Init Bad Block	4 bytes	Number of initial defective physical blocks in Bank2	[47:44]	Bank2 Init Bad Block	4 bytes	0
[51:48]	Bank2 Runtime Bad Block	4 bytes	Number of runtime defective physical blocks in Bank2	[51:48]	Bank2 Init and Runtime Bad Block	4 bytes	Number of Init and Runtime defective physical blocks of plane which has the least remaining blocks in Bank2
[55:52]	Bank2 remain reserved Block	4 bytes	Number of remain reserved physical blocks in Bank2	[55:52]	Bank2 remain reserved Block	4 bytes	Number of remain reserved physical blocks of plane which has the least remaining blocks in Bank2
[59:56]	Bank3 Init Bad Block	4 bytes	Number of initial defective physical blocks in Bank3	[59:56]	Bank3 Init Bad Block	4 bytes	0
[63:60]	Bank3 Runtime Bad Block	4 bytes	Number of runtime defective physical blocks in Bank3	[63:60]	Bank3 Init and Runtime Bad Block	4 bytes	Number of Init and Runtime defective physical blocks of plane which has the least remaining blocks in Bank3
[67:64]	Bank3 Reserved Block	4 bytes	Number of reserved physical blocks in Bank3	[67:64]	Bank3 Reserved Block	4 bytes	Number of remain reserved physical blocks of plane which has the least remaining blocks in Bank3
[71:68]	Max. Erase Count	4 bytes	Maximum erase count from among all physical blocks	[71:68]	Max. Erase Count	4 bytes	Maximum erase count from among all physical blocks
[75:72]	Min. Erase Count	4 bytes	Minimum erase count from among all physical blocks	[75:72]	Min. Erase Count	4 bytes	Minimum erase count from among all physical blocks
[79:76]	Avg. Erase Count	4 bytes	Average erase count of all physical blocks	[79:76]	Avg. Erase Count	4 bytes	Average erase count of all physical blocks
[83:80]	Read Reclaim cnt	4 bytes	Number of Read Reclaim Count	[83:80]	Read Reclaim cnt	4 bytes	Number of Read Reclaim Count
[87:84]	Optimal Trim Size	4 bytes	Optimal Trim size	[87:84]	Optimal Trim Size	4 bytes	Optimal Trim size
[119:88]	Hash Code	32 Byte	Hash Code	[119:88]	Hash Code	32 Byte	Hash Code
[123:120]	Max. Erase Count (SLC)	4 bytes	Maximum erase count from among all SLC physical blocks	[123:120]	Max. Erase Count (SLC)	4 bytes	Maximum erase count from among all SLC physical blocks
[127:124]	Min. Erase Count (SLC)	4 bytes	Minimum erase count from among all SLC physical blocks	[127:124]	Min. Erase Count (SLC)	4 bytes	Minimum erase count from among all SLC physical blocks
[131:128]	Avg. Erase Count (SLC)	4 bytes	Average erase count of all SLC physical blocks	[131:128]	Avg. Erase Count (SLC)	4 bytes	Average erase count of all SLC physical blocks
[135:132]	Max. Erase Count (MLC)	4 bytes	Maximum erase count from among all MLC physical blocks	[135:132]	Max. Erase Count (MLC)	4 bytes	Maximum erase count from among all MLC physical blocks
[139:136]	Min. Erase Count (MLC)	4 bytes	Minimum erase count from among all MLC physical blocks	[139:136]	Min. Erase Count (MLC)	4 bytes	Minimum erase count from among all MLC physical blocks
[143:140]	Avg. Erase Count (MLC)	4 bytes	Average erase count of all MLC physical blocks	[143:140]	Avg. Erase Count (MLC)	4 bytes	Average erase count of all MLC physical blocks
[511:144]	Reserved			[511:144]	Reserved		

6.4 Extended CSD Register									6.4 Extended CSD Register								
Name	Field	Size (Bytes)	Cell Type	CSD slice	CSD Value				Name	Field	Size (Bytes)	Cell Type	CSD slice	CSD Value			
					4GB	8GB	16GB	32GB						4GB	8GB	16GB	32GB
Sector Count	SEC_COUNT	4	R	[215:212]	0x760000	0xE68000	0x1D5A000	0x3BA0000	Sector Count	SEC_COUNT	4	R	[215:212]	0x748000	0xE90000	0x1D1F000	0x3A3E000
Max Enhanced Area Size	MAX_ENH_SIZE_MULT	3	R	[159:157]	0x1D8	0x1CD	0x3A3	0x774	Max Enhanced Area Size	MAX_ENH_SIZE_MULT	3	R	[159:157]	0x1D2	0x1D2	0x3A3	0x747

7.1 Time Parameter			7.1 Time Parameter		
Timing Parameter	Max.(Time Out Condition)	Typ.	Timing Parameter	Max.(Time Out Condition)	Typ.
Initialization Time (tINIT)	1s	-	Initialization Time (tINIT)	1s	-
Read Timeout	100ms	-	Read Timeout	100ms	-
Write Timeout	300ms	-	Write Timeout	350ms	-



Revision History Appendix(1.0)

Before(ver.0.5)	After(ver.1.0)																																																																						
<p>1.0 PRODUCT LIST</p> <table border="1"> <thead> <tr> <th>Capacities</th> <th>e-MMC Part ID</th> <th>NAND Flash Type</th> <th>User Density (%)</th> <th>Power System</th> <th>Package size</th> <th>Pin Configuration</th> </tr> </thead> <tbody> <tr> <td>4GB</td> <td>KLM4G1FE3B-B001</td> <td>32Gb MLC x 1</td> <td>91.02%</td> <td>- Interface power: VDD (1.70V ~ 1.95V) - Memory power: VDDF (2.7V ~ 3.6V)</td> <td>11.5mm x 13mm x 1.0mm</td> <td>153FBGA</td> </tr> <tr> <td>8GB</td> <td>KLM8G2FE3B-B001</td> <td>32Gb MLC x 2</td> <td>91.0%</td> <td>- Interface power: VDD (1.70V ~ 1.95V) - Memory power: VDDF (2.7V ~ 3.6V)</td> <td>12mm x 16mm x 1.0mm</td> <td>169FBGA</td> </tr> <tr> <td>16GB</td> <td>KLMAG4FE3B-A001</td> <td>32Gb MLC x 4</td> <td>91.0%</td> <td>- Interface power: VDD (1.70V ~ 1.95V) - Memory power: VDDF (2.7V ~ 3.6V)</td> <td>12mm x 16mm x 1.2mm</td> <td>169FBGA</td> </tr> <tr> <td>32GB</td> <td>KLMBG8FE3B-A001</td> <td>32Gb MLC x 8</td> <td>91.0%</td> <td>- Interface power: VDD (1.70V ~ 1.95V) - Memory power: VDDF (2.7V ~ 3.6V)</td> <td>12mm x 16mm x 1.2mm</td> <td>169FBGA</td> </tr> </tbody> </table>	Capacities	e-MMC Part ID	NAND Flash Type	User Density (%)	Power System	Package size	Pin Configuration	4GB	KLM4G1FE3B-B001	32Gb MLC x 1	91.02%	- Interface power: VDD (1.70V ~ 1.95V) - Memory power: VDDF (2.7V ~ 3.6V)	11.5mm x 13mm x 1.0mm	153FBGA	8GB	KLM8G2FE3B-B001	32Gb MLC x 2	91.0%	- Interface power: VDD (1.70V ~ 1.95V) - Memory power: VDDF (2.7V ~ 3.6V)	12mm x 16mm x 1.0mm	169FBGA	16GB	KLMAG4FE3B-A001	32Gb MLC x 4	91.0%	- Interface power: VDD (1.70V ~ 1.95V) - Memory power: VDDF (2.7V ~ 3.6V)	12mm x 16mm x 1.2mm	169FBGA	32GB	KLMBG8FE3B-A001	32Gb MLC x 8	91.0%	- Interface power: VDD (1.70V ~ 1.95V) - Memory power: VDDF (2.7V ~ 3.6V)	12mm x 16mm x 1.2mm	169FBGA	<p>1.0 PRODUCT LIST</p> <table border="1"> <thead> <tr> <th>Capacities</th> <th>e-MMC Part ID</th> <th>NAND Flash Type</th> <th>User Density (%)</th> <th>Power System</th> <th>Package size</th> <th>Pin Configuration</th> </tr> </thead> <tbody> <tr> <td>4GB</td> <td>KLM4G1FE3B-B001</td> <td>32Gb MLC x 1</td> <td>91.0%</td> <td>- Interface power: VDD (1.70V ~ 1.95V) - Memory power: VDDF (2.7V ~ 3.6V)</td> <td>11.5mm x 13mm x 1.0mm</td> <td>153FBGA</td> </tr> <tr> <td>8GB</td> <td>KLM8G2FE3B-B001</td> <td>32Gb MLC x 2</td> <td>91.0%</td> <td>- Interface power: VDD (1.70V ~ 1.95V) - Memory power: VDDF (2.7V ~ 3.6V)</td> <td>12mm x 16mm x 1.0mm</td> <td>169FBGA</td> </tr> <tr> <td>16GB</td> <td>KLMAG4FE3B-A001</td> <td>32Gb MLC x 4</td> <td>91.0%</td> <td>- Interface power: VDD (1.70V ~ 1.95V) - Memory power: VDDF (2.7V ~ 3.6V)</td> <td>12mm x 16mm x 1.0mm</td> <td>169FBGA</td> </tr> <tr> <td>32GB</td> <td>KLMBG8FE3B-A001</td> <td>32Gb MLC x 8</td> <td>91.0%</td> <td>- Interface power: VDD (1.70V ~ 1.95V) - Memory power: VDDF (2.7V ~ 3.6V)</td> <td>12mm x 16mm x 1.2mm</td> <td>169FBGA</td> </tr> </tbody> </table>	Capacities	e-MMC Part ID	NAND Flash Type	User Density (%)	Power System	Package size	Pin Configuration	4GB	KLM4G1FE3B-B001	32Gb MLC x 1	91.0%	- Interface power: VDD (1.70V ~ 1.95V) - Memory power: VDDF (2.7V ~ 3.6V)	11.5mm x 13mm x 1.0mm	153FBGA	8GB	KLM8G2FE3B-B001	32Gb MLC x 2	91.0%	- Interface power: VDD (1.70V ~ 1.95V) - Memory power: VDDF (2.7V ~ 3.6V)	12mm x 16mm x 1.0mm	169FBGA	16GB	KLMAG4FE3B-A001	32Gb MLC x 4	91.0%	- Interface power: VDD (1.70V ~ 1.95V) - Memory power: VDDF (2.7V ~ 3.6V)	12mm x 16mm x 1.0mm	169FBGA	32GB	KLMBG8FE3B-A001	32Gb MLC x 8	91.0%	- Interface power: VDD (1.70V ~ 1.95V) - Memory power: VDDF (2.7V ~ 3.6V)	12mm x 16mm x 1.2mm	169FBGA
Capacities	e-MMC Part ID	NAND Flash Type	User Density (%)	Power System	Package size	Pin Configuration																																																																	
4GB	KLM4G1FE3B-B001	32Gb MLC x 1	91.02%	- Interface power: VDD (1.70V ~ 1.95V) - Memory power: VDDF (2.7V ~ 3.6V)	11.5mm x 13mm x 1.0mm	153FBGA																																																																	
8GB	KLM8G2FE3B-B001	32Gb MLC x 2	91.0%	- Interface power: VDD (1.70V ~ 1.95V) - Memory power: VDDF (2.7V ~ 3.6V)	12mm x 16mm x 1.0mm	169FBGA																																																																	
16GB	KLMAG4FE3B-A001	32Gb MLC x 4	91.0%	- Interface power: VDD (1.70V ~ 1.95V) - Memory power: VDDF (2.7V ~ 3.6V)	12mm x 16mm x 1.2mm	169FBGA																																																																	
32GB	KLMBG8FE3B-A001	32Gb MLC x 8	91.0%	- Interface power: VDD (1.70V ~ 1.95V) - Memory power: VDDF (2.7V ~ 3.6V)	12mm x 16mm x 1.2mm	169FBGA																																																																	
Capacities	e-MMC Part ID	NAND Flash Type	User Density (%)	Power System	Package size	Pin Configuration																																																																	
4GB	KLM4G1FE3B-B001	32Gb MLC x 1	91.0%	- Interface power: VDD (1.70V ~ 1.95V) - Memory power: VDDF (2.7V ~ 3.6V)	11.5mm x 13mm x 1.0mm	153FBGA																																																																	
8GB	KLM8G2FE3B-B001	32Gb MLC x 2	91.0%	- Interface power: VDD (1.70V ~ 1.95V) - Memory power: VDDF (2.7V ~ 3.6V)	12mm x 16mm x 1.0mm	169FBGA																																																																	
16GB	KLMAG4FE3B-A001	32Gb MLC x 4	91.0%	- Interface power: VDD (1.70V ~ 1.95V) - Memory power: VDDF (2.7V ~ 3.6V)	12mm x 16mm x 1.0mm	169FBGA																																																																	
32GB	KLMBG8FE3B-A001	32Gb MLC x 8	91.0%	- Interface power: VDD (1.70V ~ 1.95V) - Memory power: VDDF (2.7V ~ 3.6V)	12mm x 16mm x 1.2mm	169FBGA																																																																	
<p>5.2.3 Performance</p> <table border="1"> <thead> <tr> <th>Density</th> <th>Sequential Read (MB/s)</th> <th>Sequential Write (MB/s)</th> </tr> </thead> <tbody> <tr> <td>4 GB</td> <td></td> <td>10</td> </tr> <tr> <td>8 GB</td> <td></td> <td></td> </tr> <tr> <td>16 GB</td> <td>60</td> <td>20</td> </tr> <tr> <td>32 GB</td> <td></td> <td></td> </tr> </tbody> </table> <p><small>* Test/ Estimation Condition : Bus width x8, 52MHz, 4MB data transfer, w/o file system overhead</small></p>	Density	Sequential Read (MB/s)	Sequential Write (MB/s)	4 GB		10	8 GB			16 GB	60	20	32 GB			<p>5.2.3 Performance</p> <table border="1"> <thead> <tr> <th>Density</th> <th>Sequential Read (MB/s)</th> <th>Sequential Write (MB/s)</th> </tr> </thead> <tbody> <tr> <td>4 GB</td> <td></td> <td>8</td> </tr> <tr> <td>8 GB</td> <td></td> <td></td> </tr> <tr> <td>16 GB</td> <td>44</td> <td>14</td> </tr> <tr> <td>32 GB</td> <td></td> <td></td> </tr> </tbody> </table> <p><small>* Test Condition : Bus width x8, 52MHz DDR, 100MB File Transfer, by HDBench with USB3.0 Reader, File System Overhead is included.</small></p>	Density	Sequential Read (MB/s)	Sequential Write (MB/s)	4 GB		8	8 GB			16 GB	44	14	32 GB																																										
Density	Sequential Read (MB/s)	Sequential Write (MB/s)																																																																					
4 GB		10																																																																					
8 GB																																																																							
16 GB	60	20																																																																					
32 GB																																																																							
Density	Sequential Read (MB/s)	Sequential Write (MB/s)																																																																					
4 GB		8																																																																					
8 GB																																																																							
16 GB	44	14																																																																					
32 GB																																																																							
<p>[Table 32] Auto Power Saving Mode and Sleep Mode</p> <table border="1"> <thead> <tr> <th></th> <th>Auto Power Saving Mode</th> <th>Sleep Mode</th> </tr> </thead> <tbody> <tr> <td>NAND Power</td> <td>ON</td> <td>OFF</td> </tr> <tr> <td>GotoSleep Time</td> <td>< 1ms</td> <td>< 1ms</td> </tr> <tr> <td>Wakeup Time</td> <td>< 500ns</td> <td>< 15ms</td> </tr> </tbody> </table> <p><small>* Wakeup Time from APS Mode : When Host CLK speed is over 16MHz, Max. wakeup time is less than 500ns. (Wakeup Time : Elapsed time to response after CMD is issued to wake up from APS Mode)</small></p>		Auto Power Saving Mode	Sleep Mode	NAND Power	ON	OFF	GotoSleep Time	< 1ms	< 1ms	Wakeup Time	< 500ns	< 15ms	<p>[Table 26] Auto Power Saving Mode and Sleep Mode</p> <table border="1"> <thead> <tr> <th></th> <th>Auto Power Saving Mode</th> <th>Sleep Mode</th> </tr> </thead> <tbody> <tr> <td>NAND Power</td> <td>ON</td> <td>OFF</td> </tr> <tr> <td>GotoSleep Time</td> <td>< 1ms</td> <td>< 1ms</td> </tr> </tbody> </table>		Auto Power Saving Mode	Sleep Mode	NAND Power	ON	OFF	GotoSleep Time	< 1ms	< 1ms																																																	
	Auto Power Saving Mode	Sleep Mode																																																																					
NAND Power	ON	OFF																																																																					
GotoSleep Time	< 1ms	< 1ms																																																																					
Wakeup Time	< 500ns	< 15ms																																																																					
	Auto Power Saving Mode	Sleep Mode																																																																					
NAND Power	ON	OFF																																																																					
GotoSleep Time	< 1ms	< 1ms																																																																					
<p>6.2.1 Product name table (In CID Register)</p> <table border="1"> <thead> <tr> <th>Part Number</th> <th>Density</th> <th>Product Name in CID Register (PNM)</th> </tr> </thead> <tbody> <tr> <td>KLM4G1FE3B-B001</td> <td>4 GB</td> <td>0x4D3447314642</td> </tr> <tr> <td>KLM8G2FE3B-B001</td> <td>8 GB</td> <td>0x4D3847324642</td> </tr> <tr> <td>KLMAG4FE3B-A001</td> <td>16 GB</td> <td>0x4D4147334642</td> </tr> <tr> <td>KLMBG8FE3B-A001</td> <td>32 GB</td> <td>0x4D4247344642</td> </tr> </tbody> </table>	Part Number	Density	Product Name in CID Register (PNM)	KLM4G1FE3B-B001	4 GB	0x4D3447314642	KLM8G2FE3B-B001	8 GB	0x4D3847324642	KLMAG4FE3B-A001	16 GB	0x4D4147334642	KLMBG8FE3B-A001	32 GB	0x4D4247344642	<p>6.2.1 Product name table (In CID Register)</p> <table border="1"> <thead> <tr> <th>Part Number</th> <th>Density</th> <th>Product Name in CID Register (PNM)</th> </tr> </thead> <tbody> <tr> <td>KLM4G1FE3B-B001</td> <td>4 GB</td> <td>0x4D3447314642</td> </tr> <tr> <td>KLM8G2FE3B-B001</td> <td>8 GB</td> <td>0x4D3847324642</td> </tr> <tr> <td>KLMAG4FE3B-A001</td> <td>16 GB</td> <td>0x4D4147344642</td> </tr> <tr> <td>KLMBG8FE3B-A001</td> <td>32 GB</td> <td>0x4D4247384642</td> </tr> </tbody> </table>	Part Number	Density	Product Name in CID Register (PNM)	KLM4G1FE3B-B001	4 GB	0x4D3447314642	KLM8G2FE3B-B001	8 GB	0x4D3847324642	KLMAG4FE3B-A001	16 GB	0x4D4147344642	KLMBG8FE3B-A001	32 GB	0x4D4247384642																																								
Part Number	Density	Product Name in CID Register (PNM)																																																																					
KLM4G1FE3B-B001	4 GB	0x4D3447314642																																																																					
KLM8G2FE3B-B001	8 GB	0x4D3847324642																																																																					
KLMAG4FE3B-A001	16 GB	0x4D4147334642																																																																					
KLMBG8FE3B-A001	32 GB	0x4D4247344642																																																																					
Part Number	Density	Product Name in CID Register (PNM)																																																																					
KLM4G1FE3B-B001	4 GB	0x4D3447314642																																																																					
KLM8G2FE3B-B001	8 GB	0x4D3847324642																																																																					
KLMAG4FE3B-A001	16 GB	0x4D4147344642																																																																					
KLMBG8FE3B-A001	32 GB	0x4D4247384642																																																																					
<p>7.1 Time Parameter</p> <table border="1"> <thead> <tr> <th>Timing Paramter</th> <th>Max. (Time Out Condition)</th> <th>Typ.</th> </tr> </thead> <tbody> <tr> <td>Initialization Time (tINIT)</td> <td>1s</td> <td>-</td> </tr> <tr> <td>Read Timeout</td> <td>100ms</td> <td>-</td> </tr> <tr> <td>Write Timeout</td> <td>350ms</td> <td>-</td> </tr> <tr> <td>Erase Timeout</td> <td>10ms</td> <td>1.5ms</td> </tr> <tr> <td>Force Erase Timeout</td> <td>3min</td> <td>-</td> </tr> <tr> <td>Secure Erase Timeout</td> <td>3000ms</td> <td>400ms</td> </tr> <tr> <td>Secure Trim step1 Timeout ¹⁾</td> <td>600ms</td> <td>3ms</td> </tr> <tr> <td>Secure Trim step2 Timeout</td> <td>3000ms</td> <td>400ms</td> </tr> <tr> <td>Trim Timeout ¹⁾</td> <td>600ms</td> <td>5ms</td> </tr> <tr> <td>Partition Switching Timeout(after Init)</td> <td>100us</td> <td>-</td> </tr> <tr> <td>Read Latency for demand Paging</td> <td>11ms</td> <td>-</td> </tr> </tbody> </table> <p>NOTE: 1) If 8KB Size and Address are aligned, Max. Timeout value is 300ms</p>	Timing Paramter	Max. (Time Out Condition)	Typ.	Initialization Time (tINIT)	1s	-	Read Timeout	100ms	-	Write Timeout	350ms	-	Erase Timeout	10ms	1.5ms	Force Erase Timeout	3min	-	Secure Erase Timeout	3000ms	400ms	Secure Trim step1 Timeout ¹⁾	600ms	3ms	Secure Trim step2 Timeout	3000ms	400ms	Trim Timeout ¹⁾	600ms	5ms	Partition Switching Timeout(after Init)	100us	-	Read Latency for demand Paging	11ms	-	<p>7.1 Time Parameter</p> <table border="1"> <thead> <tr> <th>Timing Paramter</th> <th>Max. Value</th> <th>Unit</th> </tr> </thead> <tbody> <tr> <td>Initialization Time (tINIT)</td> <td>1</td> <td>s</td> </tr> <tr> <td>Read Timeout</td> <td>100</td> <td>ms</td> </tr> <tr> <td>Write Timeout</td> <td>350</td> <td>ms</td> </tr> <tr> <td>Erase Timeout</td> <td>10</td> <td>ms</td> </tr> <tr> <td>Force Erase Timeout</td> <td>3</td> <td>min</td> </tr> <tr> <td>Secure Erase Timeout</td> <td>3</td> <td>s</td> </tr> <tr> <td>Secure Trim step1 Timeout ¹⁾</td> <td>600</td> <td>ms</td> </tr> <tr> <td>Secure Trim step2 Timeout</td> <td>3</td> <td>s</td> </tr> <tr> <td>Trim Timeout ¹⁾</td> <td>600</td> <td>ms</td> </tr> <tr> <td>Partition Switching Timeout (after Init)</td> <td>100</td> <td>us</td> </tr> </tbody> </table> <p>NOTE: 1) If 8KB Size and Address are aligned, Max. Timeout value is 300ms</p>	Timing Paramter	Max. Value	Unit	Initialization Time (tINIT)	1	s	Read Timeout	100	ms	Write Timeout	350	ms	Erase Timeout	10	ms	Force Erase Timeout	3	min	Secure Erase Timeout	3	s	Secure Trim step1 Timeout ¹⁾	600	ms	Secure Trim step2 Timeout	3	s	Trim Timeout ¹⁾	600	ms	Partition Switching Timeout (after Init)	100	us	
Timing Paramter	Max. (Time Out Condition)	Typ.																																																																					
Initialization Time (tINIT)	1s	-																																																																					
Read Timeout	100ms	-																																																																					
Write Timeout	350ms	-																																																																					
Erase Timeout	10ms	1.5ms																																																																					
Force Erase Timeout	3min	-																																																																					
Secure Erase Timeout	3000ms	400ms																																																																					
Secure Trim step1 Timeout ¹⁾	600ms	3ms																																																																					
Secure Trim step2 Timeout	3000ms	400ms																																																																					
Trim Timeout ¹⁾	600ms	5ms																																																																					
Partition Switching Timeout(after Init)	100us	-																																																																					
Read Latency for demand Paging	11ms	-																																																																					
Timing Paramter	Max. Value	Unit																																																																					
Initialization Time (tINIT)	1	s																																																																					
Read Timeout	100	ms																																																																					
Write Timeout	350	ms																																																																					
Erase Timeout	10	ms																																																																					
Force Erase Timeout	3	min																																																																					
Secure Erase Timeout	3	s																																																																					
Secure Trim step1 Timeout ¹⁾	600	ms																																																																					
Secure Trim step2 Timeout	3	s																																																																					
Trim Timeout ¹⁾	600	ms																																																																					
Partition Switching Timeout (after Init)	100	us																																																																					



Table Of Contents

1.0 PRODUCT LIST	6
2.0 KEY FEATURES	6
3.0 PACKAGE CONFIGURATIONS	7
3.1 153 Ball Pin Configuration	7
3.1.1 11.5mm x 13mm x 1.0mm Package Dimension	8
3.2 169 Ball Pin Configuration	9
3.2.1 12mm x 16mm x 1.0mm Package Dimension	10
3.2.2 12mm x 16mm x 1.2mm Package Dimension	11
3.3 Product Architecture	12
4.0 e.MMC 4.41 features	13
4.1 Data Write	13
4.2 Reliable Write	14
4.3 Secure Trim	14
4.4 High Priority Interrupt	14
4.5 Background Operation	16
5.0 Technical Notes	17
5.1 S/W Algorithm	17
5.1.1 Partition Management	17
5.1.1.1 Boot Area Partition and RPMB Area Partition	17
5.1.1.2 Enhanced Partition (Area)	17
5.1.2 Write protect management	18
5.1.2.1 User Area Write Protection	18
5.1.2.2 Boot Partition Write Protection	18
5.1.3 Boot operation	19
5.1.4 Wear Leveling	20
5.1.5 User Density	20
5.1.6 Auto Power Saving Mode	21
5.1.7 End of Life Management	21
5.2 Smart Report	22
5.2.1 Smart Report Sequence	22
5.2.2 Smart Report Output Data (For Customer)	23
5.2.3 Performance	23
6.0 REGISTER VALUE	24
6.1 OCR Register	24
6.2 CID Register	24
6.2.1 Product name table (In CID Register)	24
6.3 CSD Register	25
6.4 Extended CSD Register	26
7.0 AC PARAMETER	29
7.1 Time Parameter	29
7.2 Bus Timing Parameter	29
7.3 Bus timing for DAT signals during 2x data rate operation	31
7.3.1 Dual data rate interface timings	31
7.4 Bus signal levels	32
7.4.1 Open-drain mode bus signal level	32
7.4.2 Push-pull mode bus signal level.high-voltage MultiMediaCard	32
7.4.3 Push-pull mode bus signal level.dual-voltage MultiMediaCard	32
7.4.4 Push-pull mode bus signal level.e·MMC	33
8.0 DC PARAMETER	34
8.1 Active Power Consumption during operation	34
8.2 Standby Power Consumption in auto power saving mode and standby state	34
8.3 Sleep Power Consumption in Sleep State	34
8.4 Supply Voltage	34
8.5 Bus Operating Conditions	34
8.6 Bus Signal Line Load	35
9.0 e-MMC Connection Guide	36
9.1 x8 support Host connection Guide	36
9.2 x4 support Host connection Guide	36

INTRODUCTION

The SAMSUNG e-MMC is an embedded MMC solution designed in a BGA package form. e-MMC operation is identical to a MMC card and therefore is a simple read and write to memory using MMC protocol v4.41 which is a industry standard.

e-MMC consists of NAND flash and a MMC controller. 3V supply voltage is required for the NAND area (VDDF) whereas 1.8V or 3V dual supply voltage (VDD) is supported for the MMC controller. Maximum MMC interface frequency of 52MHz and maximum bus widths of 8 bit are supported.

There are several advantages of using e-MMC. It is easy to use as the MMC interface allows easy integration with any microprocessor with MMC host. Any revision or amendment of NAND is invisible to the host as the embedded MMC controller insulates NAND technology from the host. This leads to faster product development as well as faster times to market.

The embedded flash mangement software or FTL(Flash Transition Layer) of e-MMC manages Wear Leveling, Bad Block Management and ECC. The FTL supports all features of the Samsung NAND flash and achieves optimal performance.

1.0 PRODUCT LIST

Capacities	e-MMC Part ID	NAND Flash Type	User Density (%)	Power System	Package size	Pin Configuration
4GB	KLM4G1FE3B-B001	32Gb MLC x 1	91.0%	- Interface power : VDD (1.70V ~ 1.95V or 2.7V ~ 3.6V) - Memory power : VDDF (2.7V ~ 3.6V)	11.5mm x 13mm x 1.0mm	153FBGA
8GB	KLM8G2FE3B-B001	32Gb MLC x 2			12mm x 16mm x 1.0mm	169FBGA
16GB	KLMAG4FE3B-A001	32Gb MLC x 4			12mm x 16mm x 1.2mm	
32GB	KLMBG8FE3B-A001	32Gb MLC x 8				

2.0 KEY FEATURES

- MultiMediaCard System Specification Ver. 4.41 compatible. Detail description is referenced by JEDEC Standard
- SAMSUNG e-MMC supports below special features which are being discussed in JEDEC
 - High Priority Interrupt scheme is supported
 - Back ground operation is supported.
- Full backward compatibility with previous MultiMediaCard system (1bit data bus, multi-e-MMC systems)
- Data bus width : 1bit (Default) , 4bit and 8bit
- MMC I/F Clock Frequency : 0 ~ 52MHz
MMC I/F Boot Frequency : 0 ~ 52MHz
- Temperature : Operation(-25°C ~ 85°C), Storage without operation (-40°C ~ 85°C)
- Power : Interface power → VDD (1.70V ~ 1.95V or 2.7V ~ 3.6V) , Memory power → VDDF(2.7V ~ 3.6V)

3.0 PACKAGE CONFIGURATIONS

3.1 153 Ball Pin Configuration

[Table 1] 153 Ball Information

Pin NO	Name
A3	DAT0
A4	DAT1
A5	DAT2
B2	DAT3
B3	DAT4
B4	DAT5
B5	DAT6
B6	DAT7
K5	RSTN
C6	VDD
M4	VDD
N4	VDD
P3	VDD
P5	VDD
E6	VDDF
F5	VDDF
J10	VDDF
K9	VDDF
C2	VDDI
M5	CMD
M6	CLK
C4	VSS
E7	VSS
G5	VSS
H10	VSS
K8	VSS
N2	VSS
N5	VSS
P4	VSS
P6	VSS

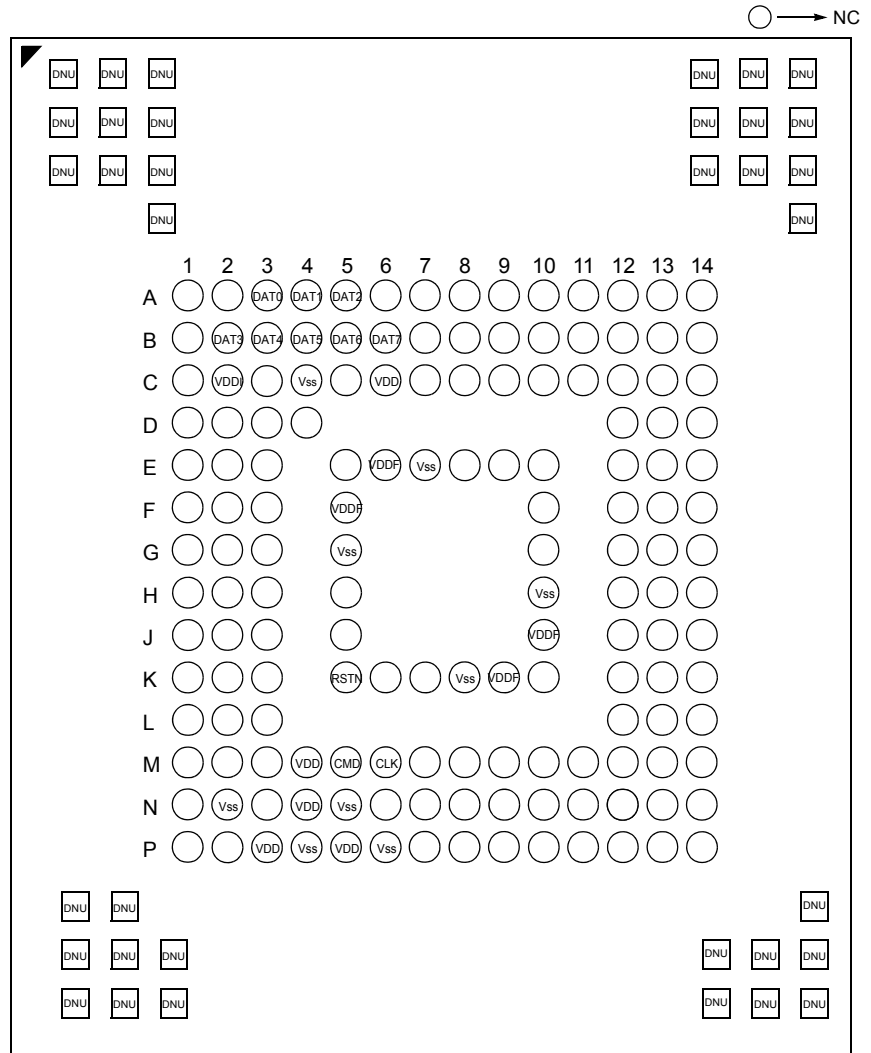


Figure 1. 153-FBGA

3.1.1 11.5mm x 13mm x 1.0mm Package Dimension

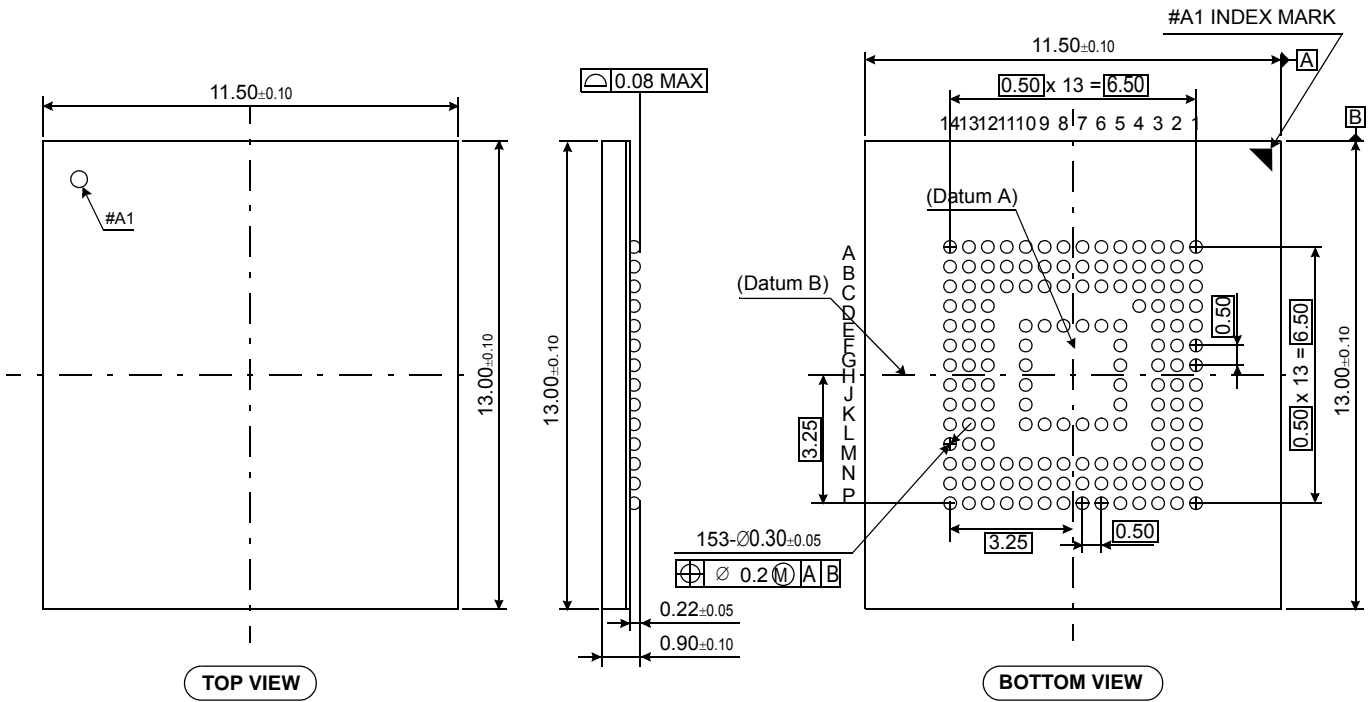


Figure 2. 11.5mm x 13mm x 1.0mm Package Dimension

3.2 169 Ball Pin Configuration

[Table 2] 169 Ball Information

Pin NO	Name	Pin NO	Name
K6	VDD	AA5	VDD
T10	VDDF	W4	VDD
K2	VDDI	Y4	VDD
R10	Vss	AA3	VDD
W5	CMD	U9	VDDF
W6	CLK	M6	VDDF
H3	DAT0	N5	VDDF
H4	DAT1	U8	Vss
H5	DAT2	M7	Vss
J2	DAT3	AA6	Vss
J3	DAT4	P5	Vss
J4	DAT5	Y5	Vss
J5	DAT6	K4	Vss
J6	DAT7	Y2	Vss
H6	RFU	AA4	Vss
H7	RFU	U5	RSTN
K5	RFU		
M5	RFU		
M8	RFU		
M9	RFU		
M10	RFU		
N10	RFU		
P3	RFU		
P10	RFU		
R5	RFU		
T5	RFU		
U6	RFU		
U7	RFU		
U10	RFU		
AA7	RFU		
AA10	RFU		

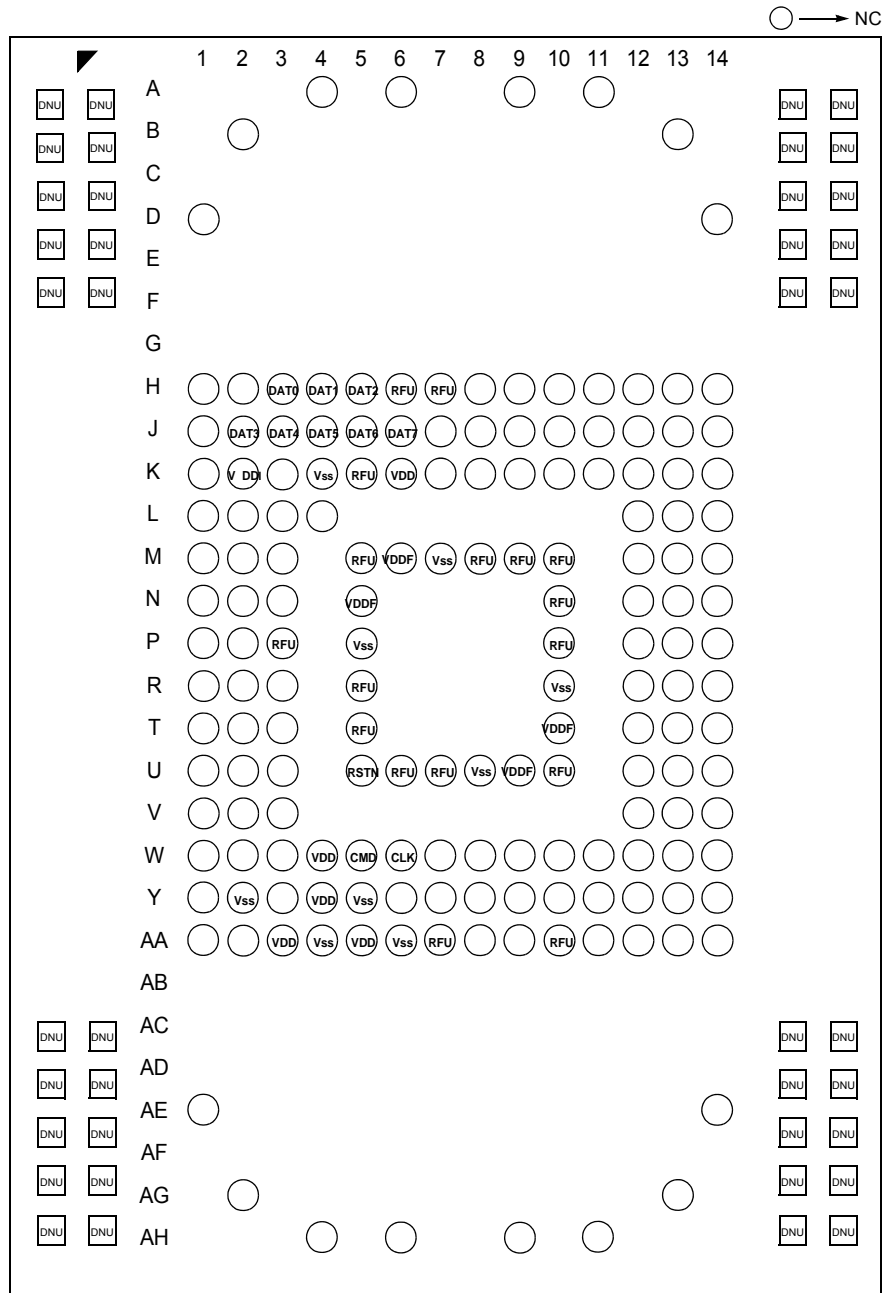


Figure 3. 169-FBGA

3.2.1 12mm x 16mm x 1.0mm Package Dimension

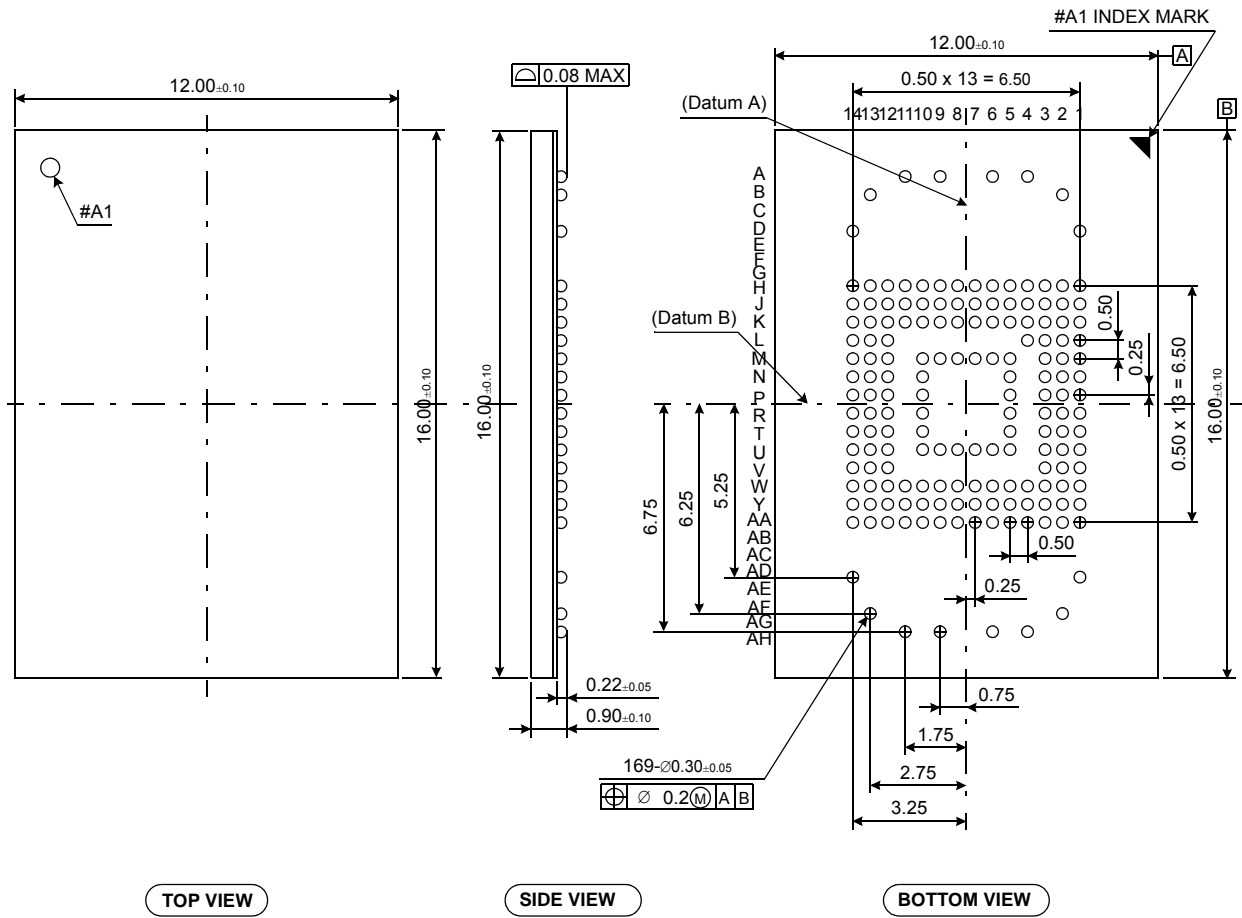


Figure 4. 12mm x 16mm x 1.0mm Package Dimension

3.2.2 12mm x 16mm x 1.2mm Package Dimension

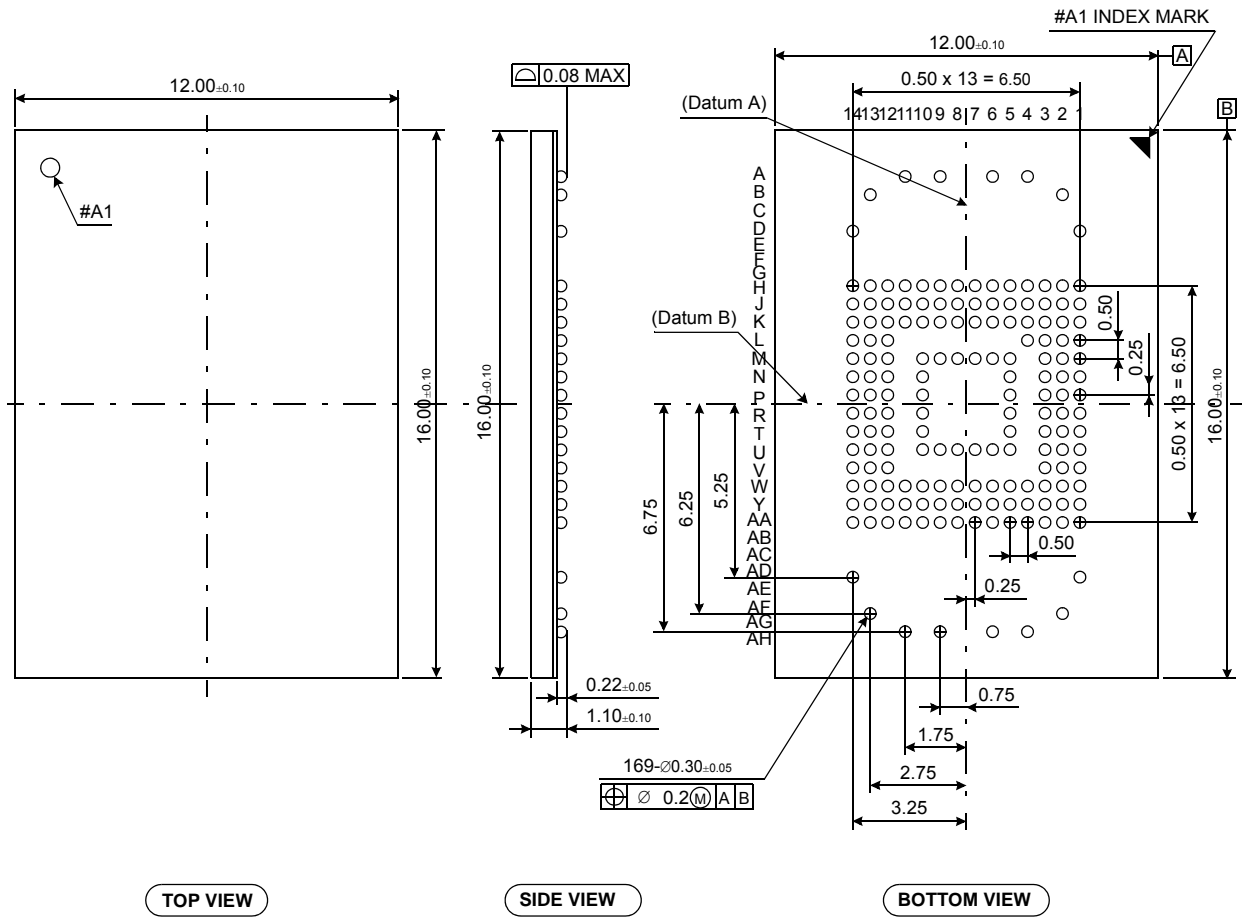


Figure 5. 12mm x 16mm x 1.2mm Package Dimension

3.3 Product Architecture

- e-MMC consists of NAND Flash and Controller. VDD is for Controller power and VDDF is for flash power

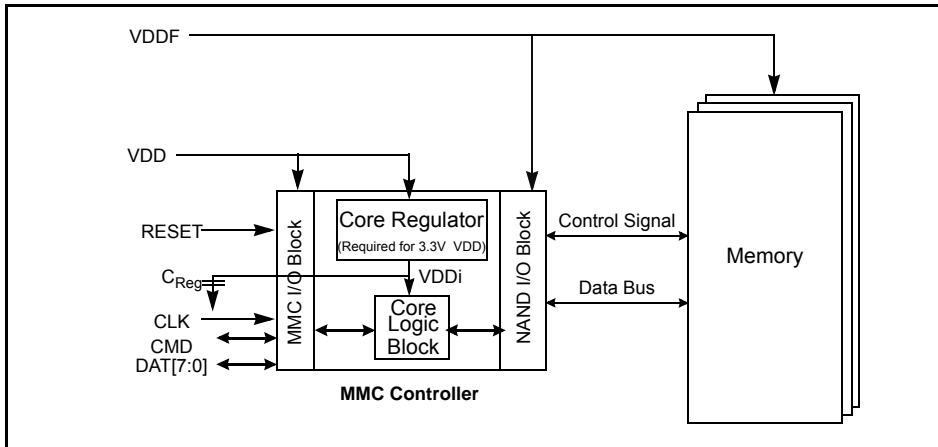


Figure 6. e-MMC Block Diagram

4.0 e.MMC 4.41 features

4.1 Data Write

Host can configure reliability mode to protect existing data per each partition.

This reliability mode has to be set before partitioning is completed.

This reliability setting only impacts the reliability of the main user area and the general purpose partitions.

[Table 3] EXT_CSD value for reliability setting in write operation

Name	Field	Size (Bytes)	Cell Type	EXT_CSD-slice	Value
Data Reliability Supports	WR_REL_PARAM	1	R	166	0x05
Data Reliability Configuration	WR_REL_SET	1	R/W	167	0x1F

Explanation of each field in the upper table is mentioned below

[Table 4] Definition of EXT_CSD value for reliability setting

Fields	Definitions
HS_CTRL_REL	0x0: All the WR_DATA_REL parameters in the WR_REL_SET registers are read only bits. 0x1: All the WR_DATA_REL parameters in the WR_REL_SET registers are R/W.
EN_REL_WR	0x0: The device supports the previous definition of reliable write. 0x1: The device supports the enhanced definition of reliable write

The below table shows each field for WE_REL_SET

[Table 5] Description of each field for WE_REL_SET

Name	Field	Bit	Size	Type
Write Data Reliability (user Area)	WR_DATA_REL_USR	0	1	R (if HS_CTRL_REL=0) R/W (if HS_CTRL_REL=1)
Write Data Reliability Partition 1	WR_DATA_REL_1	1	1	R (if HS_CTRL_REL=0) R/W (if HS_CTRL_REL=1)
Write Data Reliability Partition 2	WR_DATA_REL_2	2	1	R (if HS_CTRL_REL=0) R/W (if HS_CTRL_REL=1)
Write Data Reliability Partition 3	WR_DATA_REL_3	3	1	R (if HS_CTRL_REL=0) R/W (if HS_CTRL_REL=1)
Write Data Reliability Partition 4	WR_DATA_REL_4	4	1	R (if HS_CTRL_REL=0) R/W (if HS_CTRL_REL=1)
Reserved	-	7:5	-	-

4.2 Reliable Write

[Table 6] EXT_CSD value for reliable write

Name	Field	Size (Bytes)	Cell Type	CSD-slice	Value
Data Reliability Supports	WR_REL_PARAM	1	R	166	0x05

Reliable write with EN_REL_WR is 0x1 supports atomicity of sector unit.

The block size defined by SET_BLOCKLEN (CMD16) is ignored and reliable write is executed as only 512 byte length. There is no limit on the size of the reliable write.

[Table 7] EXT_CSD value for reliable write

Name	Field	Size (Bytes)	Cell Type	CSD-slice	Value
Reliable Write Sector Count	REL_WR_SEC_C	1	R	[222]	0x01

4.3 Secure Trim

Secure Trim operation consists of Secure Trim Step1 and Secure Trim Step2.

In Secure Trim Step 1 the host defines the range of write blocks that it would like to mark for the secure purge.

[Table 8] EXT_CSD value for secure trim

Field	Definitions	Value
SEC_TRIM_MULT	Secure Trim Step2 Timeout = 300ms x ERASE_TIMEOUT_MULT x SEC_TRIM_MULT	0x0A

Area marked by Secure Trim Step1 is shown as EXT_CSD[181](ERASED_MEM_CONT) before Secure Trim Step2 is completed.

When Secure Trim Step2 is issued, if there is no data marked by Secure Trim Step1, Secure Trim Step2 does not work.

4.4 High Priority Interrupt

High Priority Interrupt is to stop ongoing operation and perform read operation with high priority

Command set for High Priority Interrupt operation is the below

[Table 9] Command List for High Priority Interrupt

CMD Index	Type	Argument	Resp	Abbreviation	Command Description
CMD12	ac	[31:16] – RCA* [15:1] – stuff bits [0] – High Priority Interrupt* *To be used only to send a High Priority Interrupt	R1b	STOP_TRANSMISSION	If High Priority Interrupt flag is set the device shall interrupt its internal operations in a well defined timing

Interruptible commands by read while write operation are the below.

[Table 10] List of Interruptible Command

Commands	Names	Notes
CMD24	WRITE SINGLE BLOCK	-
CMD25	WRITE MULTIPLE BLOCKS	-
CMD25	RELIABLE WRITE	Stopping a reliable write command with 'High Priority Interrupt' flag set turns that command into a reliable write command
CMD38	ERASE	-
	TRIM	-
	SECURE ERASE	-
	SECURE TRIM	-
CMD6	SWITCH	BACKGROUND OPERATION ONLY

[Table 11] EXT_CSD for HPI

Fields	Definitions	Value
HPI_FEATURES	<p>Bit 0 means HPI_SUPPORT Bit 0 = 0x0 : High Priority Interrupt mechanism not supported Bit 0 = 0x1 : High Priority Interrupt mechanism supported</p> <p>Bit 1 means HPI_IMPLEMENTATION 0x0 : HPI mechanism implementation based on CMD13 0x1 : HPI mechanism implementation based on CMD12</p>	0x03
HPI_MGMT	<p>Bit 0 means HPI_EN 0x0 : HPI mechanism not activated by the host 0x1 : HPI mechanism activated by the host</p>	0x00
PARTITION_SWITCH_TIME	This field indicates the maximum timeout for the SWITCH command (CMD6) when switching partitions by changing PARTITION_ACCESS bits in PARTITION_CONFIG field (EXT_CSD byte [179]). Time is expressed in units of 10 milliseconds	0x01
OUT_OF_INTERRUPT_TIME	This field indicates the maximum timeout to close a command interrupted by HPI - time between the end bit of CMD12 / CMD 13 to the DAT0 release by the device.	0x01
CORRECTLY_PRG_SECTOR_NUM	This field indicates how many 512B sectors were successfully programmed by the last WRITE_MULTIPLE_BLOCK command (CMD25). $CORRECTLY_PRG_SECTORS_NUM = EXT_CSD[242] * 2^0 + EXT_CSD[243] * 2^8 + EXT_CSD[244] * 2^{16} + EXT_CSD[245] * 2^{24}$	0x00

4.5 Background Operation

When the host is not being serviced, e-MMC can do internal operation by using “Background Operation” command. In this operation which takes long time to complete can be handled later when host ensure enough idle time (In Back ground operation)

Background Operation Sequence is the following

[Table 12] Background Operation Sequence

Function	Command	Description
Background Operation Check	CMD8 Or Card Status Register	If BKOPS_STATUS is not 0 or 6 th bit of card status register is set, there are something to be performed by background operation
Background Operation Start	CMD6	Background operation starts by BKOPS_START is set to any value. When background operation is completed BKOPS_STATUS is set to 0 and BKOPS_START is set to 0.
Background Operation Stop	HPI	If the background operation is stopped BKOPS_START is set to 0

[Table 13] Background operation field description

Fields	Descriptions
BKOPS_SUPPORT	'0' means Background operation is not supported '1' means Background operation is supported
BKOPS_EN	'0' means host does not support background operation '1' means host use background operation manually
BKOPS_STATUS	'0' means No background work pending '1' means pending background work existing. '2' means pending background work existing & performance being impacted. '3' means pending background work existing & critical
BKOPS_START	Background operation start while BKOPS_START is set to any value. '0' means Background operation is enabled.

[Table 14] Card Status Register for Background Operation

Bits	Identifier	Type	Det Mode	Value	Description	Clear Cond
6	URGENT_BKOPS	S	R	"0" = Not Urgent "1" = Urgent	If set, device needs to perform background operations urgently. Host can check EXT_CSD field BKOPS_STATUS for the detailed level (in case of BKOPS_STATUS is 2 or 3)	A

5.0 Technical Notes

5.1 S/W Algorithm

5.1.1 Partition Management

The device initially consists of two Boot Partitions and RPMB Partition and User Data Area.

The User Data Area can be divided into four General Purpose Area Partitions and User Data Area partition. Each of the General Purpose Area partitions and a section of User Data Area partition can be configured as enhanced partition.

5.1.1.1 Boot Area Partition and RPMB Area Partition

Default size of each Boot Area Partition is 512KB and can be changed by Vendor Command as multiple of 512KB.
Default size of RPMB Area Partition is 128 KB and can be changed by Vendor Command as multiple of 128KB.

Boot Partition size & RPMB Partition Size are set by the following command sequence :

[Table 15] Setting sequence of Boot Area Partition size and RPMB Area Partition size

Function	Command	Description
Partition Size Change Mode	CMD62(0xEFAC62EC)	Enter the Partition Size Change Mode
Partition Size Set Mode	CMD62(0x00CBAAE7)	Partition Size setting mode
Set Boot Partition Size	CMD62(BOOT_SIZE_MULTI)	Boot Partition Size value
Set RPMB Partition Size	CMD62(RPMB_SIZE_MULTI)	RPMB Partition Size value F/W Re-Partition is executed in this step.
Power Cycle		

Boot partition size is calculated as (128KB * BOOT_SIZE_MULTI)
BOOT_SIZE_MULTI should be set as multiple of 8.

The size of Boot Area Partition 1 and 2 can not be set independently. It is set as same value.

RPMB partition size is calculated as (128KB * RPMB_SIZE_MULTI).
In RPMB partition, CMD 0, 6, 8, 12, 13, 15, 18, 23, 25 are admitted.

Access Size of RPMB partition is defined as the below:

[Table 16] REL_WR_SEC_C value for write operation on RPMB partition

REL_WR_SEC_C	Description
REL_WR_SEC_C = 1	Access sizes 256B and 512B supported to RPMB partition
REL_WR_SEC_C > 1	Access sizes up to REL_WR_SEC_C * 512B supported to RPMB partition with 256B granularity

Any undefined set of parameters or sequence of commands results in failure access.

If the failure is in data programming case, the data is not programmed. And if the failure occurs in data read case, the read data is '0x00'.

5.1.1.2 Enhanced Partition (Area)

SAMSUNG e-MMC adopts Enhanced User Data Area as SLC Mode. Therefore when master adopts some portion as enhanced user data area in User Data Area, that area occupies double size of original set up size. (ex> if master set 1MB for enhanced mode, total 2MB user data area is needed to generate 1MB enhanced area)

Max Enhanced User Data Area size is defined as (MAX_ENH_SIZE_MULT x HC_WP_GRP_SIZE x HC_ERASE_GPR_SIZE x 512KBytes)

5.1.2 Write protect management

In order to allow the host to protect data against erase or write, the device shall support write protect commands.

5.1.2.1 User Area Write Protection

TMP_WRITE_PROTECT (CSD[12]) and PERM_WRITE_PROTECT(CSD[13]) registers allow the host to apply write protection to whole device including Boot Partition, RPMB Partition and User Area.

[Table 17] whole device write protect priority

Class	Setting
Permanent write protect	SET : One time programmable
	CLR : Not available
Temporary write protect	SET : Multiple programmable
	CLR : Multiple programmable

USER_WP (EXT_CSD[171]) register allows the host to apply write protection to all the partitions in the user area.

[Table 18] User area write protect priority

Class	Setting
Permanent write protect	SET : One time programmable
	CLR : Not available
Power-on write protect	SET : One time programmable on power-on
	CLR : After power reset
Temporary write protect	SET : Multiple programmable
	CLR : Multiple programmable

The host has the ability to check the write protection status of segments by using the SEND_WRITE_PROT_TYPE command (CMD31). When full card protection is enabled all the segments will be shown as having permanent protection.

5.1.2.2 Boot Partition Write Protection

BOOT_WP (EXT_CSD [173]) register allows the host to apply write protection to Boot Area Partitions.

[Table 19] Boot area write protect priority

Class	Setting
Permanent write protect	SET : One time programmable
	CLR : Not available
Power-on write protect	SET : One time programmable on power-on
	CLR : After power reset

An attempt to set both the disable and enable bit for a given protection mode (permanent or power-on) in a single switch command will have no impact and switch error occurs.

Setting both B_PERM_WP_EN and B_PWR_WP_EN will result in the boot area being permanently protected.

5.1.3 Boot operation

Device supports not only boot mode but also alternative boot mode.
Device supports high speed timing and dual data rate during boot

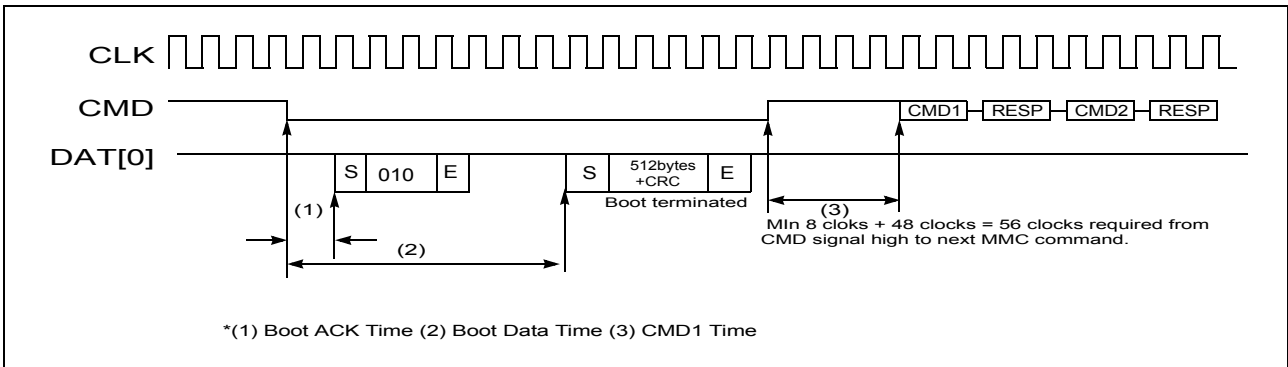


Figure 7. MultiMediaCard state diagram (boot mode)

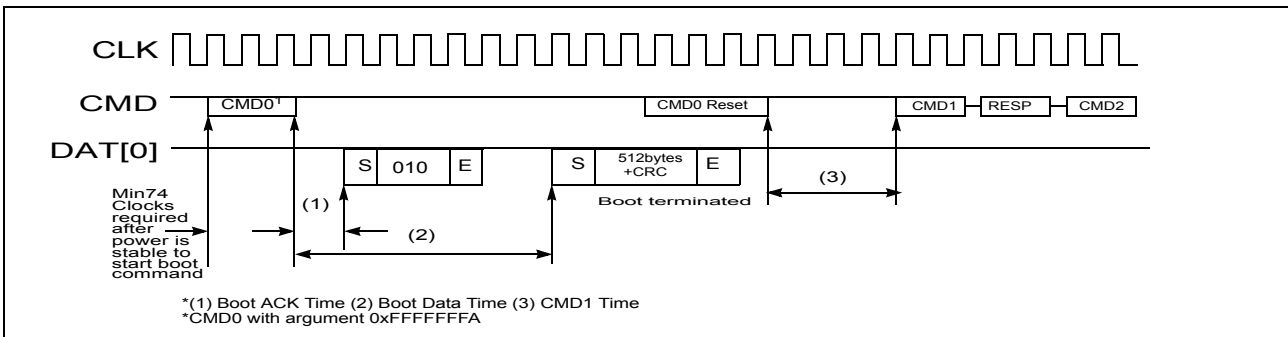


Figure 8. MultiMediaCard state diagram (alternative boot mode)

[Table 20] Boot and ack timing value and Initialization time

Timing Factor	Value
(1) Boot ACK Time	< 50 ms
(2) Boot Data Time	< 60 ms
(3) Initialization Time*	< 200ms

* Definition of Initialization Time : CMD0 ~ CMD1 busy bit clearing time after power up. For Initialization Time after partition setting, refer to INI_TIMEOUT_AP in 6.4 Extended CSD register.

Minimum function for reading boot data is initialized during boot time and after that full function is initialized during initialization time.

5.1.4 Wear Leveling

The partitions in device have the following NAND type in case of MLC type NAND.

[Table 21] NAND type in each partitions

Partitions		NAND Operation Mode
Boot Area Partition 1		SLC Mode
Boot Area Partition 2		SLC Mode
RPMB Area Partition		SLC Mode
General Purpose Partition		MLC Mode or SLC Mode
User Data Area	Enhanced Area	SLC Mode
	Default Area	MLC Mode

Wear leveling means that blocks should be used evenly in order to expand life span of device. Wear leveling is executed in each partition locally because of each partition with different attribute.

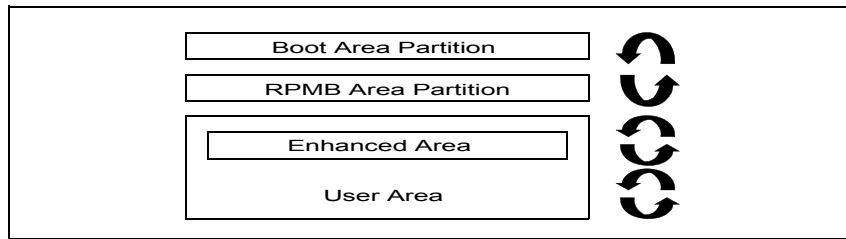
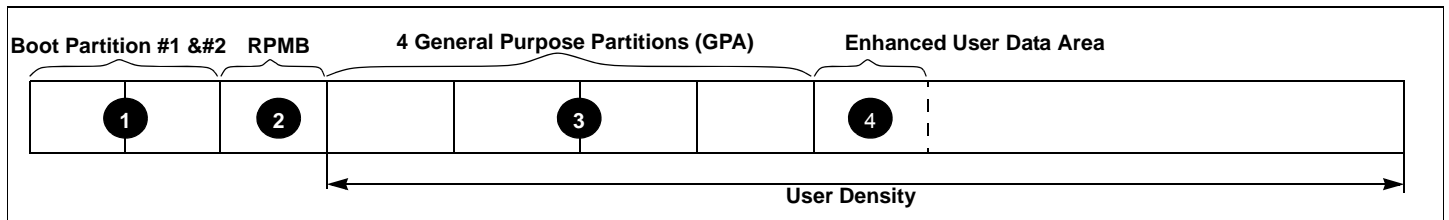


Figure 9. Wear leveling

And then device reserves free block and executes wear-level at each partition respectively.

5.1.5 User Density

Total User Density depends on device type.
For example, 32MB in the SLC Mode requires 64MB in MLC.
This results in decreasing of user density



[Table 22] Capacity according to partition

		Density	Boot partition 1	Boot partition 2	RPMB
MLC	4GB	Min.	1,024KB	1,024KB	128KB
		Max.	16,384KB	16,384KB	4,096KB
	8GB,16GB,32GB	Min.	2,048KB	2,048KB	128KB
		Max.	16,384KB	16,384KB	4,096KB

*Page Mapping is applied so that Max. Boot Partition and RPMB size are changed from 32MB to current values in order to cover a variety of user densities.

[Table 23] Maximum Enhanced Partition Size

Device	Max. Enhanced Partition Size
4 GB	1,954,545,664 Bytes
8 GB	3,909,091,328 Bytes
16 GB	7,809,794,048 Bytes
32 GB	15,627,976,704 Bytes

[Table 24] User Density Size

Device	User Density Size
4 GB	3,909,091,328 Bytes
8 GB	7,818,182,656 Bytes
16 GB	15,634,268,160 Bytes
32 GB	31,268,536,320 Bytes

5.1.6 Auto Power Saving Mode

If host does not issue any command during a certain duration (1ms), after previously issued command is completed, the device enters "Power Saving mode" to reduce power consumption.

At this time, commands arriving at the device while it is in power saving mode will be serviced in normal fashion

[Table 25] Auto Power Saving Mode enter and exit

Mode	Enter Condition	Escape Condition
Auto Power Saving Mode	When previous operation which came from Host is completed and no command is issued during a certain time.	If Host issues any command

[Table 26] Auto Power Saving Mode and Sleep Mode

	Auto Power Saving Mode	Sleep Mode
NAND Power	ON	OFF
GotoSleep Time	< 1ms	< 1ms

5.1.7 End of Life Management

The end of device life time is defined when there is no more available reserved block for bad block management in the device. When the device reaches to end of its life time, device shall change its state to permanent write protection state. In this case, write operation is not allowed any more but read operation are still allowed.

But, reliability of the operation can not be guaranteed after end of life

5.2 Smart Report

Samsung provides Report feature for the Host to notice the device state by Meta data. Samsung calls this Smart Report. So Customer can acquire prime factor for understanding at the beginning analysis of error. Below table is the information about Smart Report.

Mode	Contents
Customer Report	1. Detect Error Mode 2. Detect Super Block Size 3. Detect Super Page Size 4. Detect Optimal Write Size 5. Detect Number Of Banks 6. The number of Initial Bad Block, Per Bank 7. The number of Init and Run Time Bad Block, Per Bank 8. Number of remain block in Reserved Block 9. Max, Min, Avg Erase Count 10. Number of read reclaim 11. Detect Optimal Trim Size 12. Hash code 13. Max, Min, Avg Erase Count (SLC) 14. Max, Min, Avg Erase Count (MLC)

5.2.1 Smart Report Sequence

Functions	Command	Description
Entering Smart Report Mode	CMD62h(0xEFAC62EC) → CMD62h(0xCCEE)	After entering Smart Report Mode, the report-related Values are able to be checked on Read Command.
Confirming Smart Report	CMD17h(0x0)	It is possible to confirm Smart Report after reading Sector 1 at Address 0.
Removing Smart Report Mode	CMD62h(0xEFAC62EC) → CMD62h(0xDECCEE)	Smart Report Mode is removed by this command.

5.2.2 Smart Report Output Data (For Customer)

Data Slice	Field	Width	Remark
[3:0]	Error Mode	4 bytes	Normal : 0xD2D2D2D2, OpenFatalError : 0x37373737, RuntimeFatalError : 0x5C5C5C5C, MetaBrokenError : 0xE1E1E1E1 * In case of open error, other fields are not valid.
[7:4]	Super Block Size	4 bytes	Total Size(in byte) of simultaneously erasable physical blocks (e.g., Number of Channel * N-way Interleaving * physical block size)
[11:8]	Super Page Size	4 bytes	Total Size(in byte) of simultaneously programmable physical pages (e.g., Number of Channel * physical page size)
[15:12]	Optimal Write Size	4 bytes	Write size(in byte) at which the device performs best (e.g., Super Page Size * N-way Interleaving)
[19:16]	Number Of Banks	4 bytes	Number of banks connecting to each NAND flash. Bad blocks are managed by each banks.
[23:20]	Bank0 Init Bad Block	4 bytes	0
[27:24]	Bank0 Init and Runtime Bad Block	4 bytes	Number of Init and Runtime defective physical blocks of plane which has the least remaining blocks in Bank0
[31:28]	Bank0 remain reserved Block	4 bytes	Number of remain reserved physical blocks of plane which has the least remaining blocks in Bank0
[35:32]	Bank1 Init Bad Block	4 bytes	0
[39:36]	Bank1 Init and Runtime Bad Block	4 bytes	Number of Init and Runtime defective physical blocks of plane which has the least remaining blocks in Bank1
[43:40]	Bank1 remain reserved Block	4 bytes	Number of remain reserved physical blocks of plane which has the least remaining blocks in Bank1
[47:44]	Bank2 Init Bad Block	4 bytes	0
[51:48]	Bank2 Init and Runtime Bad Block	4 bytes	Number of Init and Runtime defective physical blocks of plane which has the least remaining blocks in Bank2
[55:52]	Bank2 remain reserved Block	4 bytes	Number of remain reserved physical blocks of plane which has the least remaining blocks in Bank2
[59:56]	Bank3 Init Bad Block	4 bytes	0
[63:60]	Bank3 Init and Runtime Bad Block	4 bytes	Number of Init and Runtime defective physical blocks of plane which has the least remaining blocks in Bank3
[67:64]	Bank3 Reserved Block	4 bytes	Number of remain reserved physical blocks of plane which has the least remaining blocks in Bank3
[71:68]	Max. Erase Count	4 bytes	Maximum erase count from among all physical blocks
[75:72]	Min. Erase Count	4 bytes	Minimum erase count from among all physical blocks
[79:76]	Avg. Erase Count	4 bytes	Average erase count of all physical blocks
[83:80]	Read Reclaim cnt	4 bytes	Number of Read Reclaim Count
[87:84]	Optimal Trim Size	4 bytes	Optimal Trim size
[119:88]	Hash Code	32 Byte	Hash Code
[123:120]	Max. Erase Count (SLC)	4 bytes	Maximum erase count from among all SLC physical blocks
[127:124]	Min. Erase Count (SLC)	4 bytes	Minimum erase count from among all SLC physical blocks
[131:128]	Avg. Erase Count (SLC)	4 bytes	Average erase count of all SLC physical blocks
[135:132]	Max. Erase Count (MLC)	4 bytes	Maximum erase count from among all MLC physical blocks
[139:136]	Min. Erase Count (MLC)	4 bytes	Minimum erase count from among all MLC physical blocks
[143:140]	Avg. Erase Count (MLC)	4 bytes	Average erase count of all MLC physical blocks
[511:144]	Reserved		

5.2.3 Performance

Density	Sequential Read (MB/s)	Sequential Write (MB/s)
4 GB	44	8
8 GB		14
16 GB		
32 GB		

* Test Condition : Bus width x8, 52MHz DDR, 100MB File Transfer, by HDBench with USB3.0 Reader, File System Overhead is included.

6.0 REGISTER VALUE

6.1 OCR Register

The 32-bit operation conditions register stores the VDD voltage profile of the eMMC. In addition, this register includes a status information bit. This status bit is set if the eMMC power up procedure has been finished. The OCR register shall be implemented by all eMMCs.

OCR bit	VDD voltage window ²	Register Value
[6:0]	Reserved	00 0000b
[7]	1.70 - 1.95	1b
[14:8]	2.0-2.6	000 0000b
[23:15]	2.7-3.6	1 1111 1111b
[28:24]	Reserved	0 0000b
[30:29]	Access Mode	00b (byte mode) 10b (sector mode) -[*Higher than 2GB only]
[31]	eMMC power up status bit (busy) ¹	

NOTE :

- 1) This bit is set to LOW if the eMMC has not finished the power up routine.
 2) The voltage for internal flash memory(VDDF) should be 2.7-3.6v regardless of OCR Register value.

6.2 CID Register

Name	Field	Width	CID-slice	CID Value
Manufacturer ID	MID	8	[127:120]	0x15
Reserved		6	[119:114]	---
Card/BGA	CBX	2	[113:112]	01
OEM/Application ID	OID	8	[111:104]	--- ¹
Product name	PNM	48	[103:56]	See Product name table
Product revision	PRV	8	[55:48]	--- ²
Product serial number	PSN	32	[47:16]	--- ³
Manufacturing date	MDT	8	[15:8]	--- ⁴
CRC7 checksum	CRC	7	[7:1]	--- ⁵
not used, always '1'	-	1	[0:0]	---

NOTE :

- 1),4),5) description are same as eMMC JEDEC standard
 2) PRV is composed of the revision count of controller and the revision count of F/W patch
 3) A 32 bits unsigned binary integer. (Random Number)

6.2.1 Product name table (In CID Register)

Part Number	Density	Product Name in CID Register (PNM)
KLM4G1FE3B-B001	4 GB	0 x 4D3447314642
KLM8G2FE3B-B001	8 GB	0 x 4D3847324642
KLMA4FE3B-A001	16 GB	0 x 4D4147344642
KLMBG8FE3B-A001	32 GB	0 x 4D4247384642

6.3 CSD Register

The Card-Specific Data register provides information on how to access the e-MMC contents. The CSD defines the data format, error correction type, maximum data access time, data transfer speed, whether the DSR register can be used etc. The programmable part of the register (entries marked by W or E, see below) can be changed by CMD27. The type of the entries in the table below is coded as follows:

R : Read only

W: One time programmable and not readable.

R/W: One time programmable and readable.

W/E : Multiple writable with value kept after power failure, H/W reset assertion and any CMD0 reset and not readable.

R/W/E: Multiple writable with value kept after power failure, H/W reset assertion and any CMD0 reset and readable.

R/W/C_P: Writable after value cleared by power failure and HW/ rest assertion (the value not cleared by CMD0 reset) and readable.

R/W/E_P: Multiple writable with value reset after power failure, H/W reset assertion and any CMD0 reset and readable.

W/E_P: Multiple writable with value reset after power failure, H/W reset assertion and any CMD0 reset and not readable.

Name	Field	Width	Type	CSD-slice	CSD Value			
					4GB	8GB	16GB	32GB
CSD structure	CSD_STRUCTURE	2	R	[127:126]	0x03			
System specification version	SPEC_VERS	4	R	[125:122]	0x04			
Reserved	-	2	R	[121:120]	-			
Data read access-time 1	TAAC	8	R	[119:112]	0x27			
Data read access-time 2 in CLK cycles (NSAC*100)	NSAC	8	R	[111:104]	0x01			
Max. bus clock frequency	TRAN_SPEED	8	R	[103:96]	0x32			
Card command classes	CCC	12	R	[95:84]	0xF5			
Max. read data block length	READ_BL_LEN	4	R	[83:80]	0x09			
Partial blocks for read allowed	READ_BL_PARTIAL	1	R	[79:79]	0x00			
Write block misalignment	WRITE_BLK_MISALIGN	1	R	[78:78]	0x00			
Read block misalignment	READ_BLK_MISALIGN	1	R	[77:77]	0x00			
DSR implemented	DSR_IMP	1	R	[76:76]	0x00			
Reserved	-	2	R	[75:74]	-			
Card size	C_SIZE	12	R	[73:62]	0xFFF			
Max. read current @ VDD min	VDD_R_CURR_MIN	3	R	[61:59]	0x06			
Max. read current @ VDD max	VDD_R_CURR_MAX	3	R	[58:56]	0x06			
Max. write current @ VDD min	VDD_W_CURR_MIN	3	R	[55:53]	0x06			
Max. write current @ VDD max	VDD_W_CURR_MAX	3	R	[52:50]	0x06			
Card size multiplier	C_SIZE_MULT	3	R	[49:47]	0x07			
Erase group size	ERASE_GRP_SIZE	5	R	[46:42]	0x1F			
Erase group size multiplier	ERASE_GRP_MULT	5	R	[41:37]	0x1F			
Write protect group size	WP_GRP_SIZE	5	R	[36:32]	0x07	0x0F		
Write protect group enable	WP_GRP_ENABLE	1	R	[31:31]	0x01			
Manufacturer default ECC	DEFAULT_ECC	2	R	[30:29]	0x00			
Write speed factor	R2W_FACTOR	3	R	[28:26]	0x02			
Max. write data block length	WRITE_BL_LEN	4	R	[25:22]	0x09			
Partial blocks for write allowed	WRITE_BL_PARTIAL	1	R	[21:21]	0x00			
Reserved	-	4	R	[20:17]	-			
Content protection application	CONTENT_PROT_APP	1	R	[16:16]	0x00			
File format group	FILE_FORMAT_GRP	1	R/W	[15:15]	0x00			
Copy flag (OTP)	COPY	1	R/W	[14:14]	0x01			
Permanent write protection	PERM_WRITE_PROTECT	1	R/W	[13:13]	0x00			
Temporary write protection	TMP_WRITE_PROTECT	1	R/W/E	[12:12]	0x00			
File format	FILE_FORMAT	2	R/W	[11:10]	0x00			
ECC code	ECC	2	R/W/E	[9:8]	0x00			
CRC	CRC	7	R/W/E	[7:1]	-			
Not used, always '1'	-	1	-	[0:0]	-			

6.4 Extended CSD Register

The Extended CSD register defines the eMMC properties and selected modes. It is 512 bytes long.

The most significant 320 bytes are the Properties segment, which defines the eMMC capabilities and cannot be modified by the host. The lower 192 bytes are the Modes segment, which defines the configuration the eMMC is working in. These modes can be changed by the host by means of the SWITCH command.

R : Read only

W: One time programmable and not readable.

R/W: One time programmable and readable.

W/E : Multiple writable with value kept after power failure, H/W reset assertion and any CMD0 reset and not readable.

R/W/E: Multiple writable with value kept after power failure, H/W reset assertion and any CMD0 reset and readable.

R/W/C_P: Writable after value cleared by power failure and H/W reset assertion (the value not cleared by CMD0 reset) and readable.

R/W/E_P: Multiple writable with value reset after power failure, H/W reset assertion and any CMD0 reset and readable.

W/E/_P: Multiple writable with value reset after power failure, H/W reset assertion and any CMD0 reset and not readable

Name	Field	Size (Bytes)	Cell Type	CSD-slice	CSD Value			
					4GB	8GB	16GB	32GB
Properties Segment								
Reserved ¹		7	-	[511:505]	-			
Supported Command Sets	S_CMD_SET	1	R	[504]	0x01			
HPI features	HPI_FEATURES	1	R	[503]	0x03			
Background operations support	BKOPS_SUPPORT	1	R	[502]	0x01			
Reserved ¹		255	-	[501:247]	-			
Background operations status	BKOPS_STATUS	1	R	[246]	0x00			
Number of correctly programmed sectors	CORRECTLY_PRG_SECTOR_S_NUM	4	R	[245:242]	0x00			
1st initialization time after partitioning	INI_TIMEOUT_AP	1	R	[241]	0x0A	0x14	0x1E	
Reserved ¹		1	-	[240]	-			
Power class for 52MHz, DDR at 3.6V	PWR_CL_DDR_52_360	1	R	[239]	0x00			
Power class for 52MHz, DDR at 1.95V	PWR_CL_DDR_52_195	1	R	[238]	0x00			
Reserved ¹		2	-	[237:236]	-			
Minimum Write Performance for 8 bit at 52MHz in DDR mode	MIN_PERF_DDR_W_8_52	1	R	[235]	0x00			
Minimum Read Performance for 8 bit at 52MHz in DDR mode	MIN_PERF_DDR_R_8_52	1	R	[234]	0x00			
Reserved ¹		1	-	[233]	-			
TRIM Multiplier	TRIM_MULT	1	R	[232]	0x02			
Secure Feature support	SEC_FEATURE_SUPPORT	1	R	[231]	0x15			
Secure Erase Multiplier	SEC_ERASE_MULT	1	R	[230]	0x0A			
Secure TRIM Multiplier	SEC_TRIM_MULT	1	R	[229]	0x0A			
Boot information	BOOT_INFO	1	R	[228]	0x07			
Reserved ¹		1	-	[227]	-			
Boot partition size	BOOT_SIZE_MULT ⁽²⁾	1	R/W	[226]	0x08	0x10		
Access size	ACC_SIZE	1	R	[225]	0x05			
High-capacity erase unit size	HC_ERASE_GRP_SIZE	1	R	[224]	0x01			
High-capacity erase timeout	ERASE_TIMEOUT_MULT	1	R	[223]	0x01			
Reliable write sector count	REL_WR_SEC_C	1	R	[222]	0x01			
High-capacity write protect group size	HC_WP_GRP_SIZE	1	R	[221]	0x08	0x10		
Sleep current (VDDF)	S_C_VDDF	1	R	[220]	0x07			
Sleep current (VDD)	S_C_VDD	1	R	[219]	0x07			
Reserved ¹		1	-	[218]	-			
Sleep/awake timeout	S_A_TIMEOUT	1	R	[217]	0x12			
Reserved ¹		1	-	[216]	-			

Sector Count	SEC_COUNT	4	R	[215:212]	0x748 000	0xE90 000	0x1D 1F000	0x3A3 E000
Reserved ¹		1	-	[211]	-			
Minimum Write Performance for 8bit @52MHz	MIN_PERF_W_8_52	1	R	[210]	0x00			
Minimum Read Performance for 8bit @52MHz	MIN_PERF_R_8_52	1	R	[209]	0x00			
Minimum Write Performance for 8bit @26MHz /4bit @52MHz	MIN_PERF_W_8_26_4_52	1	R	[208]	0x00			
Minimum Read Performance for 8bit @26MHz /4bit @52MHz	MIN_PERF_R_8_26_4_52	1	R	[207]	0x00			
Minimum Write Performance for 4bit @26MHz	MIN_PERF_W_4_26	1	R	[206]	0x00			
Minimum Read Performance for 4bit @26MHz	MIN_PERF_R_4_26	1	R	[205]	0x00			
Reserved ¹		1	-	[204]	-			
Power Class for 26MHz @ 3.6V	PWR_CL_26_360	1	R	[203]	0x00			
Power Class for 52MHz @ 3.6V	PWR_CL_52_360	1	R	[202]	0x00			
Power Class for 26MHz @ 1.95V	PWR_CL_26_195	1	R	[201]	0x00			
Power Class for 52MHz @ 1.95V	PWR_CL_52_195	1	R	[200]	0x00			
Partition switching timing	PARTITION_SWITCH_TIME	1	R	[199]	0x01			
Out-of-interrupt busy timing	OUT_OF_INTERRUPT_TIME	1	R	[198]	0x01			
Reserved ¹		1	-	[197]	-			
Card Type	CARD_TYPE	1	R	[196]	0x07			
Reserved ¹		1	-	[195]	-			
CSD Structure Version	CSD_STRUCTURE	1	R	[194]	0x02			
Reserved ¹		1	-	[193]	-			
Extended CSD Revision	EXT_CSD_REV	1	R	[192]	0x05			
Modes Segment								
Command Set	CMD_SET	1	R/W	[191]	0x00			
Reserved ¹		1	-	[190]	-			
Command Set Revision	CMD_SET_REV	1	R	[189]	0x00			
Reserved ¹		1	-	[188]	-			
Power Class	POWER_CLASS	1	R/W	[187]	0x00			
Reserved ¹		1	-	[186]	-			
High Speed Interface Timing	HS_TIMING	1	R/W	[185]	0x00			
Reserved ¹		1	-	[184]	-			
Bus Width Mode	BUS_WIDTH	1	W/E_P	[183]	0x00			
Reserved ¹		1	-	[182]	-			
Erased Memory Content	ERASED_MEM_CONT	1	R	[181]	0x00			
Reserved ¹		1	-	[180]	-			
Partition configuration	PARTITION_CONFIG	1	R/W/E & R/W/E_P	[179]	0x00			
Boot config protection	BOOT_CONFIG_PRPT	1	R/W & R/W/C_P	[178]	0x00			
Boot bus width	BOOT_BUS_WIDTH	1	R/W/E	[177]	0x00			
Reserved ¹		1	-	[176]	-			
High-density erase group definition	ERASE_GROUP_DEF	1	R/W/E_P	[175]	0x00			
Reserved ¹		1	-	[174]	-			
Boot area write protection register	BOOT_WP	1	R/W & R/W/C_P	[173]	0x00			
Reserved ¹		1	-	[172]	-			

User area write protection register	USER_WP	1	R/W, R/W/C_P& R/W/E_P	[171]	0x00			
Reserved ¹		1	-	[170]	-			
FW configuration	FW_CONFIG	1	R/W	[169]	0x00			
RPMB Size	RPMB_SIZE_MULT	1	R	[168]	0x01			
Write reliability setting register	WR_REL_SET	1	R/W	[167]	0x1F			
Write reliability parameter register	WR_REL_PARAM	1	R	[166]	0x05			
Reserved ¹		1	-	[165]	-			
Manually start background operations	BKOPS_START	1	W/E_P	[164]	0x00			
Enable background operations handshake	BKOPS_EN	1	R/W	[163]	0x00			
H/W reset function	RST_n_FUNCTION	1	R/W	[162]	0x00			
HPI management	HPI_MGMT	1	R/W/E_P	[161]	0x00			
Partitioning support	RARTITIONING_SUPPORT	1	R	[160]	0x03			
Max Enhanced Area Size	MAX_ENH_SIZE_MULT	3	R	[159:157]	0x1D2	0x1D2	0x3A3	0x747
Partitions attribute	PARTITIONS_ATTRIBUTE	1	R/W	[156]	0x00			
Partitioning Setting	PARTITION_SETTING_COMPLETED	1	R/W	[155]	0x00			
General Purpose Partition Size	GP_SIZE_MULT	12	R/W	[154:143]	0x00			
Enhanced User Data Area Size	ENH_SIZE_MULT	3	R/W	[142:140]	0x00			
Enhanced User Data Start Address	ENH_START_ADDR	4	R/W	[139:136]	0x00			
Reserved ¹		1	-	[135]	-			
Bad Block Management mode	SEC_BAD_BLK_MGMT	1	R/W	[134]	0x00			
Reserved ¹		134	-	[133:0]	-			

NOTE :

1) Reserved bits should be read as "0."

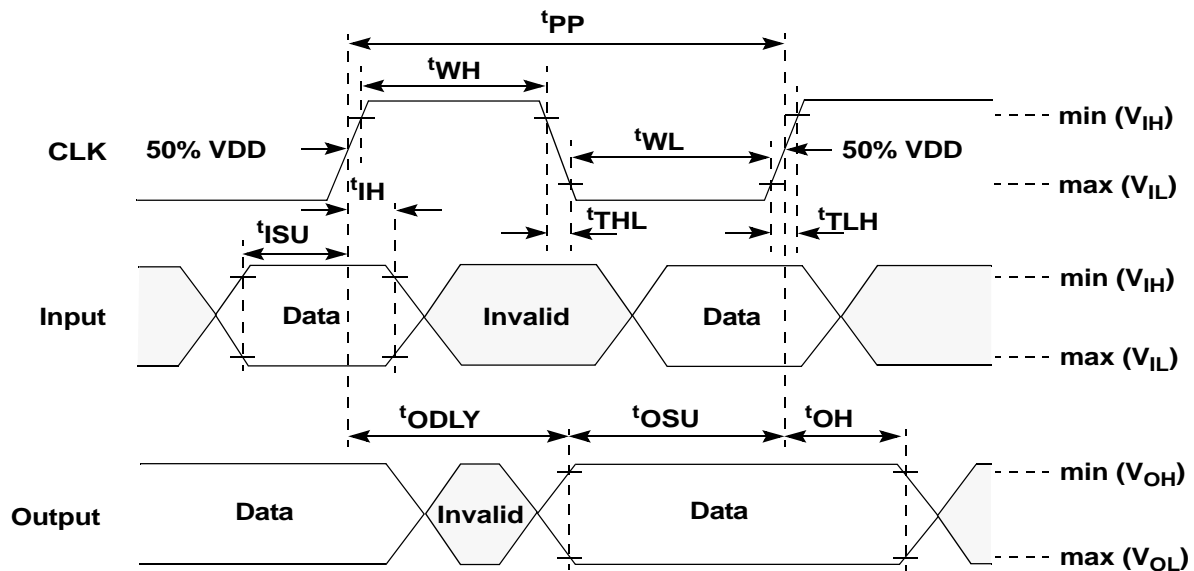
7.0 AC PARAMETER

7.1 Time Parameter

Timing Parameter	Max. Value	Unit
Initialization Time (tINIT)	1	s
Read Timeout	100	ms
Write Timeout	350	ms
Erase Timeout	10	ms
Force Erase Timeout	3	min
Secure Erase Timeout	3	s
Secure Trim step1 Timeout ¹⁾	600	ms
Secure Trim step2 Timeout	3	s
Trim Timeout ¹⁾	600	ms
Partition Switching Timeout (after Init)	100	us

NOTE:
1) If 8KB Size and Address are aligned, Max. Timeout value is 300ms

7.2 Bus Timing Parameter



Data must always be sampled on the rising edge of the clock.

Figure 10. Bus signal levels

Default (under 26MHz)

Parameter	Symbol	Min	Max	Unit	Remark ¹
Clock CLK(All values are referred to min(V _{IH}) and max(V _{IL}) ²)					
Clock frequency Data Transfer Mode3	f _{PP}	0 ⁴	26	MHz	CL ≤ 30 pF Tolerance: +100KHz
Clock frequency Identification Mode	f _{OD}	0 ⁴	400	kHz	Tolerance: +20KHz
Clock low time	t _{WL}	10		ns	C _L ≤ 30 pF
Clock high time	t _{WH}	10			
Clock rise time ⁵	t _{TLH}		10	ns	C _L ≤ 30 pF
Clock fall time	t _{THL}		10	ns	C _L ≤ 30 pF
Inputs CMD, DAT (referenced to CLK)					
Input set-up time	t _{ISU}	3		ns	C _L ≤ 30 pF
Input hold time	t _{IH}	3		ns	C _L ≤ 30 pF
Outputs CMD, DAT (referenced to CLK)					
Output hold time	t _{OH}	8.3		ns	CL ≤ 30 pF
Output set-up time	t _{OSU}	11.7		ns	CL ≤ 30 pF

NOTE :

- 1)The card must always start with the backward-compatible interface timing mode can be switched to high-speed interface timing by the host sending the SWITCH command (CMD6) with the argument for high-speed interface select.
- 2) CLK timing is measured at 50% of VDD.
- 3) For compatibility with cards that support the v4.2 standard or earlier version, host should not use >20MHz before switching to high-speed interface timing.
- 4) Frequency is periodically sampled and is not 100% tested.
- 5) CLK rise and fall times are measured by min(V_{IH}) and max(V_{IL}).

High-Speed Mode

Parameter	Symbol	Min	Max	Unit	Remark
Clock CLK(All values are referred to min(V _{IH}) and max(V _{IL}) ¹)					
Clock frequency Data Transfer Mode ²	f _{PP}	0 ³	52 ⁴	MHz	C _L ≤ 30 pF
Clock frequency Identification Mode	f _{OD}	0 ³	400	kHz	CL ≤ 30 pF
Clock low time	t _{WL}	6.5		ns	C _L ≤ 30 pF
Clock High time	t _{WH}	6.5		ns	C _L ≤ 30 pF
Clock rise time ⁵	t _{TLH}		3	ns	C _L ≤ 30 pF
Clock fall time	t _{THL}		3	ns	C _L ≤ 30 pF
Inputs CMD, DAT (referenced to CLK)					
Input set-up time	t _{ISU}	3		ns	C _L ≤ 30 pF
Input hold time	t _{IH}	3		ns	C _L ≤ 30 pF
Outputs CMD, DAT (referenced to CLK)					
Output Delay time during Data Transfer Mode	t _{ODLY}		13.7	ns	CL ≤ 30 pF
Output hold time	t _{OH}	2.5			C _L ≤ 30 pF
Signal rise time	t _{RISE}		3	ns	C _L ≤ 30 pF
Signal fall time	t _{FALL}		3	ns	C _L ≤ 30 pF

NOTE :

- 1) CLK timing is measured at 50% of VDD.
- 2) A MultiMediaCard shall support the full frequency range from 0-26MHz, or 0-52MHz
- 3) Frequency is periodically sampled and is not 100% tested.
- 4) Card can operate as high-speed card interface timing at 26MHz clock frequency.
- 5) CLK rise and fall times are measured by min(V_{IH}) and max(V_{IL}).6) Inputs CMD, DAT rise and fall times are measured by min(V_{IH}) and max(V_{IL}), and outputs CMD, DAT rise and fall times are measured by min(V_{OH}) and max(V_{OL}).

7.3 Bus timing for DAT signals during 2x data rate operation

These timings applies to the DAT[7:0] signals only when the device is configured for dual data mode operation. In this dual data mode, the DAT signals operates synchronously of both the rising and the falling edges of CLK. The CMD signal still operates synchronously of the rising edge of CLK and therefore it complies with the bus timing specified in chapter 7.2. Therefore there is no timing change for the CMD signal

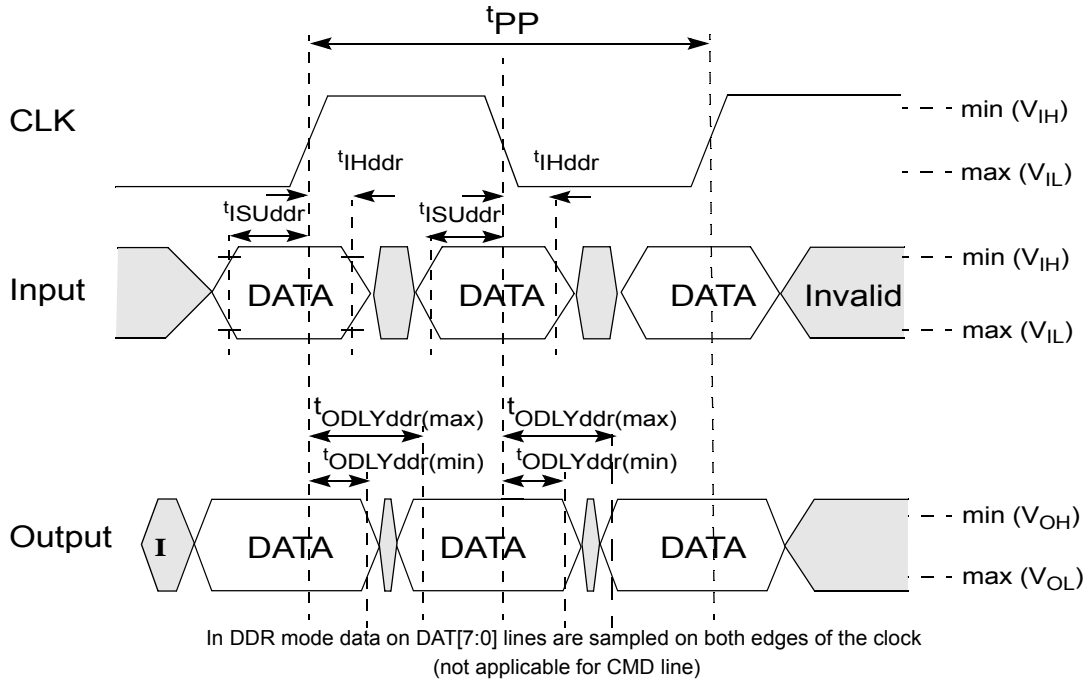


Figure 11. Timing diagram: data input/output in dual data rate mode

7.3.1 Dual data rate interface timings

[Table 27] High-speed dual rate interface timing

Parameter	Symbol	Min	Max.	Unit	Remark ¹
Input CLK ¹					
Clock duty cycle		45	55	%	Includes jitter, phase noise
Input DAT (referenced to CLK-DDR mode)					
Input set-up time	t _{ISUddr}	2.5		ns	CL ≤ 20 pF
Input hold time	t _{IHddr}	2.5		ns	CL ≤ 20 pF
Output DAT (referenced to CLK-DDR mode)					
Output delay time during data transfer	t _{ODLYddr}	1.5	7	ns	CL ≤ 20 pF
Signal rise time (all signals) ²	t _{RISE}		2	ns	CL ≤ 20 pF
Signal fall time (all signals)	t _{FALL}		2	ns	CL ≤ 20 pF

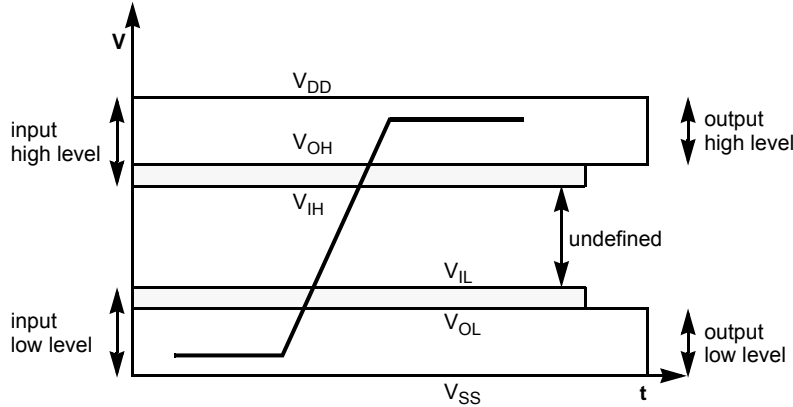
NOTE :

1) CLK timing is measured at 50% of VDD

2) Inputs CMD, DAT rise and fall times are measured by min(V_{IH}) and max(V_{IL}), and outputs CMD, DAT rise and fall times measured by min(V_{OH}) and max(V_{OL})

7.4 Bus signal levels

As the bus can be supplied with a variable supply voltage, all signal levels are related to the supply voltage.



7.4.1 Open-drain mode bus signal level

[Table 28] Open-drain bus signal level

Parameter	Symbol	Min	Max.	Unit	Conditions
Output HIGH voltage	V_{OH}	$V_{DD} - 0.2$		V	$I_{OH} = -100 \mu A$
Output LOW voltage	V_{OL}		0.3	V	$I_{OL} = 2 \text{ mA}$

The input levels are identical with the push-pull mode bus signal levels.

7.4.2 Push-pull mode bus signal level.high-voltage MultiMediaCard

To meet the requirements of the JEDEC standard JESD8C.01, the card input and output voltages shall be within the following specified ranges for any V_{DD} of the allowed voltage range:

[Table 29] Push-pull signal level.high-voltage MultiMediaCard

Parameter	Symbol	Min	Max.	Unit	Conditions
Output HIGH voltage	V_{OH}	$0.75 \cdot V_{DD}$		V	$I_{OH} = -100 \mu A @ V_{DD} \text{ min}$
Output LOW voltage	V_{OL}		$0.125 \cdot V_{DD}$	V	$I_{OL} = 100 \mu A @ V_{DD} \text{ min}$
Input HIGH voltage	V_{IH}	$0.625 \cdot V_{DD}$	$V_{DD} + 0.3$	V	
Input LOW voltage	V_{IL}	$V_{SS} - 0.3$	$0.25 \cdot V_{DD}$	V	

7.4.3 Push-pull mode bus signal level.dual-voltage MultiMediaCard

The definition of the I/O signal levels for the Dual voltage MultiMediaCard changes as a function of V_{DD} .

- 2.7V - 3.6V: Identical to the High Voltage MultiMediaCard (refer to Chapter 7.4.2 on page32 above).
- 1.95V - 2.7V: Undefined. The card is not operating at this voltage range.
- 1.70V - 1.95V: Compatible with EIA/JEDEC Standard "EIA/JESD8-7 Normal Range" as defined in the following table.

[Table 30] Push-pull signal level—dual-voltage MultiMediaCard

Parameter	Symbol	Min	Max.	Unit	Conditions
Output HIGH voltage	V_{OH}	$V_{DD} - 0.45V$		V	$I_{OH} = -2mA$
Output LOW voltage	V_{OL}		0.45V	V	$I_{OL} = 2mA$
Input HIGH voltage	V_{IH}	$0.65 \cdot V_{DD}^{1)}$	$V_{DD} + 0.3$	V	
Input LOW voltage	V_{IL}	$V_{SS} - 0.3$	$0.35 \cdot V_{DD}^{2)}$	V	

NOTE:

- 1) $0.7 \cdot V_{DD}$ for MMC4.3 and older revisions.
- 2) $0.3 \cdot V_{DD}$ for MMC4.3 and older revisions.

7.4.4 Push-pull mode bus signal level.eMMC

The definition of the I/O signal levels for the eMMC devices changes as a function of VCCQ.

- 2.7V-3.6: Identical to the High Voltage MultiMediaCard (refer to Chapter 7.4.2 on page32).
- 1.95- 2.7V: Undefined. The eMMC device is not operating at this voltage range.
- 1.65V-1.95V: Identical to the 1.8V range for the Dual Voltage MultiMediaCard (refer to Chapter 7.4.3 on page32).
- 1.3V - 1.65V: Undefined. The eMMC device is not operating at this voltage range.
- 1.1V-1.3V: Compatible with EIA/JEDEC Standard "JESD8-12A.01 normal range: as defined in the following table.

[Table 31] Push-pull signal level.1.1V-1.3V VCCQ range eMMC

Parameter	Symbol	Min	Max.	Unit	Conditions
Output HIGH voltage	V_{OH}	$0.75V_{CCQ}$		V	$I_{OH} = -2mA$
Output LOW voltage	V_{OL}		$0.25V_{CCQ}$	V	$I_{OL} = 2mA$
Input HIGH voltage	V_{IH}	$0.65*V_{CCQ}$	$V_{CCQ} + 0.3$	V	
Input LOW voltage	V_{IL}	$V_{SS} - 0.3$	$0.35*V_{CCQ}$	V	

8.0 DC PARAMETER

8.1 Active Power Consumption during operation

Density	NAND Type	CTRL	NAND	Unit
4GB	32Gb MLC x 1	100	50	mA
8GB	32Gb MLC x 2		100	
16GB	32Gb MLC x 4			
32GB	32Gb MLC x 8			

* Power Measurement conditions: Bus configuration =x8 @52MHz

* The measurement for max RMS current is the average RMS current consumption over a period of 100ms.

8.2 Standby Power Consumption in auto power saving mode and standby state.

Density	NAND Type	CTRL		NAND		Unit
		25°C(Typ)	85°C	25°C(Typ)	85°C	
4GB	32Gb MLC x 1	100	250	15	50	uA
8GB	32Gb MLC x 2			30	100	
16GB	32Gb MLC x 4			60	200	
32GB	32Gb MLC x 8			120	400	

NOTE:

Power Measurement conditions: Bus configuration =x8 @52MHz , No CLK

*Typical value is measured at Vcc=3.3V, TA=25°C. Not 100% tested.

8.3 Sleep Power Consumption in Sleep State

Density	NAND Type	CTRL		NAND	Unit
		25°C(Typ)	85°C		
4GB	32Gb MLC x 1	100	250	0 ¹⁾	uA
8GB	32Gb MLC x 2				
16GB	32Gb MLC x 4				
32GB	32Gb MLC x 8				

NOTE:

Power Measurement conditions: Bus configuration =x8 @52MHz ,

1) In auto power saving mode , NAND power can not be turned off .However in sleep mode NAND power can be turned off. If NAND power is alive , NAND power is same with that of the Standby state.

8.4 Supply Voltage

Item	Min	Max	Unit
VDD	1.70 (2.7)	1.95 (3.6)	V
VDDF	2.7	3.6	V
Vss	-0.5	0.5	V

8.5 Bus Operating Conditions

Parameter	Min	Max	Unit
Peak voltage on all lines	-0.5	3.6	V
Input Leakage Current	-2	2	μA
Output Leakage Current	-2	2	μA

8.6 Bus Signal Line Load

The total capacitance C_L of each line of the e-MMC bus is the sum of the bus master capacitance C_{HOST} , the bus capacitance C_{BUS} itself and the capacitance C_{movi} of the e-MMC connected to this line:

$$C_L = C_{HOST} + C_{BUS} + C_{movi}$$

The sum of the host and bus capacitances should be under 20pF.

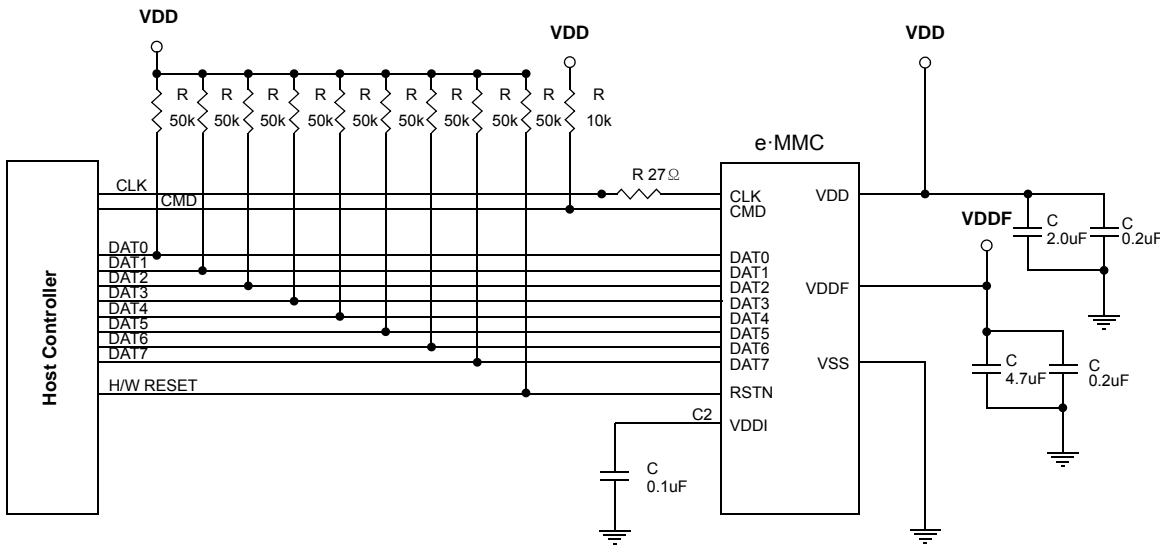
Parameter	Symbol	Min	Typ.	Max	Unit	Remark
Pull-up resistance for CMD	R_{CMD}	4.7		100	KOhm	to prevent bus floating
Pull-up resistance for DAT0-DAT7	R_{DAT}	10		100	KOhm	to prevent bus floating
Internal pull up resistance DAT1-DAT7	R_{int}	10		150	KOhm	to prevent unconnected lines floating
Single e-MMC capacitance	C_{movi}		7	12	pF	
Maximum signal line inductance				16	nH	$f_{pp} \leq 52$ MHz

A. eMMC Connection Guide

This Connection guide is an example for customers to adopt e-MMC more easily

- This appendix is just guideline for e-MMC connection. This value and schematic can be changed depending on the system environment.
- Coupling capacitor should be connected with VDD and VSS as closely as possible.
- VDDI Capacitor is min 0.1uF
- Impedance on CLK match is needed.
- SAMSUNG recommends 27Ω for resistance on CLK line. However 0Ω ~47Ω is also available.
- If host does not have a plan to use H/W reset, it is not needed to put 50KΩ pull-up resistance on H/W rest line.
- SMASUNG Recommends to separate VDD and VDDF power.

A.1 x8 support Host connection Guide



A.2 x4 support Host connection Guide

