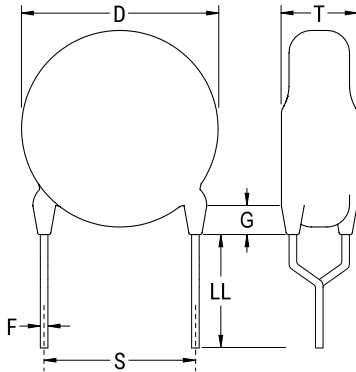


KEMET Part Number: KJY471KR31DGAAA
(C803FR471K400CP)

KJY SFTY X1-400 Y2-250, Ceramic, 470 pF, 10%, 400 VAC (X1), 250 VAC (Y2), Y5P, Lead Spacing = 7.5mm



Dimensions	
D	8mm MAX
T	5mm MAX
S	7.5mm MAX
LL	25mm +/-1mm
F	0.6mm +/-0.1mm

Packaging Specifications	
Packaging:	Bulk, Bag

General Information	
Supplier:	KEMET
Series:	KJY SFTY X1-400 Y2-250
Style:	Radial Disc
RoHS:	Yes
Termination:	Tin
Failure Rate:	N/A
Qualifications:	ENEC, cUL, CQC, VDE

Specifications	
Capacitance:	470 pF
Capacitance Tolerance:	10%
Voltage AC:	400 VAC (X1), 250 VAC (Y2)
Dielectric Withstanding Voltage:	2600 VDC
Temperature Range:	-25/+85C
Temperature Coefficient:	Y5P
Dissipation Factor:	2.50%
Insulation Resistance:	10 GOhms
Safety Class:	X1/Y2