



Alcoswitch

TE Internal #: 7-1437621-0

5056 Aluminum Alloy, Diamond Knurl Knob Design, 6.35 mm [.25 in] Shaft Size, Product Diameter 12.7 mm [.5 in], Natural, Line, Switch Knobs

[View on TE.com >](#)

Switches > Switch Knobs



Primary Product Material: **5056 Aluminum Alloy**

Knob Design: **Diamond Knurl**

Shaft Size: **6.35 mm [.25 in]**

Product Diameter: **12.7 mm [.5 in]**

Primary Product Color: **Natural**

**Features**

**Configuration Features**

Skirt	Without
Spinner	Without
Spin Plate	Without
Knob Design	Diamond Knurl

**Body Features**

Primary Product Material	5056 Aluminum Alloy
Primary Product Color	Natural

**Dimensions**

Shaft Size	6.35 mm [.25 in]
Product Diameter	12.7 mm [.5 in]

**Identification Marking**

Indicator Style	Line
Indicator Location	Side



## Product Compliance

[For compliance documentation, visit the product page on TE.com>](#)

EU RoHS Directive 2011/65/EU	Not Compliant
EU ELV Directive 2000/53/EC	Not Compliant
China RoHS 2 Directive MIIT Order No 32, 2016	Restricted Materials Above Threshold
EU REACH Regulation (EC) No. 1907/2006	Current ECHA Candidate List: JUNE 2024 (241) Candidate List Declared Against: JUNE 2024 (241) SVHC > Threshold: Pb (.6% in Component Part) <b>Article Safe Usage Statements:</b> Do not eat, drink or smoke when using this product. Wash thoroughly after handling. Recycle if possible and dispose of the article by following all applicable governmental regulations relevant to your geographic location.
Halogen Content	Low Halogen - Br, Cl, F, I < 900 ppm per homogenous material. Also BFR/CFR/PVC Free
Solder Process Capability	Not applicable for solder process capability

### Product Compliance Disclaimer

This information is provided based on reasonable inquiry of our suppliers and represents our current actual knowledge based on the information they provided. This information is subject to change. The part numbers that TE has identified as EU RoHS compliant have a maximum concentration of 0.1% by weight in homogenous materials for lead, hexavalent chromium, mercury, PBB, PBDE, DBP, BBP, DEHP, DIBP, and 0.01% for cadmium, or qualify for an exemption to these limits as defined in the Annexes of Directive 2011/65/EU (RoHS2). Finished electrical and electronic equipment products will be CE marked as required by Directive 2011/65/EU. Components may not be CE marked. Additionally, the part numbers that TE has identified as EU ELV compliant have a maximum concentration of 0.1% by weight in homogenous materials for lead, hexavalent chromium, and mercury, and 0.01% for cadmium, or qualify for an exemption to these limits as defined in the Annexes of Directive 2000/53/EC (ELV). Regarding the REACH Regulation, the information TE provides on SVHC in articles for this part number is based on the latest European Chemicals Agency (ECHA) 'Guidance on requirements for substances in articles' posted at this URL: <https://echa.europa.eu/guidance-documents/guidance-on-reach>

## Compatible Parts

 <p>TE Part # 7-1437621-2 KD500B1/4=KNOB BLK DIAMOND KNU</p>	 <p>TE Part # 7-1437621-3 KD500B1/8=KNOB BLK DIAMOND KNU</p>	 <p>TE Part # 7-1437621-4 KD700A1/4=KNOB AL DIAMOND KNUR</p>	 <p>TE Part # 7-1437621-5 KD700B1/4=KNOB BLK DIAMOND KNU</p>
---	---	---	---

## Customers Also Bought




TE Part #776427-4  
AS16, PLUG ASSY, ST, 02P, N SEAL,  
CODE D



TE Part #640456-9  
09P MTA100 HDR ASSY F/L SQ STR



TE Part #3-2176058-3  
RLP73K 3A R22 5% 2K RL



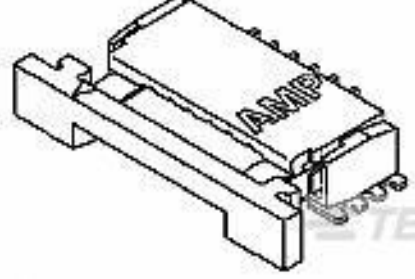
TE Part #1-640445-2  
12P MTA156 HDR ASSY FL/STR SN



TE Part #1-640445-0  
10P MTA156 HDR ASSY FL/STR SN



TE Part #640445-4  
04P MTA156 HDR ASSY FL/STR SN



TE Part #84952-4  
1MM FPC HORZ. BTM CONT. ASS. 4P



TE Part #1565917-4  
EMBOSS ASSY DDR2 SODIMM  
SOCKET 200P 5.2H



TE Part #776492-2  
SOC, SF, SIZE 16, 14-18 AWG, NI/SN

## Documents

### CAD Files

3D PDF

3D

Customer View Model

[ENG\\_CVM\\_CVM\\_7-1437621-0\\_A\\_c-7-1437621-0-a.2d\\_dxf.zip](#)

English

Customer View Model

[ENG\\_CVM\\_CVM\\_7-1437621-0\\_A\\_c-7-1437621-0-a.3d\\_igs.zip](#)

English

Customer View Model

[ENG\\_CVM\\_CVM\\_7-1437621-0\\_A\\_c-7-1437621-0-a.3d\\_stp.zip](#)

English

By downloading the CAD file I accept and agree to the [Terms and Conditions](#) of use.

### Datasheets & Catalog Pages

[Alcoswitch Products](#)

English