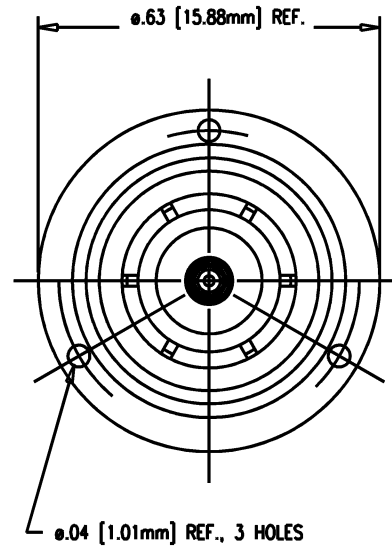
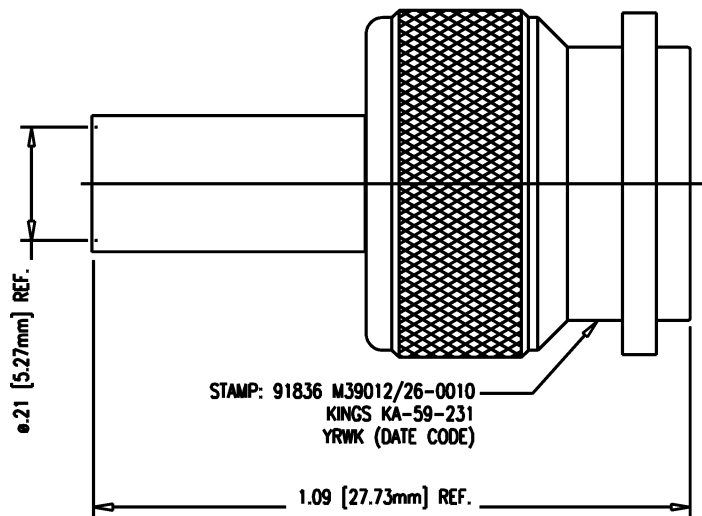


DASH NO.	M CODE	MADE FROM
----------	--------	-----------

# GSD

M39012/26-0010

REVISIONS	
ISSUE	CHANGES
0	ER 11179 WLA 05/20/74
1	CN 12970 A GA 01/11/74
2	CN 21734 C PAS 04/16/81
3	CN 32301 A LNM 06/19/90
4	CN 38728 E BDH 12/04/02



**NOTES:**

- FOR USE WITH RG-58, 58A, 58C, 141, AND 141A CABLES.
- FOR CRIMPING USE CRIMP DIE KTH-2001.
- FOR CABLING INSTRUCTIONS SEE CP-465.
- MATERIALS:  
K-GRIP SLEEVE: COMM. BRONZE., ASTM-B135  
OUTER CONTACT: BER. COP., ASTM-B-194  
ALL OTHER METAL PARTS: BRASS, ASTM-B16  
GASKET: SILICONE RUBBER, ZZ-R-765  
INSULATOR: TEFLON, ASTM-D-4894
- FINISHES:  
CENTER CONTACT: HARD GOLD PLATE .0001 PER MIL-G-45204  
ALL OTHER METAL PARTS: SILVER PLATE .0001 MIN. PER QQ-S-365
- ELECTRICAL CHARACTERISTICS:  
NOMINAL IMPEDANCE: 50 OHMS  
FREQUENCY RANGE: DC TO 11 GHz  
WORKING VOLTAGE: 500 VOLTS RMS

SCALE 4:1	
APPROX SURFACE AREA	
KA-59-231	
USED ON	
REF:	
PLUG, TNC	
DRAWN WLA	DATE 05/18/72
DESIGN LI	DATE 05/20/72
APPR.	DATE

**KINGS**  
ELECTRONICS CO., INC.  
ROCK HILL, SOUTH CAROLINA 29730

# GSD

M39012/26-0010