

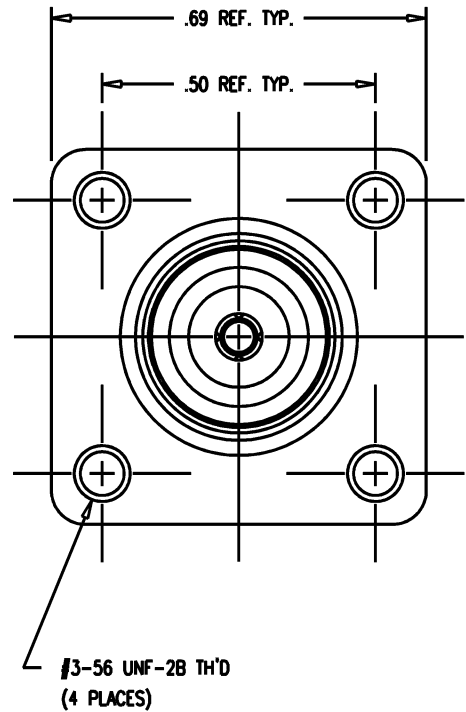
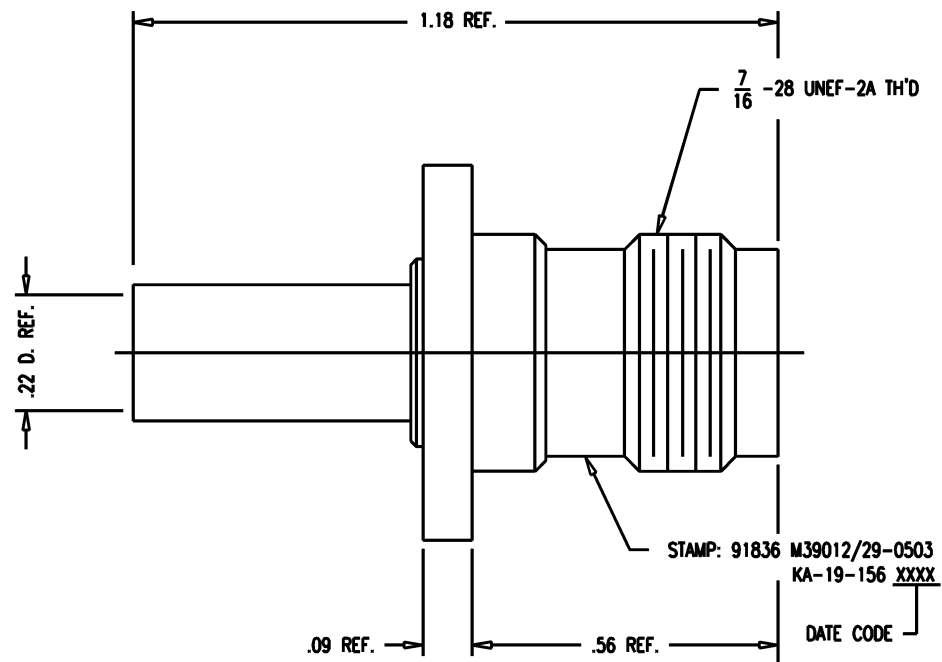
DASH NO.	M CODE	MADE FROM
----------	--------	-----------

# GSD

M39012/29-0503

**REVISIONS**

ISSUE	CHANGES	
8	CN LNM	32302 A 06/20/90



- NOTES:**
- FOR USE WITH RG-142, 223 & 400/U CABLE.
  - FOR CABLING INSTRUCTIONS SEE CP-465.
  - FOR CABLE TRIMMING USE KTJ-113 & KTD-166.
  - FOR CRIMPING USE DIE KTH-2001.
  - INTERFACE PER MIL-STD-348, FIG. 313-2.
  - CENTER CONTACT TO BE SUPPLIED UNASSEMBLED.
  - MATERIALS:**  
INSULATOR: TEFLON, ASTM-D-1457  
CENTER CONTACT: BER. COPPER, ASTM-B-196  
ALL OTHER METAL PARTS: BRASS, QQ-B-626
  - FINISHES:**  
CENTER CONTACT: HARD GOLD PLATE PER MIL-G-45204  
ALL OTHER METAL PARTS: SILVER PLATE PER QQ-S-365
  - ELECTRICAL CHARACTERISTICS:**  
NOMINAL IMPEDANCE: 50 OHMS  
WORKING VOLTAGE: 500 VRMS  
FREQUENCY RANGE: DC TO 11 GHz.

SCALE 4:1	
APPROX SURFACE AREA	
KA-19-156	
USED ON	
REF:	
JACK, PANEL, TNC	
DRAWN KH	DATE 01/21/94
DESIGN MJB	DATE 01/21/94
APPR.	DATE
<b>KINGS</b> ELECTRONICS CO., INC. TUCKAHOE, NEW YORK 10707	
M39012/29-0503	

KAM3424

# GSD