



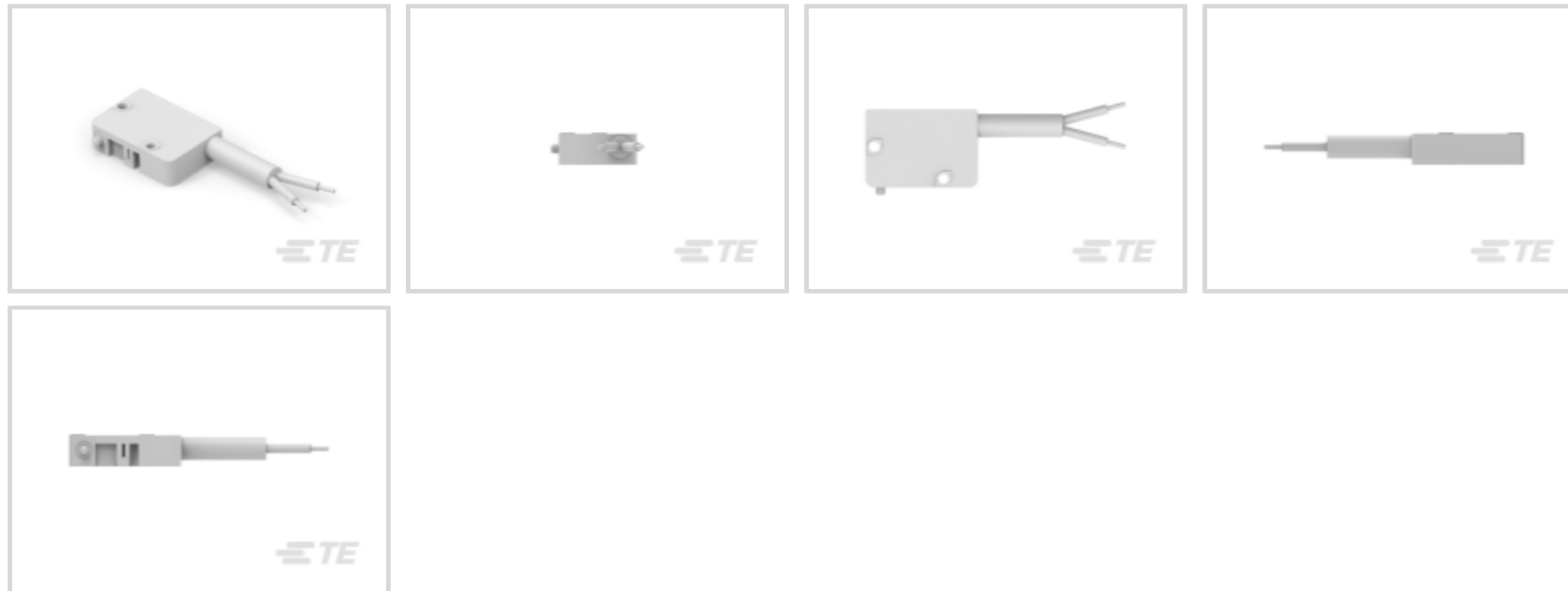
KISSLING | KISSLING Microswitch

TE Internal #: K1149680

Snap Action Switches, Single Pole - Single Throw Configuration (Pole-Throw), Plunger Actuator Style, KISSLING Microswitch

[View on TE.com >](#)

Switches > Snap Action Switches



Configuration (Pole-Throw): **Single Pole - Single Throw**

Actuator Style: **Plunger**

Contact Current Rating: **10.1 A**

Operating Voltage: **24 VDC**

Features

Product Type Features

Sealing Option	Sealed
Actuator Style	Plunger
Switch Connection Type	Cable Connection
Switch Style	Micro

Configuration Features

Configuration (Pole-Throw)	Single Pole - Single Throw
----------------------------	----------------------------

Electrical Characteristics

Contact Current Rating	10.1 A
Operating Voltage	24 VDC

Body Features

Product Orientation	Vertical
---------------------	----------

Industry Standards

IP Rating	IP67
-----------	------

Product Compliance

[For compliance documentation, visit the product page on TE.com>](#)

EU RoHS Directive 2011/65/EU	Not Yet Reviewed
EU ELV Directive 2000/53/EC	Not Yet Reviewed
China RoHS 2 Directive MIIT Order No 32, 2016	Not reviewed for China RoHS compliance
EU REACH Regulation (EC) No. 1907/2006	Current ECHA Candidate List: JUNE 2024 (241) Not Yet Reviewed
Halogen Content	Not Yet Reviewed for halogen content
Solder Process Capability	Not reviewed for solder process capability

Product Compliance Disclaimer

This information is provided based on reasonable inquiry of our suppliers and represents our current actual knowledge based on the information they provided. This information is subject to change. The part numbers that TE has identified as EU RoHS compliant have a maximum concentration of 0.1% by weight in homogenous materials for lead, hexavalent chromium, mercury, PBB, PBDE, DBP, BBP, DEHP, DIBP, and 0.01% for cadmium, or qualify for an exemption to these limits as defined in the Annexes of Directive 2011/65/EU (RoHS2). Finished electrical and electronic equipment products will be CE marked as required by Directive 2011/65/EU. Components may not be CE marked. Additionally, the part numbers that TE has identified as EU ELV compliant have a maximum concentration of 0.1% by weight in homogenous materials for lead, hexavalent chromium, and mercury, and 0.01% for cadmium, or qualify for an exemption to these limits as defined in the Annexes of Directive 2000/53/EC (ELV). Regarding the REACH Regulations, TE's information on SVHC in articles for this part number is still based on the European Chemical Agency (ECHA) 'Guidance on requirements for substances in articles' (Version: 2, April 2011), applying the 0.1% weight on weight concentration threshold at the finished product level. TE is aware of the European Court of Justice ruling of September 10th, 2015 also known as O5A (Once An Article Always An Article) stating that, in case of 'complex object', the threshold for a SVHC must be applied to both the product as a whole and simultaneously to each of the articles forming part of its composition. TE has evaluated this ruling based on the new ECHA "Guidance on requirements for substances in articles" (June 2017, version 4.0) and will be updating its statements accordingly.

Compatible Parts

 <p>TE Part # K1009753 Micro Switch MZW1 081 050</p>	 <p>TE Part # K1136055 Micro Switch MZW1 081 100 (VDE-Konform)</p>	 <p>TE Part # K1149306 Micro Switch MZW1 081 150</p>	 <p>TE Part # K1003104 Micro Switch MZW1 091 050</p>
 <p>TE Part # K1040685 Micro Switch MZW1 092 050</p>	 <p>TE Part # K1152168 Micro Switch MZW1 121 050 910</p>	 <p>TE Part # K1120909 Micro Switch MZW1 121 088 918</p>	 <p>TE Part # K1152057 Micro Switch MZW1 122 050</p>




TE Part # K1042014
Micro Switch MZW1 122 088 913



TE Part # K1147998
Micro Switch MZW1 132 050



TE Part # K1152818
Micro Switch MZW1 191 050



TE Part # K1040936
Micro Switch MZW1 741 150 902



TE Part # K1135094
Micro Switch MZW1 792 070 900



TE Part # K1158073
Micro Switch MZW1 793 100 900




TE Part # K1145890
Micro Switch MZW1 891 100



TE Part # K1040869
Micro Switch MZW1 741 150

TE Part # K1148556
Micro Switch MZW1 181 050

Also in the Series | **KISSLING Microswitch**



Snap Action Switches(92)

Customers Also Bought



TE Part #CV19656001
QSZH Heat Shrink Tubing



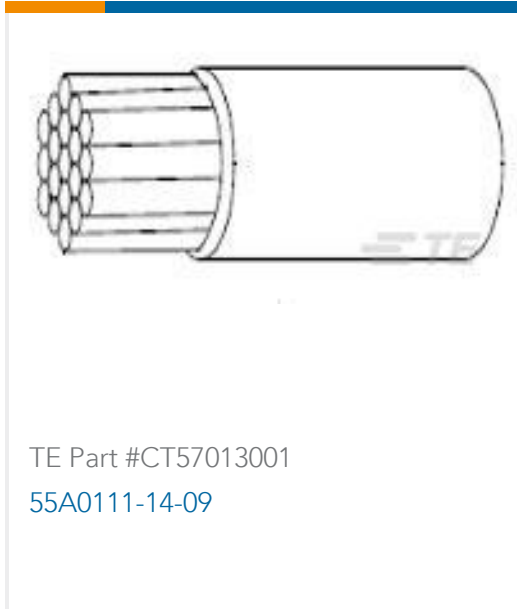
TE Part #1-2333552-3
AMP MCP 6.3/4.8K,TERMINAL,FUSE 0.81



TE Part #2151556-1
OCEAN_2.0_APPLICATOR-S-080F160O-RSM



TE Part #2266690-2
OCEAN_2.0_Applicator-E-079F098O-REA



Documents

Product Drawings

Micro Switch MZW1 123 150

German

CAD Files

3D PDF

3D

Customer View Model

[ENG_CVM_CVM_MZW1_123_150_1.2d_dxf.zip](#)

English

Customer View Model

[ENG_CVM_CVM_MZW1_123_150_1.3d_igs.zip](#)

English

Customer View Model

[ENG_CVM_CVM_MZW1_123_150_1.3d_stp.zip](#)

English

By downloading the CAD file I accept and agree to the [Terms and Conditions](#) of use.

Datasheets & Catalog Pages

KISSLING MICRO SWITCH Series MZW1

English