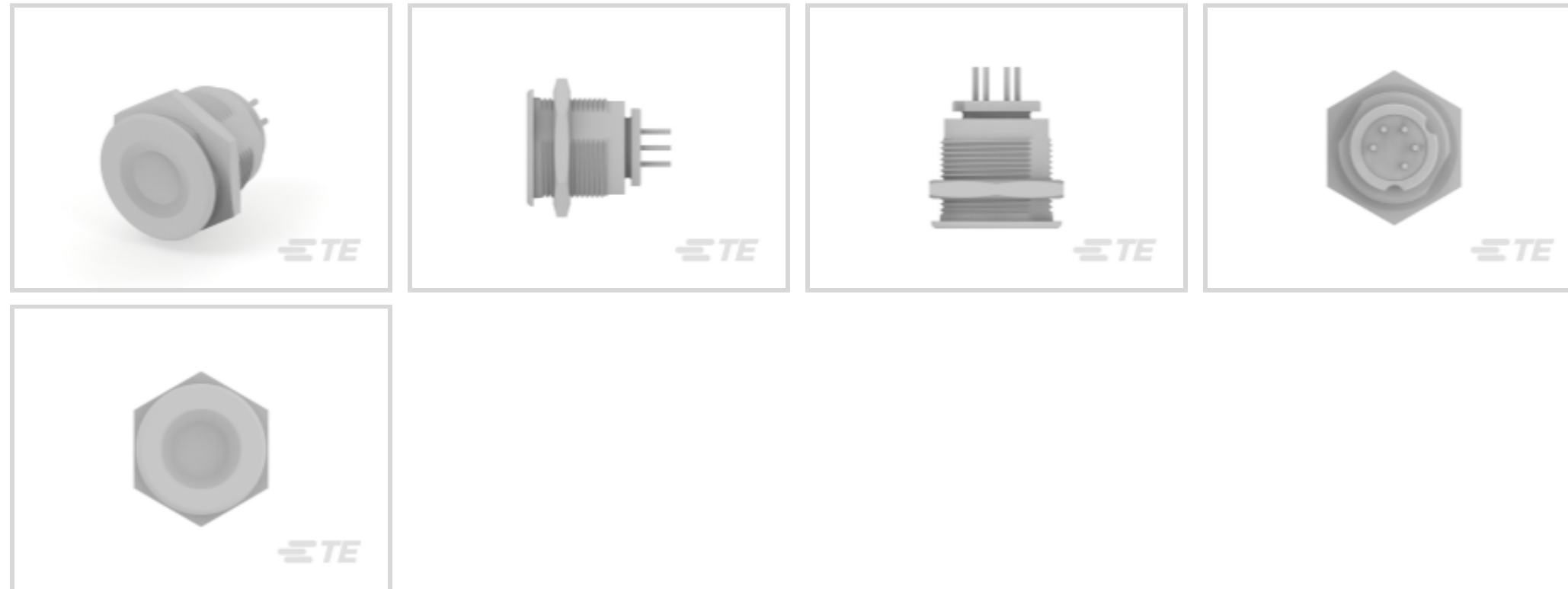




Switches > Push Button Switches > Push Button Switch, Center Thread, 1 Actuator, Flush Profile



Configuration (Pole-Throw): **Single Pole - Double Throw**

Push Button Switch Product Type: **General Purpose Push Button Switch**

Number of Actuators: **Single**

Actuator Profile: **Flush**

Bushing Style: **Threaded**

[All Push Button Switch, Center Thread, 1 Actuator, Flush Profile \(44\)](#)

Features

Product Type Features

Push Button Switch Product Type	General Purpose Push Button Switch
Illuminated	With
Actuator Style	Round

Configuration Features

Configuration (Pole-Throw)	Single Pole - Double Throw
Number of Actuators	Single
Snap Action	Without
Support Bracket	Without
Switch Feedback Type	Tactile
Operating Function	Momentary

Electrical Characteristics

Contact Current Rating	5 A
------------------------	-----



Operating Voltage Range	9 – 32 VDC
-------------------------	------------

Body Features

Actuator Force	3060 – 4589 g[108 – 162.8 oz]
Actuator Profile	Flush
Bushing Style	Threaded
Actuator Color	Red

Contact Features

Switch Contact Plating Material	Silver Alloy
---------------------------------	--------------

Mechanical Attachment

Product Mount Type	Panel
--------------------	-------

Housing Features

Process Sealed	No
----------------	----

Packaging Features

Packaging Method	Bulk
------------------	------

Product Compliance

[For compliance documentation, visit the product page on TE.com>](#)


EU RoHS Directive 2011/65/EU	Not Yet Reviewed
EU ELV Directive 2000/53/EC	Not Yet Reviewed
China RoHS 2 Directive MIIT Order No 32, 2016	Not reviewed for China RoHS compliance
EU REACH Regulation (EC) No. 1907/2006	Current ECHA Candidate List: JUNE 2024 (241) Not Yet Reviewed
Halogen Content	Not Yet Reviewed for halogen content
Solder Process Capability	Not reviewed for solder process capability

Product Compliance Disclaimer

This information is provided based on reasonable inquiry of our suppliers and represents our current actual knowledge based on the information they provided. This information is subject to change. The part numbers that TE has identified as EU RoHS compliant have a maximum concentration of 0.1% by weight in homogenous materials for lead, hexavalent chromium, mercury, PBB, PBDE, DBP, BBP, DEHP, DIBP, and 0.01% for cadmium, or qualify for an exemption to these limits as defined in the Annexes of Directive 2011/65/EU (RoHS2). Finished electrical and electronic equipment products will be CE marked as required by Directive 2011/65/EU. Components may not be CE marked. Additionally, the part numbers that TE has identified as EU ELV compliant have a maximum concentration of 0.1% by weight in homogenous materials for lead, hexavalent chromium, and mercury, and 0.01% for cadmium, or qualify for an exemption to these limits as defined in the Annexes of Directive 2000/53/EC (ELV). Regarding the REACH Regulations, TE's information on SVHC in articles for this part number is still based on the European Chemical Agency (ECHA) 'Guidance on requirements for substances in articles' (Version: 2, April 2011), applying the 0.1% weight on weight concentration threshold at the finished product level. TE is aware of the European Court of Justice ruling of September 10th, 2015 also known as O5A (Once An Article Always An Article) stating that, in case of 'complex object', the threshold for a SVHC must be applied to both the

product as a whole and simultaneously to each of the articles forming part of its composition. TE has evaluated this ruling based on the new ECHA "Guidance on requirements for substances in articles" (June 2017, version 4.0) and will be updating its statements accordingly.


Compatible Parts



TE Part # CAT-AL8-KSEESS
Emergency Stop Switch, 1 Actuator, Flush, Threaded Bushing



TE Part # CAT-AL8-STPBSS
Push Button Switch, Socket, 1 Actuator, Flush Profile



TE Part # CAT-AL8-STPBSC
Push Button Switch, Center Thread, 1 Actuator, Flush Profile



TE Part # K1070300
Emerg. Mainswitch 1000A TYP 24-01-00-904



TE Part # K1138349
Emergency Power Switch Type 24-05-02



TE Part # K1022851
Adapter Typ 26-57-51



TE Part # K1130802
Plunger Switch 44-02-027



TE Part # K1147734
Plunger Switch 44-03-006



TE Part # K1166669
Foot Switch 44-03-008-1



TE Part # K1165897
Foot Switch 44-03-028



TE Part # K1050108
Limit switch G13-01-1536



TE Part # K1122917
Limit switch G13-01-1629




TE Part # K1123113
Limit switch G13-01-1631



TE Part # K1125644
Limit switch G13-01-1643



TE Part # K1133413
Limit switch G13-01-1700



TE Part # K1153104
Safety Cap TS-2 06-63-170

Also in the Series | KISSLING Series TS



Push Button Switches(73)

Customers Also Bought



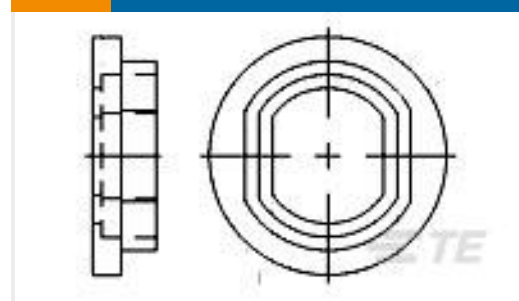
TE Part #K1160479
Push button switch TS-211-GE11



TE Part #2-330312-2
MINIATURE THREADED RECEPTACLES



TE Part #016897-000
101A031-25/86-0



TE Part #329487
MIN THRD,BUSHING



TE Part #ZPF000000000008208
983-6KE 10-06 PN-L



TE Part #YACT24JD18AN000000
JAM NUT RECEPTACLE



TE Part #YDTS20T17-26BNV001
RECP ASSY



TE Part #ZPF000000000015349
DMC-M 44-01 A1064

Documents

Product Drawings

[Push button switch TS-212-RT12](#)

English

CAD Files

[3D PDF](#)

3D

Customer View Model

[ENG_CVM_CVM_TS-212-RT12_1.2d_dxf.zip](#)

English

Customer View Model

[ENG_CVM_CVM_TS-212-RT12_1.3d_igs.zip](#)

English

Customer View Model

[ENG_CVM_CVM_TS-212-RT12_1.3d_stp.zip](#)

English

By downloading the CAD file I accept and agree to the [Terms and Conditions](#) of use.



[Datasheets & Catalog Pages](#)

[KISSLING PUSH BUTTON SWITCH Series TS](#)

English