



KISSLING | KISSLING Series 08

TE Internal #: K1133065

Toggle Switches, Four Pole - Double Throw Configuration (Pole-Throw), M12 x .75, Copper, Silver Tin Oxide, Process Sealed, Lever, KISSLING Series 08

[View on TE.com >](#)

Switches > Toggle Switches



Configuration (Pole-Throw): **Four Pole - Double Throw**

Bushing Thread Size: **M12 x .75**

Contact Base Material: **Copper**

Switch Contact Plating Material: **Silver Tin Oxide**

Process Sealed: **Yes**

Features

Product Type Features

Sealed Device	Yes
Toggle Style	Lever
Switch Type	Toggle

Configuration Features

Configuration (Pole-Throw)	Four Pole - Double Throw
Operating Function	On On

Electrical Characteristics

Contact Current Rating	20 A
Operating Voltage	28 VDC

Body Features

Bushing Thread Size	M12 x .75
Product Orientation	Horizontal
Bushing Style	Threaded



Contact Features

Contact Base Material	Copper
Switch Contact Plating Material	Silver Tin Oxide

Mechanical Attachment

Product Mount Type	Panel
--------------------	-------

Housing Features

Process Sealed	Yes
----------------	-----

Product Compliance

[For compliance documentation, visit the product page on TE.com>](#)

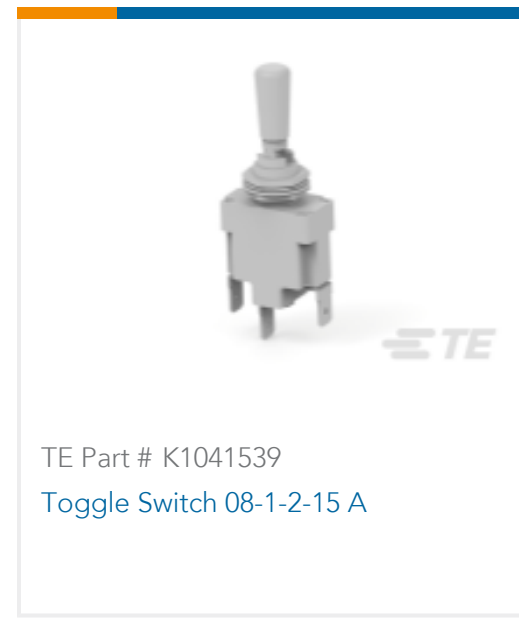
EU RoHS Directive 2011/65/EU	Not Yet Reviewed
EU ELV Directive 2000/53/EC	Not Yet Reviewed
China RoHS 2 Directive MIIT Order No 32, 2016	Not reviewed for China RoHS compliance
EU REACH Regulation (EC) No. 1907/2006	Current ECHA Candidate List: JAN 2024 (240) Not Yet Reviewed
Halogen Content	Not Yet Reviewed for halogen content
Solder Process Capability	Not reviewed for solder process capability

Product Compliance Disclaimer

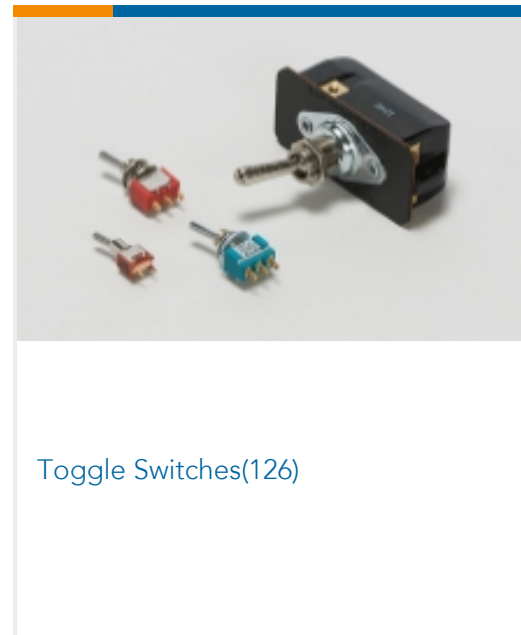
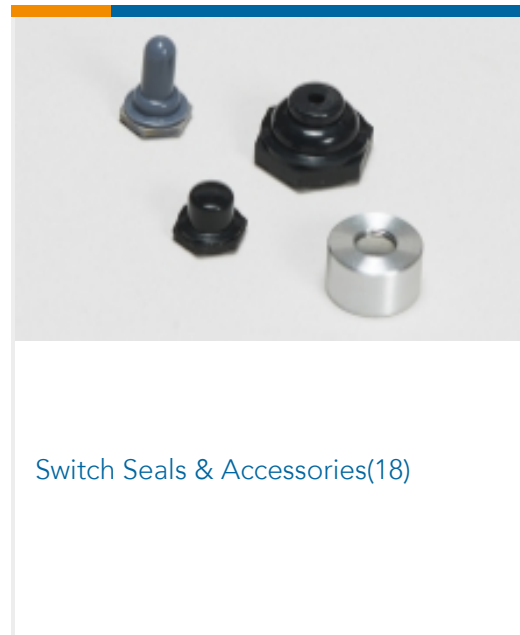
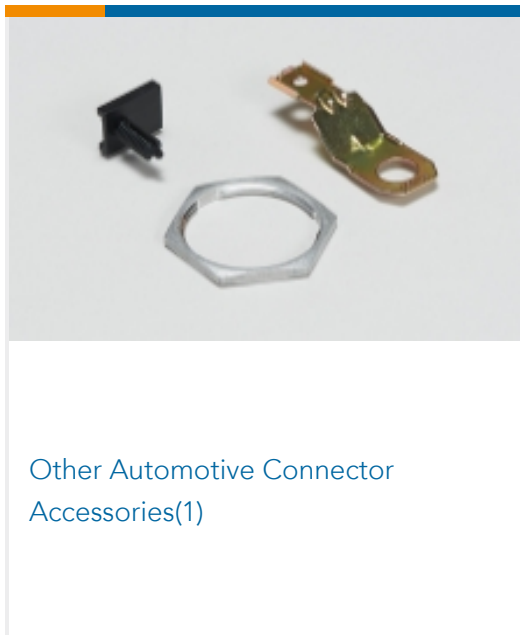
This information is provided based on reasonable inquiry of our suppliers and represents our current actual knowledge based on the information they provided. This information is subject to change. The part numbers that TE has identified as EU RoHS compliant have a maximum concentration of 0.1% by weight in homogenous materials for lead, hexavalent chromium, mercury, PBB, PBDE, DBP, BBP, DEHP, DIBP, and 0.01% for cadmium, or qualify for an exemption to these limits as defined in the Annexes of Directive 2011/65/EU (RoHS2). Finished electrical and electronic equipment products will be CE marked as required by Directive 2011/65/EU. Components may not be CE marked. Additionally, the part numbers that TE has identified as EU ELV compliant have a maximum concentration of 0.1% by weight in homogenous materials for lead, hexavalent chromium, and mercury, and 0.01% for cadmium, or qualify for an exemption to these limits as defined in the Annexes of Directive 2000/53/EC (ELV). Regarding the REACH Regulations, TE's information on SVHC in articles for this part number is still based on the European Chemical Agency (ECHA) 'Guidance on requirements for substances in articles' (Version: 2, April 2011), applying the 0.1% weight on weight concentration threshold at the finished product level. TE is aware of the European Court of Justice ruling of September 10th, 2015 also known as O5A (Once An Article Always An Article) stating that, in case of 'complex object', the threshold for a SVHC must be applied to both the product as a whole and simultaneously to each of the articles forming part of its composition. TE has evaluated this ruling based on the new ECHA "Guidance on requirements for substances in articles" (June 2017, version 4.0) and will be updating its statements accordingly.

Compatible Parts

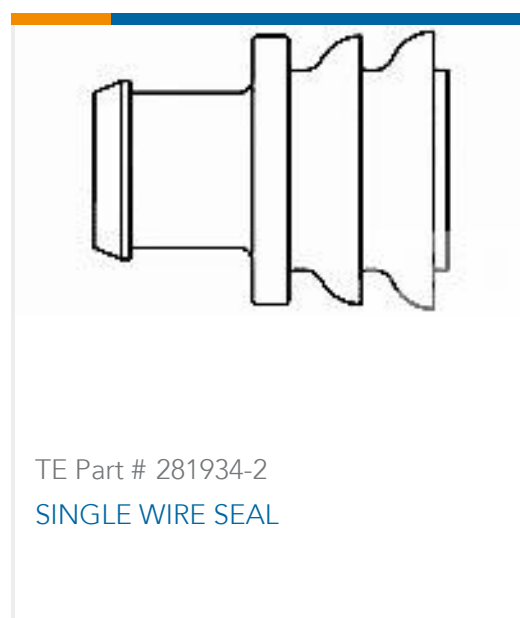




Also in the Series | **KISSLING Series 08**



Customers Also Bought



Documents

Product Drawings

Toggle Switch 08-4-1-13 D 955

German

CAD Files

3D PDF

3D



Customer View Model

[ENG_CVM_CVM_08-4-1-13_D_955_1.2d_dxf.zip](#)

English

Customer View Model

[ENG_CVM_CVM_08-4-1-13_D_955_1.3d_igs.zip](#)

English

Customer View Model

[ENG_CVM_CVM_08-4-1-13_D_955_1.3d_stp.zip](#)

English

By downloading the CAD file I accept and agree to the [Terms and Conditions](#) of use.

Datasheets & Catalog Pages

[KISSLING TOGGLE SWITCH Series 08](#)

English