

TE Internal #: K1128967

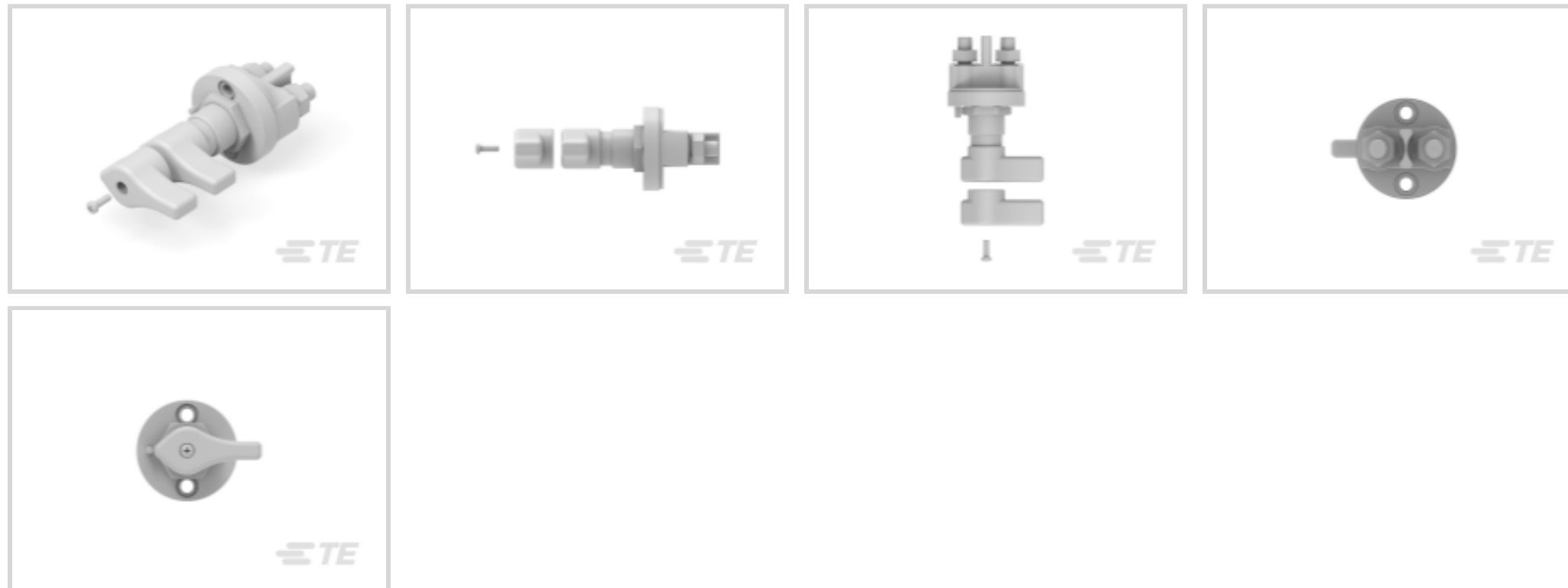
TE Internal Description: Battery Disconnect 35-213-151-S

Battery Disconnect, 200A, 1 Pole

[View on TE.com >](#)



Switches > Battery Disconnect Switches > Battery Disconnect, 200A, 1 Pole



Operating Voltage: **32 VDC**
 Switch Main Contact Current Rating: **200 A**
 Number of Poles: **1**
 Termination Thread Size: **M10**
 Number of Auxiliary Contacts: **0**

[All Battery Disconnect, 200A, 1 Pole \(30\)](#)

Features

Product Type Features

Sealed Device	Yes
---------------	-----

Configuration Features

Number of Poles	1
Number of Auxiliary Contacts	0
Switch Keying Option	Not Removable

Electrical Characteristics

Operating Voltage	32 VDC
Switch Main Contact Current Rating	200 A

Body Features

Operating Handle Color	Black
------------------------	-------

Mechanical Attachment

Termination Thread Size	M10
Switch Mounting Option	Center Mount



Operating Handle Type	Pointer Key
-----------------------	-------------

Usage Conditions

Operating Temperature Range	-40 - 85 °C[-40 - 185 °F]
-----------------------------	---------------------------

Product Compliance

[For compliance documentation, visit the product page on TE.com>](#)

EU RoHS Directive 2011/65/EU	Not Yet Reviewed
EU ELV Directive 2000/53/EC	Not Yet Reviewed
China RoHS 2 Directive MIIT Order No 32, 2016	Not reviewed for China RoHS compliance
EU REACH Regulation (EC) No. 1907/2006	Current ECHA Candidate List: JAN 2024 (240) Not Yet Reviewed
Halogen Content	Not Yet Reviewed for halogen content
Solder Process Capability	Not reviewed for solder process capability

Product Compliance Disclaimer

This information is provided based on reasonable inquiry of our suppliers and represents our current actual knowledge based on the information they provided. This information is subject to change. The part numbers that TE has identified as EU RoHS compliant have a maximum concentration of 0.1% by weight in homogenous materials for lead, hexavalent chromium, mercury, PBB, PBDE, DBP, BBP, DEHP, DIBP, and 0.01% for cadmium, or qualify for an exemption to these limits as defined in the Annexes of Directive 2011/65/EU (RoHS2). Finished electrical and electronic equipment products will be CE marked as required by Directive 2011/65/EU. Components may not be CE marked. Additionally, the part numbers that TE has identified as EU ELV compliant have a maximum concentration of 0.1% by weight in homogenous materials for lead, hexavalent chromium, and mercury, and 0.01% for cadmium, or qualify for an exemption to these limits as defined in the Annexes of Directive 2000/53/EC (ELV). Regarding the REACH Regulations, TE's information on SVHC in articles for this part number is still based on the European Chemical Agency (ECHA) 'Guidance on requirements for substances in articles'(Version: 2, April 2011), applying the 0.1% weight on weight concentration threshold at the finished product level. TE is aware of the European Court of Justice ruling of September 10th, 2015 also known as O5A (Once An Article Always An Article) stating that, in case of 'complex object', the threshold for a SVHC must be applied to both the product as a whole and simultaneously to each of the articles forming part of its composition. TE has evaluated this ruling based on the new ECHA "Guidance on requirements for substances in articles" (June 2017, version 4.0) and will be updating its statements accordingly.

Compatible Parts



TE Part # CAT-AL4-SBD352001
Battery Disconnecter, 200A, 1 Pole



TE Part # CAT-AL4-SBD353001
Battery Disconnecter, 300A, 1 Pole



TE Part # CAT-AL4-SBD355001
Battery Disconnecter, 500A, 1 Pole



TE Part # CAT-AL4-SBD355002
Battery Disconnecter, 500A, 2 Pole




TE Part # CAT-AL4-HVBDS
High Voltage Battery Disconnect Switches



TE Part # CAT-AL4-SBD352002
Battery Disconnecter, 200A, 2 Pole



TE Part # CAT-AL4-SBD354001
Battery Disconnecter, 400A, 1 Pole



TE Part # K1156093
Batteriesignalschalter 35-0010-B30-R



TE Part # K1060469
Battery Disconnecter 35-201



TE Part # K1060598
Battery Disconnecter 35-203



TE Part # K1060772
Battery Disconnecter 35-204



TE Part # K1060773
Battery Disconnecter 35-205



TE Part # K1162508
Battery Disconnecter 35-221-020-S



TE Part # K1158975
Battery Disconnecter 35-225-100-R-901




TE Part # K1137201
Battery Disconnecter 35-414-131-GE-900




TE Part # K1166380
Battery disconnecter 35-524-101-R-A2




TE Part # K1162859
Battery Disconnecter 35-524-130-S



TE Part # K1160175
Battery Disconnecter 35-213-050-R




TE Part # K1160077
Battery Disconnecter 35-213-101-R



TE Part # K1060396

Customers Also Bought



TE Part # 2317659-9
AV25 DPM 3A MOVING RING POWER R&G 12V FL



TE Part # EH2294-000
DWFR-40/13-0-STK



TE Part # K1137217
Battery Disconnecter 35-524-231-R-900



TE Part # 2-1879129-5
RN 0402 1K47 0.1% 10PPM CUT LENGTH



Documents

Product Drawings

Battery Disconnecter 35-213-151-S

English

CAD Files

3D PDF

3D

Customer View Model

[ENG_CVM_CVM_35-213-151-S_1.2d_dxf.zip](#)

English

Customer View Model

[ENG_CVM_CVM_35-213-151-S_1.3d_igs.zip](#)

English

Customer View Model

[ENG_CVM_CVM_35-213-151-S_1.3d_stp.zip](#)

English

By downloading the CAD file I accept and agree to the [Terms and Conditions](#) of use.

Datasheets & Catalog Pages

KISSLING BATTERY DISCONNECTOR Series 35 / 200A

English