



KISSLING

TE Internal #: K1128220

TE Internal Description: Relay 29-211-14B

Power Relay, 200A, Standard, Monostable, DC

[View on TE.com >](#)

Relays & Contactors > Relays > Power Relays > Power Relay, 200A, Standard, Monostable, DC



Coil Magnetic System: **Monostable**

Coil Resistance: **245 Ω**

Coil Special Features: **None**

Coil Voltage Rating: **36 VDC, 54 VDC**

Contact Arrangement: **1 Form X (SPST-NO-DM)**

[All Power Relay, 200A, Standard, Monostable, DC \(22\)](#)

Features

Configuration Features

Coil Special Features	None
Contact Arrangement	1 Form X (SPST-NO-DM)
Contact Number of Poles	1

Electrical Characteristics

Coil Resistance	245 Ω
Coil Voltage Rating	36 VDC, 54 VDC
Contact Current Rating	200 A
Contact Voltage Rating	48 VDC

Contact Features

Contact Material	AgSnO2
------------------	--------

Operation/Application

Actuating System	DC
Coil Magnetic System	Monostable

Other

Contact Current Class	200 A
-----------------------	-------

Product Compliance

[For compliance documentation, visit the product page on TE.com>](#)

EU RoHS Directive 2011/65/EU	Not Yet Reviewed
EU ELV Directive 2000/53/EC	Not Yet Reviewed
China RoHS 2 Directive MIIT Order No 32, 2016	Not reviewed for China RoHS compliance
EU REACH Regulation (EC) No. 1907/2006	Current ECHA Candidate List: JUNE 2024 (241) Not Yet Reviewed
Halogen Content	Not Yet Reviewed for halogen content
Solder Process Capability	Not reviewed for solder process capability

Product Compliance Disclaimer

This information is provided based on reasonable inquiry of our suppliers and represents our current actual knowledge based on the information they provided. This information is subject to change. The part numbers that TE has identified as EU RoHS compliant have a maximum concentration of 0.1% by weight in homogenous materials for lead, hexavalent chromium, mercury, PBB, PBDE, DBP, BBP, DEHP, DIBP, and 0.01% for cadmium, or qualify for an exemption to these limits as defined in the Annexes of Directive 2011/65/EU (RoHS2). Finished electrical and electronic equipment products will be CE marked as required by Directive 2011/65/EU. Components may not be CE marked. Additionally, the part numbers that TE has identified as EU ELV compliant have a maximum concentration of 0.1% by weight in homogenous materials for lead, hexavalent chromium, and mercury, and 0.01% for cadmium, or qualify for an exemption to these limits as defined in the Annexes of Directive 2000/53/EC (ELV). Regarding the REACH Regulations, TE's information on SVHC in articles for this part number is still based on the European Chemical Agency (ECHA) 'Guidance on requirements for substances in articles' (Version: 2, April 2011), applying the 0.1% weight on weight concentration threshold at the finished product level. TE is aware of the European Court of Justice ruling of September 10th, 2015 also known as O5A (Once An Article Always An Article) stating that, in case of 'complex object', the threshold for a SVHC must be applied to both the product as a whole and simultaneously to each of the articles forming part of its composition. TE has evaluated this ruling based on the new ECHA "Guidance on requirements for substances in articles" (June 2017, version 4.0) and will be updating its statements accordingly.

Compatible Parts





TE Part # CAT-AL6-KSPR29300
Power Relay, 300A, Standard,
Monostable, DC



TE Part # K1160224
Relay 30-113-12B



TE Part # K1132422
Relay 30-311-12B



TE Part # K1060826
Relay 30-214-12-917



TE Part # K1000091
Flange Special Typ 26-02-52



TE Part # K1009420
Relay 26-08-07



TE Part # K1165027
Relay 26-08-08 BUND



TE Part # K1009454
Relay 26-08-21



TE Part # K1009464
Angle Connection Typ 26-08-52



TE Part # K1149524
Relay 26-28-28



TE Part # K1022847
Relay 26-55-02



TE Part # K1138171
Relay 26-55-22-909



TE Part # K1021609
Relay 26-55-75



TE Part # K1008802
Relay 26-56-05



TE Part # K1008807
Relay 26-56-07



TE Part # K1127409
Relay 26-56-238

Customers Also Bought



TE Part #206070-8
CABLE CLAMP KIT #17



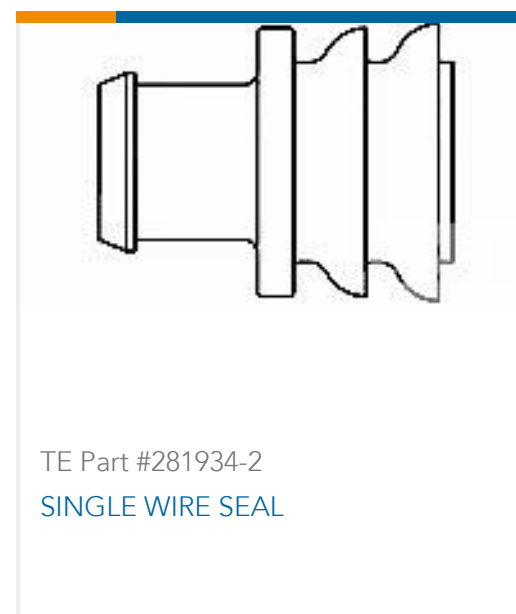
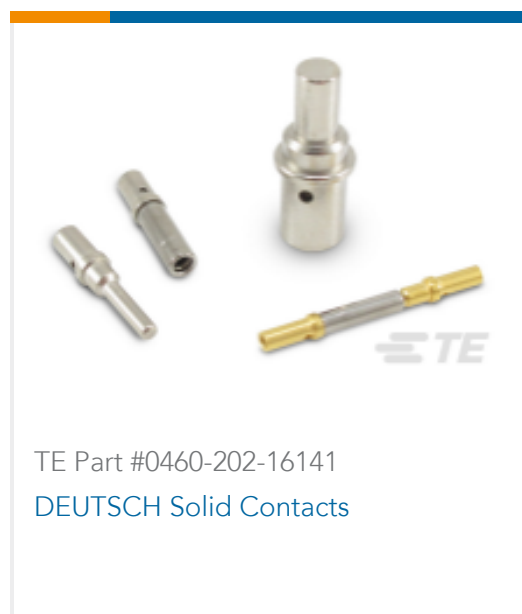
TE Part #DT04-2P
REC, 2P, GRY, N



TE Part #DT06-2S
PLG, 2P, GRY, N



TE Part #W2S
Wedgelocks: DEUTSCH DT



Documents

Product Drawings

Relay 29-211-14B

German

CAD Files

3D PDF

3D

Customer View Model

[ENG_CVM_CVM_29-211-14B_1.2d_dxf.zip](#)

English

Customer View Model

[ENG_CVM_CVM_29-211-14B_1.3d_igs.zip](#)

English

Customer View Model

[ENG_CVM_CVM_29-211-14B_1.3d_stp.zip](#)

English

By downloading the CAD file I accept and agree to the [Terms and Conditions](#) of use.

Datasheets & Catalog Pages

KISSLING SINGLE POLE POWER RELAYS Series 29 / 200A

English