



**KISSLING | KISSLING Series 26**

TE Internal #: K1060837

Power Relays, Monostable, 145 Ω Coil Resistance, Coil Suppression Diode, 18 VDC / 32 VDC Coil Voltage, 1 Form X (SPST-NO-DM), KISSLING Series 26

[View on TE.com >](#)

Relays & Contactors > Relays > Power Relays



Coil Magnetic System: **Monostable**

Coil Resistance: **145 Ω**

Coil Special Features: **Coil Suppression Diode**

Coil Voltage Rating: **18 VDC, 32 VDC**

Contact Arrangement: **1 Form X (SPST-NO-DM)**

**Features**

**Configuration Features**

Coil Special Features	Coil Suppression Diode
Contact Arrangement	1 Form X (SPST-NO-DM)
Contact Number of Poles	1

**Electrical Characteristics**

Coil Resistance	145 Ω
Coil Voltage Rating	18 VDC, 32 VDC
Contact Current Rating	100 A
Contact Voltage Rating	24 VDC

**Contact Features**

Contact Material	AgSnO2
------------------	--------

**Operation/Application**

Actuating System	DC
Coil Magnetic System	Monostable



Other

Contact Current Class	100 A
-----------------------	-------

Product Compliance

[For compliance documentation, visit the product page on TE.com>](#)

EU RoHS Directive 2011/65/EU	Not Yet Reviewed
EU ELV Directive 2000/53/EC	Not Yet Reviewed
China RoHS 2 Directive MIIT Order No 32, 2016	Not reviewed for China RoHS compliance
EU REACH Regulation (EC) No. 1907/2006	Current ECHA Candidate List: JAN 2024 (240) Not Yet Reviewed
Halogen Content	Not Yet Reviewed for halogen content
Solder Process Capability	Not reviewed for solder process capability

Product Compliance Disclaimer

This information is provided based on reasonable inquiry of our suppliers and represents our current actual knowledge based on the information they provided. This information is subject to change. The part numbers that TE has identified as EU RoHS compliant have a maximum concentration of 0.1% by weight in homogenous materials for lead, hexavalent chromium, mercury, PBB, PBDE, DBP, BBP, DEHP, DIBP, and 0.01% for cadmium, or qualify for an exemption to these limits as defined in the Annexes of Directive 2011/65/EU (RoHS2). Finished electrical and electronic equipment products will be CE marked as required by Directive 2011/65/EU. Components may not be CE marked. Additionally, the part numbers that TE has identified as EU ELV compliant have a maximum concentration of 0.1% by weight in homogenous materials for lead, hexavalent chromium, and mercury, and 0.01% for cadmium, or qualify for an exemption to these limits as defined in the Annexes of Directive 2000/53/EC (ELV). Regarding the REACH Regulations, TE's information on SVHC in articles for this part number is still based on the European Chemical Agency (ECHA) 'Guidance on requirements for substances in articles'(Version: 2, April 2011), applying the 0.1% weight on weight concentration threshold at the finished product level. TE is aware of the European Court of Justice ruling of September 10th, 2015 also known as O5A (Once An Article Always An Article) stating that, in case of 'complex object', the threshold for a SVHC must be applied to both the product as a whole and simultaneously to each of the articles forming part of its composition. TE has evaluated this ruling based on the new ECHA "Guidance on requirements for substances in articles" (June 2017, version 4.0) and will be updating its statements accordingly.

Compatible Parts



TE Part # K1013134  
Relay 26-06-01



TE Part # CAT-AL6-KSPR2975  
Power Relay, 75A, Standard, Monostable, DC



TE Part # CAT-AL6-KSPR29120  
Power Relay, 120A, Standard, Monostable, DC



TE Part # CAT-AL6-KSPR29200  
Power Relay, 200A, Standard, Monostable, DC



TE Part # CAT-AL6-KSPR29300  
Power Relay, 300A, Standard, Monostable, DC



TE Part # K1160224  
Relay 30-113-12B



TE Part # K1132422  
Relay 30-311-12B



TE Part # K1060826  
Relay 30-214-12-917



TE Part # K1000091  
Flange Special Typ 26-02-52



TE Part # K1009420  
Relay 26-08-07



TE Part # K1165027  
Relay 26-08-08 BUND



TE Part # K1009454  
Relay 26-08-21



TE Part # K1009464  
Angle Connection Typ 26-08-52



TE Part # K1149524  
Relay 26-28-28



TE Part # K1022847  
Relay 26-55-02



TE Part # K1138171  
Relay 26-55-22-909



TE Part # K1021609  
Relay 26-55-75



TE Part # K1008802  
Relay 26-56-05

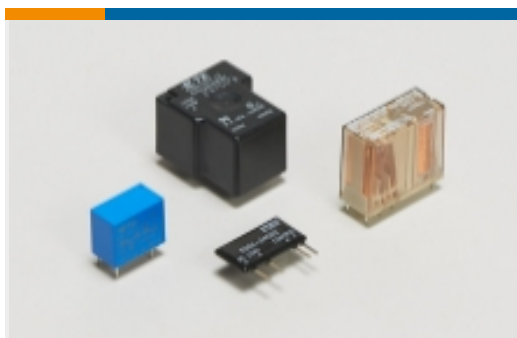


TE Part # K1008807  
Relay 26-56-07



TE Part # K1127409  
Relay 26-56-238

Also in the Series | **KISSLING Series 26**



Power Relays(117)



Switch Seals & Accessories(1)

Customers Also Bought



TE Part # DT04-2P  
REC, 2P, GRY, N



TE Part # W2S  
Wedgelocks: DEUTSCH DT



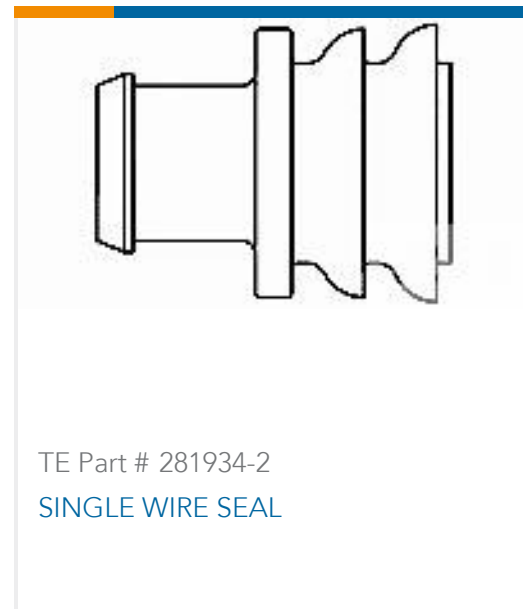
TE Part # 0460-202-16141  
DEUTSCH Solid Contacts



TE Part # 282104-1  
AMP SUPERSEAL 1.5MM,  
CONNECTOR HOUSING



TE Part # DT06-2S  
PLG, 2P, GRY, N



TE Part # 281934-2  
SINGLE WIRE SEAL



TE Part # 114017-ZZ  
SEALING PLUG, SIZE 12/16, WHT

## Documents

### CAD Files

3D PDF

3D

Customer View Model

[ENG\\_CVM\\_CVM\\_26-60-93-908\\_1.2d\\_dxf.zip](#)

English

Customer View Model

[ENG\\_CVM\\_CVM\\_26-60-93-908\\_1.3d\\_igs.zip](#)

English

Customer View Model

[ENG\\_CVM\\_CVM\\_26-60-93-908\\_1.3d\\_stp.zip](#)

English

By downloading the CAD file I accept and agree to the [Terms and Conditions](#) of use.

### Datasheets & Catalog Pages

[KISSLING HIGH POWER RELAY WITH BIDIRECTIONAL CURRENT SENSING ELECTRONIC Series 26.99 / 100A, 200A, 300A, 500A](#)

English

[Solutions for Defense Applications Certified to VG Standards](#)

English