



Relays, Contactors & Switches > Relays > Power Relays > Power Relay, 75A, Standard, Monostable, DC



Power Relay Type: **Standard**

Coil Magnetic System: **Monostable, DC**

Coil Power Rating DC: **8 mW**

Coil Resistance: **19  $\Omega$**

Coil Special Features: **Coil Suppression Diode**

[All Power Relay, 75A, Standard, Monostable, DC \(20\)](#)

## Features

### Product Type Features

|                  |          |
|------------------|----------|
| Power Relay Type | Standard |
|------------------|----------|

### Electrical Characteristics

|                        |                        |
|------------------------|------------------------|
| Coil Magnetic System   | Monostable, DC         |
| Coil Power Rating DC   | 8 mW                   |
| Coil Resistance        | 19 $\Omega$            |
| Coil Special Features  | Coil Suppression Diode |
| Coil Voltage Rating    | 9 VDC, 16 VDC          |
| Contact Voltage Rating | 12 VDC                 |

### Contact Features

|                              |                       |
|------------------------------|-----------------------|
| Contact Arrangement          | 1 Form X (SPST-NO-DM) |
| Contact Current Class        | 75 A                  |
| Contact Current Rating (Max) | 75 A                  |
| Contact Material             | AgSnO2                |
| Contact Number of Poles      | 1                     |
| Relay Terminal Type          | Screw Terminals       |

### Mechanical Attachment



|                     |        |
|---------------------|--------|
| Relay Mounting Type | Socket |
|---------------------|--------|

### Product Compliance

[For compliance documentation, visit the product page on TE.com>](#)

|   |   |
|---|---|
| EU RoHS Directive 2011/65/EU                  | Not Yet Reviewed  |
| EU ELV Directive 2000/53/EC                   | Not Yet Reviewed  |
| China RoHS 2 Directive MIIT Order No 32, 2016 | Not reviewed for China RoHS compliance                          |
| EU REACH Regulation (EC) No. 1907/2006        | Current ECHA Candidate List: JAN 2023 (233)<br>Not Yet Reviewed |
| Halogen Content                               | Not Yet Reviewed for halogen content                            |
| Solder Process Capability                     | Not reviewed for solder process capability                      |

#### Product Compliance Disclaimer

This information is provided based on reasonable inquiry of our suppliers and represents our current actual knowledge based on the information they provided. This information is subject to change. The part numbers that TE has identified as EU RoHS compliant have a maximum concentration of 0.1% by weight in homogenous materials for lead, hexavalent chromium, mercury, PBB, PBDE, DBP, BBP, DEHP, DIBP, and 0.01% for cadmium, or qualify for an exemption to these limits as defined in the Annexes of Directive 2011/65/EU (RoHS2). Finished electrical and electronic equipment products will be CE marked as required by Directive 2011/65/EU. Components may not be CE marked. Additionally, the part numbers that TE has identified as EU ELV compliant have a maximum concentration of 0.1% by weight in homogenous materials for lead, hexavalent chromium, and mercury, and 0.01% for cadmium, or qualify for an exemption to these limits as defined in the Annexes of Directive 2000/53/EC (ELV). Regarding the REACH Regulations, TE's information on SVHC in articles for this part number is still based on the European Chemical Agency (ECHA) 'Guidance on requirements for substances in articles' (Version: 2, April 2011), applying the 0.1% weight on weight concentration threshold at the finished product level. TE is aware of the European Court of Justice ruling of September 10th, 2015 also known as O5A (Once An Article Always An Article) stating that, in case of 'complex object', the threshold for a SVHC must be applied to both the product as a whole and simultaneously to each of the articles forming part of its composition. TE has evaluated this ruling based on the new ECHA "Guidance on requirements for substances in articles" (June 2017, version 4.0) and will be updating its statements accordingly.

### Compatible Parts



### Also in the Series | [KISSLING Series 29](#)



Power Relays(58)

## Customers Also Bought



TE Part #2-1670730-1  
3POS,TAB 1.5X0.63,TAB HSG,ASSY



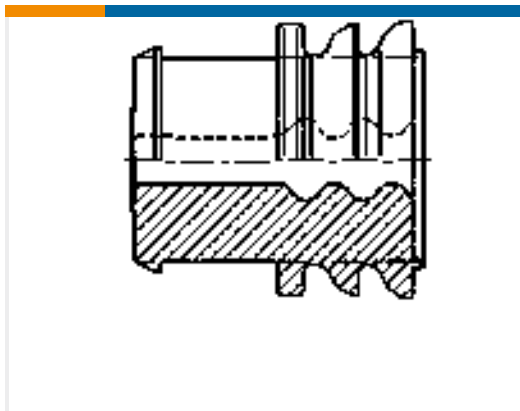
TE Part #1-1534113-1  
2POS MQS REC



TE Part #K1060283  
Relay 29-013-12



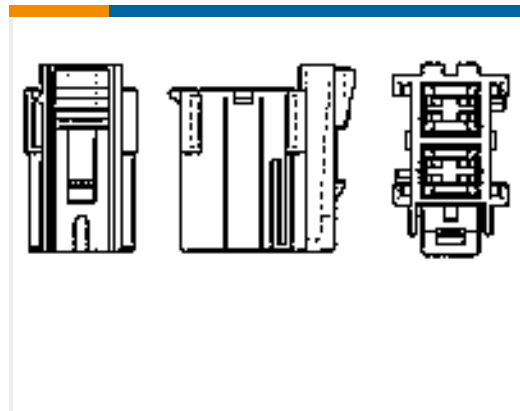
TE Part #4-1625885-4  
1W SM M/OX 5% 220R



TE Part #100132-1  
CAVITY PLUG



TE Part #DT06-3S-CE02  
PLG, 3P, BLK, E



TE Part #965665-1  
STD-POW-TIM GEH 2P



TE Part #K1152994  
Emergency Stop Switch ES-2012-T111



TE Part #DTV02-18PA  
REC, 18P, GRY, N, FLANGE, A



TE Part #K1149987  
Micro Switch MZD1 321 056 908

## Documents

### Product Drawings

[Relay 29-013-11](#)

English

[Relay 29-013-11](#)

German

### CAD Files

[3D PDF](#)

[3D](#)



### Customer View Model

[ENG\\_CVM\\_CVM\\_29-013-11\\_A.2d\\_dxf.zip](#)

English

### Customer View Model

[ENG\\_CVM\\_CVM\\_29-013-11\\_A.3d\\_igs.zip](#)

English

### Customer View Model

[ENG\\_CVM\\_CVM\\_29-013-11\\_A.3d\\_stp.zip](#)

English

By downloading the CAD file I accept and agree to the [Terms and Conditions](#) of use.

### Datasheets & Catalog Pages

[KISSLING SINGLE POLE POWER RELAYS Series 29 / 75A](#)

English