



Switches > Toggle Switches



Operating Voltage: **28 VDC**

Switch Type: **Toggle**

Features

Product Type Features

Switch Type	Toggle
-------------	--------

Electrical Characteristics

Operating Voltage	28 VDC
-------------------	--------

Product Compliance

[For compliance documentation, visit the product page on TE.com>](#)

EU RoHS Directive 2011/65/EU	Compliant
EU ELV Directive 2000/53/EC	Compliant
China RoHS 2 Directive MIIT Order No 32, 2016	No Restricted Materials Above Threshold
EU REACH Regulation (EC) No. 1907/2006	Current ECHA Candidate List: JAN 2024 (240) Candidate List Declared Against: JAN 2024 (240) Does not contain REACH SVHC
Halogen Content	Low Halogen - Br, Cl, F, I < 900 ppm per homogenous material. Also BFR/CFR/PVC Free
Solder Process Capability	Not reviewed for solder process capability

Product Compliance Disclaimer



This information is provided based on reasonable inquiry of our suppliers and represents our current actual knowledge based on the information they provided. This information is subject to change. The part numbers that TE has identified as EU RoHS compliant have a maximum concentration of 0.1% by weight in homogenous materials for lead, hexavalent chromium, mercury, PBB, PBDE, DBP, BBP, DEHP, DIBP, and 0.01% for cadmium, or qualify for an exemption to these limits as defined in the Annexes of Directive 2011/65/EU (RoHS2). Finished electrical and electronic equipment products will be CE marked as required by Directive 2011/65/EU. Components may not be CE marked. Additionally, the part numbers that TE has identified as EU ELV compliant have a maximum concentration of 0.1% by weight in homogenous materials for lead, hexavalent chromium, and mercury, and 0.01% for cadmium, or qualify for an exemption to these limits as defined in the Annexes of Directive 2000/53/EC (ELV). Regarding the REACH Regulations, TE's information on SVHC in articles for this part number is still based on the European Chemical Agency (ECHA) 'Guidance on requirements for substances in articles' (Version: 2, April 2011), applying the 0.1% weight on weight concentration threshold at the finished product level. TE is aware of the European Court of Justice ruling of September 10th, 2015 also known as O5A (Once An Article Always An Article) stating that, in case of 'complex object', the threshold for a SVHC must be applied to both the product as a whole and simultaneously to each of the articles forming part of its composition. TE has evaluated this ruling based on the new ECHA "Guidance on requirements for substances in articles" (June 2017, version 4.0) and will be updating its statements accordingly.

Compatible Parts



TE Part # CAT-AL8-KSTS071
Toggle Switch 1-Pole, Sealed, Lever, Toggle



TE Part # CAT-AL8-KSTS072
Toggle Switch 2-Pole, Sealed, Lever, Toggle



TE Part # CAT-AL8-KSTS081
Toggle Switch 1-Pole, Sealed, Lever, Toggle, Plastic Lever



TE Part # CAT-AL8-KSTS082
Toggle Switch 2-Pole, Sealed, Lever, Toggle, Plastic Lever



TE Part # K1023938
Toggle Switch 09-1-1-12



TE Part # K2001801
Switch guard 08-0-0-05

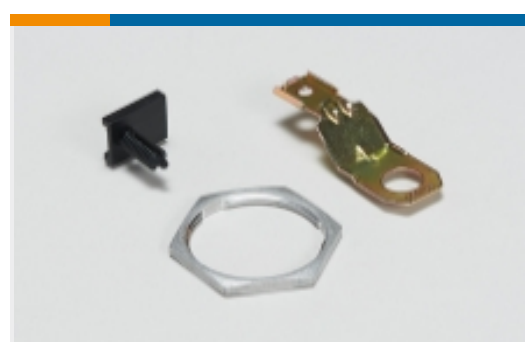


TE Part # K1007168
Steckhuelsengeh. 08-2-2-05 08-80-125



TE Part # K1007167
Switch guard 08-0-0-01

Also in the Series | KISSLING Series 08



Other Automotive Connector Accessories(1)



Switch Seals & Accessories(18)



Toggle Switches(126)

Customers Also Bought



TE Part # 206429-1
CPC PLUG ASSY, 11-4, REV SEX



TE Part # 206070-8
CABLE CLAMP KIT #17



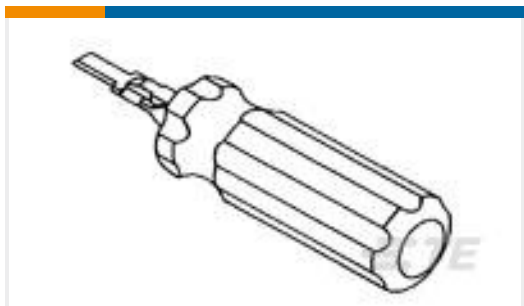
TE Part # DT04-2P
REC, 2P, GRY, N



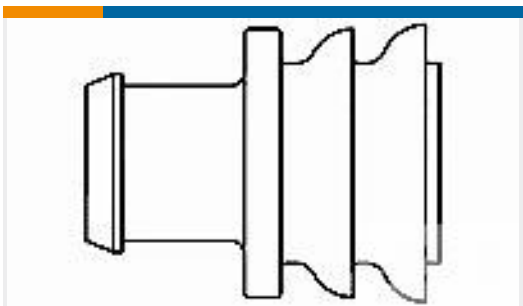
TE Part # W3P
Wedgelocks: DEUTSCH DT



TE Part # 282087-1
AMP SUPERSEAL 1.5MM,
CONNECTOR HOUSING



TE Part # 305183
EXTRACT TOOL TYPE 2 20-16



TE Part # 281934-4
SINGLE WIRE SEAL

Documents

Product Drawings

[Switch guard 08-0-0-34](#)

English

[Switch guard 08-0-0-34](#)

German

CAD Files

[3D PDF](#)

3D

Customer View Model

[ENG_CVM_CVM_08-0-0-34_1.2d_dxf.zip](#)

English

Customer View Model

[ENG_CVM_CVM_08-0-0-34_1.3d_igs.zip](#)

English

Customer View Model

[ENG_CVM_CVM_08-0-0-34_1.3d_stp.zip](#)

English

By downloading the CAD file I accept and agree to the [Terms and Conditions](#) of use.

Datasheets & Catalog Pages

[KISSLING TOGGLE SWITCH Series 08](#)

English