



Switches > Push Button Switches



Push Button Switch Product Type: **Emergency Stop**

Number of Actuators: **Single**

Actuator Profile: **Extended**

Bushing Style: **Plain**

Illuminated: **Without**

Features

Product Type Features

Switch Connection Type	Cable Shoes
Push Button Switch Product Type	Emergency Stop
Illuminated	Without
Actuator Style	Round

Configuration Features

Number of Actuators	Single
Snap Action	With
Support Bracket	Without
Switch Feedback Type	Tactile
Operating Function	NC

Electrical Characteristics

Operating Voltage Range	24 VDC
-------------------------	--------

Body Features

Actuator Profile	Extended
Bushing Style	Plain

Actuator Color	Red
----------------	-----

Contact Features

Contact Current Rating	500 A
Switch Contact Plating Material	Silver Alloy

Housing Features

Process Sealed	No
----------------	----

Product Compliance

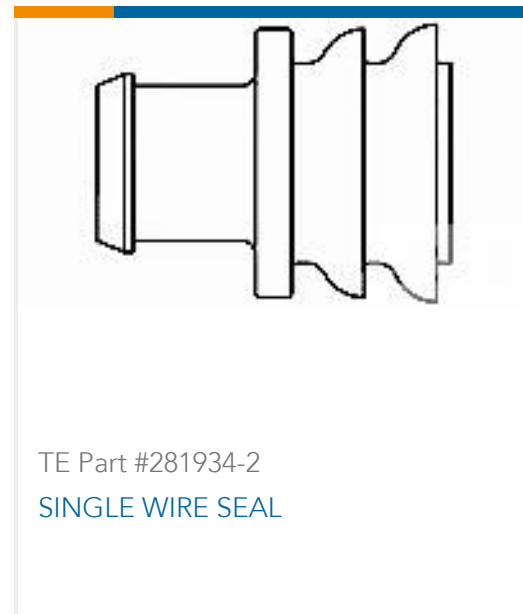
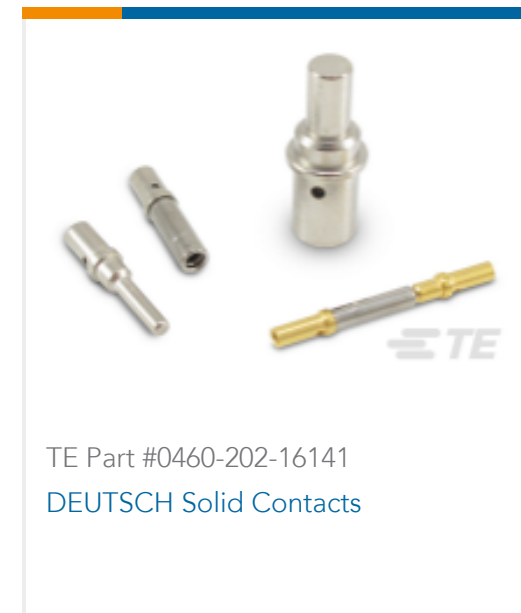
[For compliance documentation, visit the product page on TE.com>](#)

EU RoHS Directive 2011/65/EU	Not Yet Reviewed
EU ELV Directive 2000/53/EC	Not Yet Reviewed
China RoHS 2 Directive MIIT Order No 32, 2016	Not reviewed for China RoHS compliance
EU REACH Regulation (EC) No. 1907/2006	Current ECHA Candidate List: JAN 2024 (240) Not Yet Reviewed
Halogen Content	Not Yet Reviewed for halogen content
Solder Process Capability	Not reviewed for solder process capability

Product Compliance Disclaimer

This information is provided based on reasonable inquiry of our suppliers and represents our current actual knowledge based on the information they provided. This information is subject to change. The part numbers that TE has identified as EU RoHS compliant have a maximum concentration of 0.1% by weight in homogenous materials for lead, hexavalent chromium, mercury, PBB, PBDE, DBP, BBP, DEHP, DIBP, and 0.01% for cadmium, or qualify for an exemption to these limits as defined in the Annexes of Directive 2011/65/EU (RoHS2). Finished electrical and electronic equipment products will be CE marked as required by Directive 2011/65/EU. Components may not be CE marked. Additionally, the part numbers that TE has identified as EU ELV compliant have a maximum concentration of 0.1% by weight in homogenous materials for lead, hexavalent chromium, and mercury, and 0.01% for cadmium, or qualify for an exemption to these limits as defined in the Annexes of Directive 2000/53/EC (ELV). Regarding the REACH Regulations, TE's information on SVHC in articles for this part number is still based on the European Chemical Agency (ECHA) 'Guidance on requirements for substances in articles' (Version: 2, April 2011), applying the 0.1% weight on weight concentration threshold at the finished product level. TE is aware of the European Court of Justice ruling of September 10th, 2015 also known as O5A (Once An Article Always An Article) stating that, in case of 'complex object', the threshold for a SVHC must be applied to both the product as a whole and simultaneously to each of the articles forming part of its composition. TE has evaluated this ruling based on the new ECHA "Guidance on requirements for substances in articles" (June 2017, version 4.0) and will be updating its statements accordingly.

Customers Also Bought



Documents

Product Drawings

Emerg. Mainswitch 1000A TYP 24-01-00-901

English

CAD Files

3D PDF

3D

Customer View Model

[ENG_CVM_CVM_24-01-00-901_1.2d_dxf.zip](#)

English

Customer View Model

[ENG_CVM_CVM_24-01-00-901_1.3d_igs.zip](#)

English

Customer View Model

[ENG_CVM_CVM_24-01-00-901_1.3d_stp.zip](#)

English

By downloading the CAD file I accept and agree to the [Terms and Conditions](#) of use.

Datasheets & Catalog Pages

[KISSLING SAFETY SWITCH Series 24](#)

English