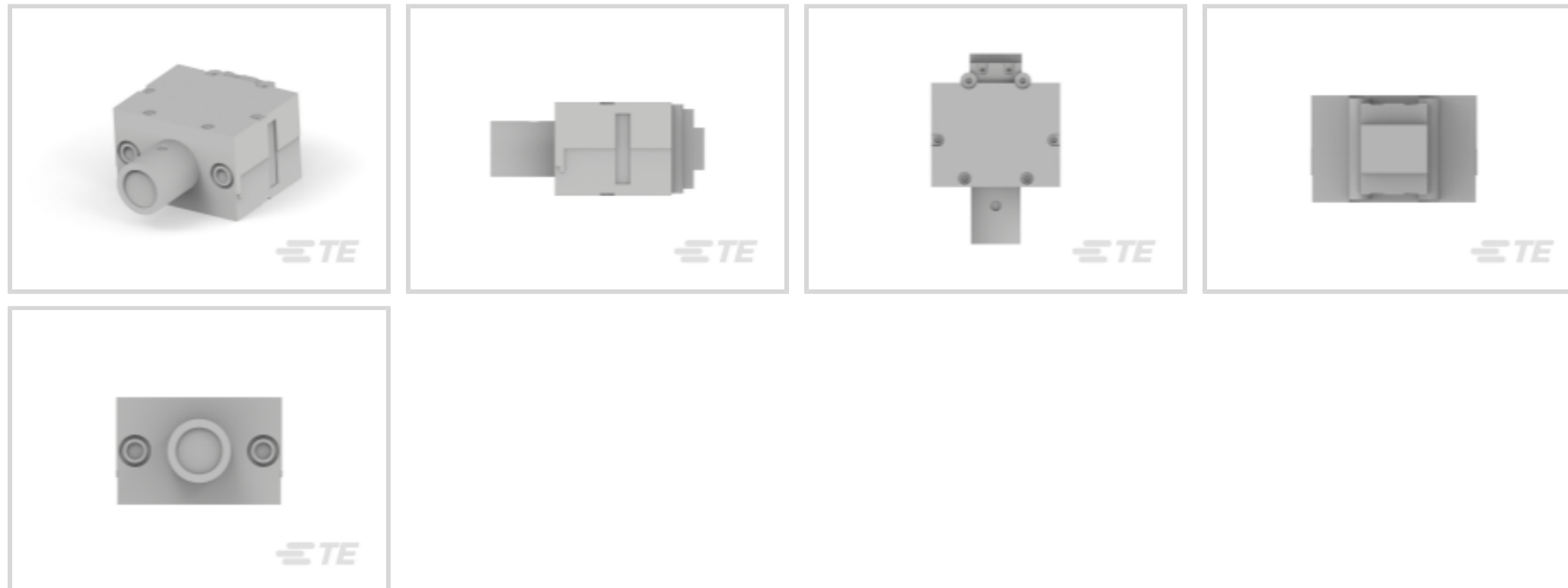




Switches > Push Button Switches



Push Button Switch Product Type: **Emergency Stop**

Number of Actuators: **Single**

Actuator Profile: **Extended**

Bushing Style: **Threaded**

Illuminated: **Without**

### Features

#### Product Type Features

|                                 |                |
|---------------------------------|----------------|
| Push Button Switch Product Type | Emergency Stop |
| Illuminated                     | Without        |
| Actuator Style                  | Round          |

#### Configuration Features

|                      |         |
|----------------------|---------|
| Number of Actuators  | Single  |
| Snap Action          | With    |
| Support Bracket      | Without |
| Switch Feedback Type | Tactile |
| Operating Function   | NC      |

#### Electrical Characteristics

|                         |             |
|-------------------------|-------------|
| Operating Voltage Range | 12 – 80 VDC |
|-------------------------|-------------|

#### Body Features

|                  |          |
|------------------|----------|
| Actuator Profile | Extended |
| Bushing Style    | Threaded |
| Actuator Color   | Orange   |

### Contact Features

|                                 |              |
|---------------------------------|--------------|
| Contact Current Rating          | 500 A        |
| Switch Contact Plating Material | Silver Alloy |

### Housing Features

|                |    |
|----------------|----|
| Process Sealed | No |
|----------------|----|

### Product Compliance

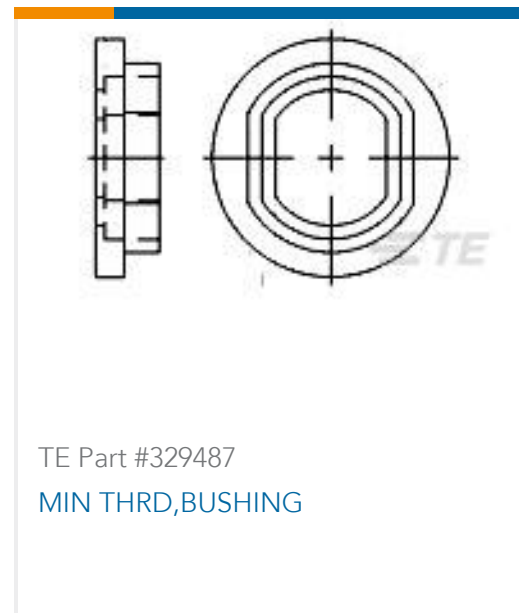
[For compliance documentation, visit the product page on TE.com>](#)

|   |   |
|---|---|
| EU RoHS Directive 2011/65/EU                  | Not Yet Reviewed  |
| EU ELV Directive 2000/53/EC                   | Not Yet Reviewed  |
| China RoHS 2 Directive MIIT Order No 32, 2016 | Not reviewed for China RoHS compliance                          |
| EU REACH Regulation (EC) No. 1907/2006        | Current ECHA Candidate List: JAN 2024 (240)<br>Not Yet Reviewed |
| Halogen Content                               | Not Yet Reviewed for halogen content                            |
| Solder Process Capability                     | Not reviewed for solder process capability                      |

#### Product Compliance Disclaimer

This information is provided based on reasonable inquiry of our suppliers and represents our current actual knowledge based on the information they provided. This information is subject to change. The part numbers that TE has identified as EU RoHS compliant have a maximum concentration of 0.1% by weight in homogenous materials for lead, hexavalent chromium, mercury, PBB, PBDE, DBP, BBP, DEHP, DIBP, and 0.01% for cadmium, or qualify for an exemption to these limits as defined in the Annexes of Directive 2011/65/EU (RoHS2). Finished electrical and electronic equipment products will be CE marked as required by Directive 2011/65/EU. Components may not be CE marked. Additionally, the part numbers that TE has identified as EU ELV compliant have a maximum concentration of 0.1% by weight in homogenous materials for lead, hexavalent chromium, and mercury, and 0.01% for cadmium, or qualify for an exemption to these limits as defined in the Annexes of Directive 2000/53/EC (ELV). Regarding the REACH Regulations, TE's information on SVHC in articles for this part number is still based on the European Chemical Agency (ECHA) 'Guidance on requirements for substances in articles' (Version: 2, April 2011), applying the 0.1% weight on weight concentration threshold at the finished product level. TE is aware of the European Court of Justice ruling of September 10th, 2015 also known as O5A (Once An Article Always An Article) stating that, in case of 'complex object', the threshold for a SVHC must be applied to both the product as a whole and simultaneously to each of the articles forming part of its composition. TE has evaluated this ruling based on the new ECHA "Guidance on requirements for substances in articles" (June 2017, version 4.0) and will be updating its statements accordingly.

### Customers Also Bought



## Documents

### Product Drawings

Safety switch 24-05-24

English

Safety switch 24-05-24

German

### CAD Files

3D PDF

3D

Customer View Model

[ENG\\_CVM\\_CVM\\_24-05-24\\_1.2d\\_dxf.zip](#)

English

Customer View Model

[ENG\\_CVM\\_CVM\\_24-05-24\\_1.3d\\_igs.zip](#)

English

Customer View Model

[ENG\\_CVM\\_CVM\\_24-05-24\\_1.3d\\_stp.zip](#)

English

By downloading the CAD file I accept and agree to the [Terms and Conditions](#) of use.

### Datasheets & Catalog Pages

[KISSLING SAFETY SWITCH Series 24](#)

English