



Relays & Contactors > Relays > Power Relays



Relay Type: **General Purpose Power Relay**

Coil Magnetic System: **Monostable**

Coil Power Rating DC: **6000 mW**

Coil Resistance: **26 Ω**

Coil Special Features: **None**

Features

Product Type Features

Relay Type	General Purpose Power Relay
------------	-----------------------------

Configuration Features

Coil Special Features	None
Contact Arrangement	1 Form X (SPST-NO-DM)
Contact Number of Poles	1

Electrical Characteristics

Coil Power Rating DC	6000 mW
Coil Resistance	26 Ω
Coil Voltage Rating	9 VDC, 16 VDC
Contact Current Rating	50 A

Contact Features

Contact Material	AgSnO2
------------------	--------

Termination Features

--	--



Relay Connection Type	Terminals
Terminal Configuration	Screw Terminals

Mechanical Attachment

Product Mounting Feature Type	Flange with Mounting Holes
Product Mount Type	Panel

Dimensions

Product Width	38 mm[1.49 in]
Product Length	68 mm[2.67 in]
Product Height	61.5 mm[2.42 in]

Operation/Application

Actuating System	DC
Coil Magnetic System	Monostable

Packaging Features

Packaging Method	Package
------------------	---------

Other

Contact Current Class	50 A
-----------------------	------

Product Compliance

[For compliance documentation, visit the product page on TE.com>](#)

EU RoHS Directive 2011/65/EU	Not Yet Reviewed
EU ELV Directive 2000/53/EC	Not Yet Reviewed
China RoHS 2 Directive MIIT Order No 32, 2016	Not reviewed for China RoHS compliance
EU REACH Regulation (EC) No. 1907/2006	Current ECHA Candidate List: JUNE 2024 (241) Not Yet Reviewed
Halogen Content	Not Yet Reviewed for halogen content
Solder Process Capability	Not reviewed for solder process capability

Product Compliance Disclaimer

This information is provided based on reasonable inquiry of our suppliers and represents our current actual knowledge based on the information they provided. This information is subject to change. The part numbers that TE has identified as EU RoHS compliant have a maximum concentration of 0.1% by weight in homogenous materials for lead, hexavalent chromium, mercury, PBB, PBDE, DBP, BBP, DEHP, DIBP, and 0.01% for cadmium, or qualify for an exemption to these limits as defined in the Annexes of Directive 2011/65/EU (RoHS2). Finished electrical and electronic equipment products will be CE marked as required by Directive 2011/65/EU. Components may not be CE marked. Additionally, the part numbers that TE has identified as EU ELV compliant have a maximum concentration of 0.1% by weight in homogenous materials for lead, hexavalent chromium, and mercury, and 0.01% for cadmium, or qualify for an exemption to these limits as defined in the Annexes of Directive 2000/53/EC (ELV). Regarding the REACH Regulations, TE's information on SVHC in

articles for this part number is still based on the European Chemical Agency (ECHA) 'Guidance on requirements for substances in articles'(Version: 2, April 2011), applying the 0.1% weight on weight concentration threshold at the finished product level. TE is aware of the European Court of Justice ruling of September 10th, 2015 also known as O5A (Once An Article Always An Article) stating that, in case of 'complex object', the threshold for a SVHC must be applied to both the product as a whole and simultaneously to each of the articles forming part of its composition. TE has evaluated this ruling based on the new ECHA "Guidance on requirements for substances in articles" (June 2017, version 4.0) and will be updating its statements accordingly.

Compatible Parts



TE Part # CAT-AL6-KSPR29300
Power Relay, 300A, Standard, Monostable, DC



TE Part # K1014846
Relay 26-57-01



TE Part # K1008006
Relay 26-71-01



TE Part # K1013960
Relay 26-72-03



TE Part # CAT-AL6-KSPR2975
Power Relay, 75A, Standard, Monostable, DC



TE Part # CAT-AL6-KSPR29120
Power Relay, 120A, Standard, Monostable, DC



TE Part # CAT-AL6-KSPR29200
Power Relay, 200A, Standard, Monostable, DC



TE Part # K1013137
Relay 26-05-51



TE Part # K1013636
Relay 26-05-52



TE Part # K1130021
Relay 26-05-71



TE Part # K1013507
Connection kit Typ 26-06-56



TE Part # K1009421
Relay 26-08-08



TE Part # K1009423
Relay 26-08-09



TE Part # K1060540
Relay 26-55-010



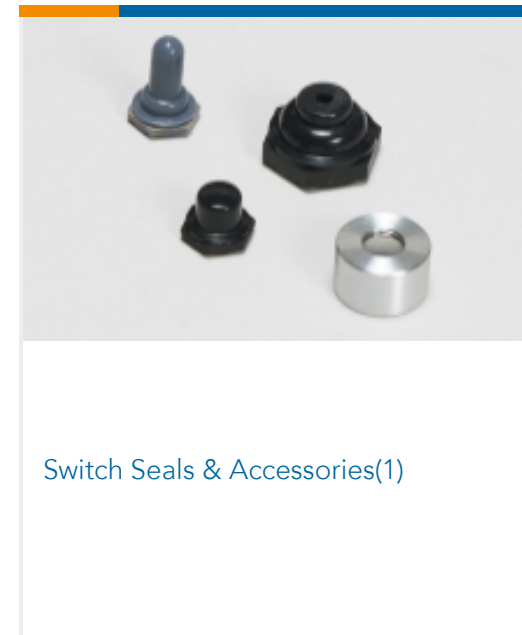
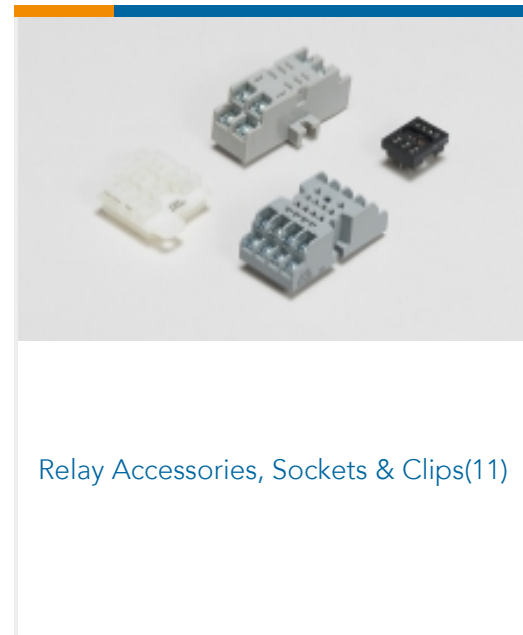
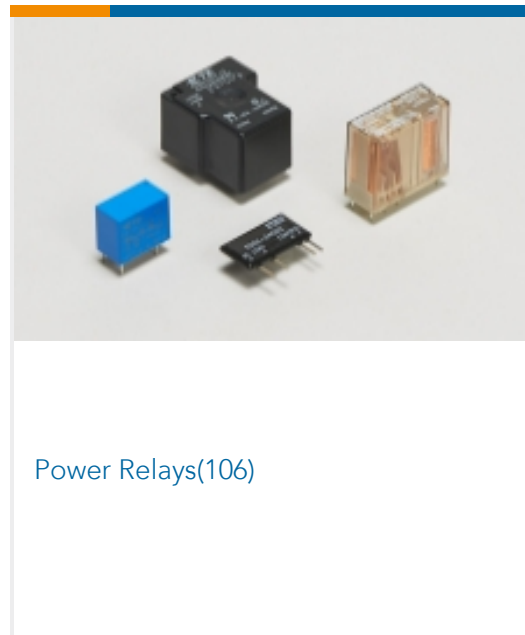
TE Part # K1060542
Relay 26-55-710



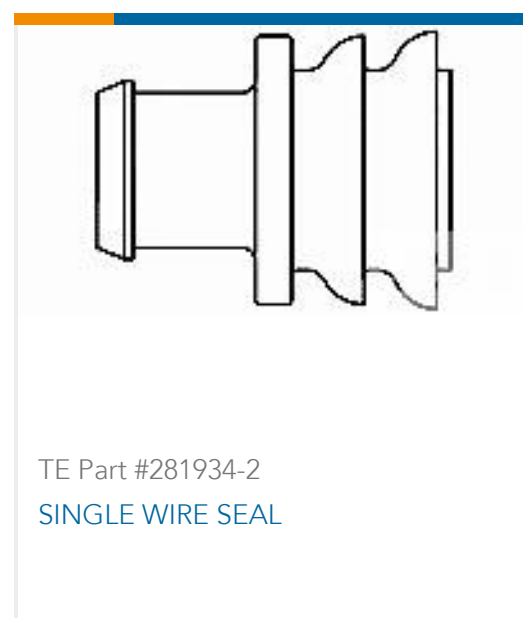
TE Part # K1123882
Relay 26-55-72-906



Also in the Series | **KISSLING Series 26**



Customers Also Bought



Documents

Product Drawings

Relay 26-71-22

English

Relay 26-71-22

German

CAD Files



3D PDF

3D

Customer View Model

[ENG_CVM_CVM_26-71-22_1.2d_dxf.zip](#)

English

Customer View Model

[ENG_CVM_CVM_26-71-22_1.3d_igs.zip](#)

English

Customer View Model

[ENG_CVM_CVM_26-71-22_1.3d_stp.zip](#)

English

By downloading the CAD file I accept and agree to the [Terms and Conditions](#) of use.

Datasheets & Catalog Pages

[KISSLING HIGH PERFORMANCE RELAYS Series 26 / 50A](#)

English

[Solutions for Defense Applications Certified to VG Standards](#)

English