

147873-1 ✓ ACTIVE

Alcoswitch

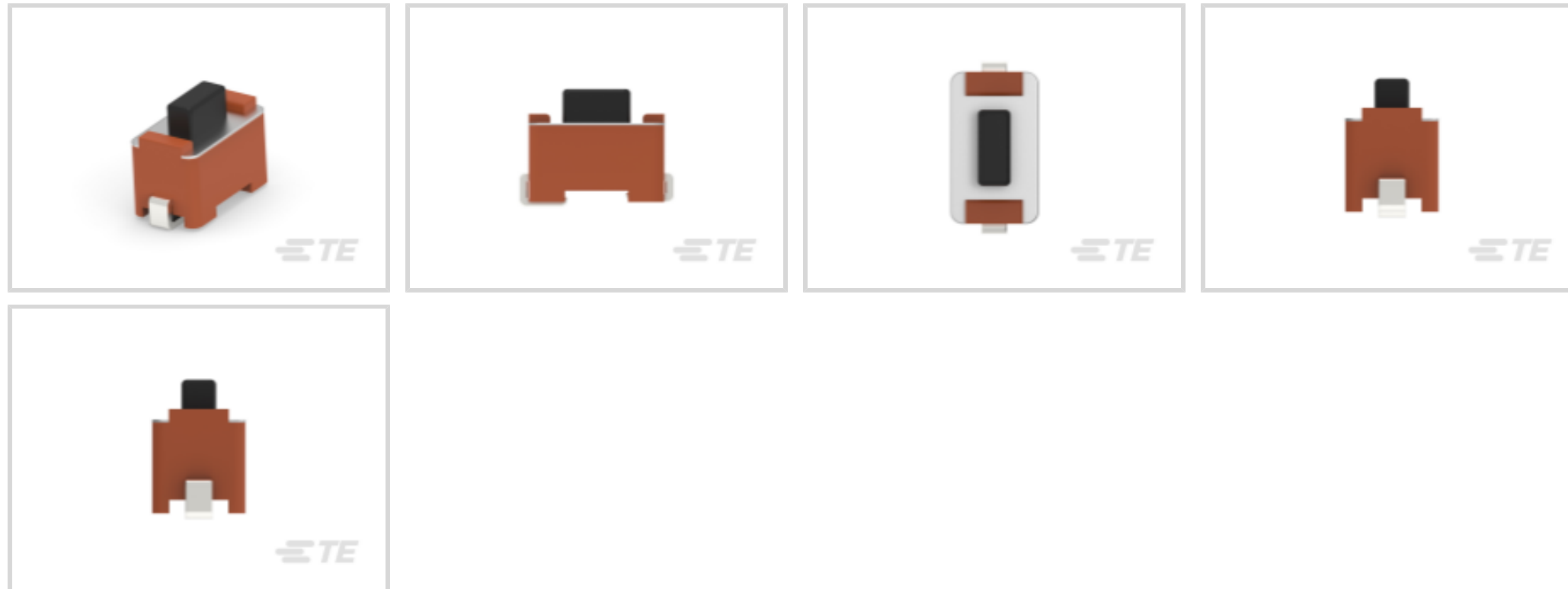
TE Internal #: 147873-1

Tactile Switches, Rectangular Actuator Style, NO, Copper Alloy, Silver, Low Profile, 50mA Contact Current Rating, Operating Voltage 24 VDC

[View on TE.com >](#)



Switches > Tactile Switches



Actuator Style: **Rectangular**

Operating Function: **NO**

Contact Base Material: **Copper Alloy**

Switch Contact Plating Material: **Silver**

Low Profile: **With**

### Features

#### Product Type Features

Switch Connection Type	Printed Circuit Board
Leg Style	J Style
Illuminated	With
Actuator Style	Rectangular

#### Configuration Features

ESD Grounding Terminal	Without
Ganged	With
Switch Feedback Type	Tactile
Operating Function	NO
Support Bracket	Without
Configuration (Pole-Throw)	Single Pole - Single Throw
Number of Actuators	Single

#### Electrical Characteristics

Operating Voltage	24 VDC
-------------------	--------



### Body Features

Cover Material	Stainless Steel
Actuator Force	180 g[6.34 oz]
Case Material	PPS
Actuator Profile	Extended
Actuator Material	PPS
Case Color	Brown
Product Orientation	Vertical
Actuator Color	Black

### Contact Features

Contact Base Material	Copper Alloy
Switch Contact Plating Material	Silver
Contact Current Rating	50 mA

### Termination Features

Termination Method to Printed Circuit Board	Surface Mount
---	---------------

### Housing Features

Low Profile	With
Process Sealed	No

### Dimensions

Actuator Length	1.5 mm[.059 in]
Button Width	3 mm[.11 in]
Product Height	5 mm[.196 in]

### Usage Conditions

Operating Temperature Range	-35 – 85 °C
-----------------------------	-------------

### Packaging Features

Packaging Method	Tape & Reel
------------------	-------------

### Product Compliance

[For compliance documentation, visit the product page on TE.com>](#)

EU RoHS Directive 2011/65/EU	Compliant
EU ELV Directive 2000/53/EC	Compliant
China RoHS 2 Directive MIIT Order No 32, 2016	No Restricted Materials Above Threshold



EU REACH Regulation (EC) No. 1907/2006

Current ECHA Candidate List: JUNE 2024 (241)

Candidate List Declared Against: JAN 2024 (240)

Does not contain REACH SVHC

Halogen Content

Low Halogen - Br, Cl, F, I < 900 ppm per homogenous material. Also BFR/CFR/PVC Free

Solder Process Capability

Reflow solder capable to 260°C

Product Compliance Disclaimer

This information is provided based on reasonable inquiry of our suppliers and represents our current actual knowledge based on the information they provided. This information is subject to change. The part numbers that TE has identified as EU RoHS compliant have a maximum concentration of 0.1% by weight in homogenous materials for lead, hexavalent chromium, mercury, PBB, PBDE, DBP, BBP, DEHP, DIBP, and 0.01% for cadmium, or qualify for an exemption to these limits as defined in the Annexes of Directive 2011/65/EU (RoHS2). Finished electrical and electronic equipment products will be CE marked as required by Directive 2011/65/EU. Components may not be CE marked. Additionally, the part numbers that TE has identified as EU ELV compliant have a maximum concentration of 0.1% by weight in homogenous materials for lead, hexavalent chromium, and mercury, and 0.01% for cadmium, or qualify for an exemption to these limits as defined in the Annexes of Directive 2000/53/EC (ELV). Regarding the REACH Regulation, the information TE provides on SVHC in articles for this part number is based on the latest European Chemicals Agency (ECHA) 'Guidance on requirements for substances in articles' posted at this URL: <https://echa.europa.eu/guidance-documents/guidance-on-reach>

## Compatible Parts



TE Part # 1825910-6  
FSM4JH=6MM TACT SWITCH, HIGH TEMP



TE Part # 2-1825910-7  
FSM14JH=6MM TACT SWITCH, HIGH TEMP



TE Part # 4-1437565-2  
FSM4JSMATR=TACT SWITCH 6X6MIL



TE Part # 3-1437565-0  
FSM2JSMATR=ON T/R

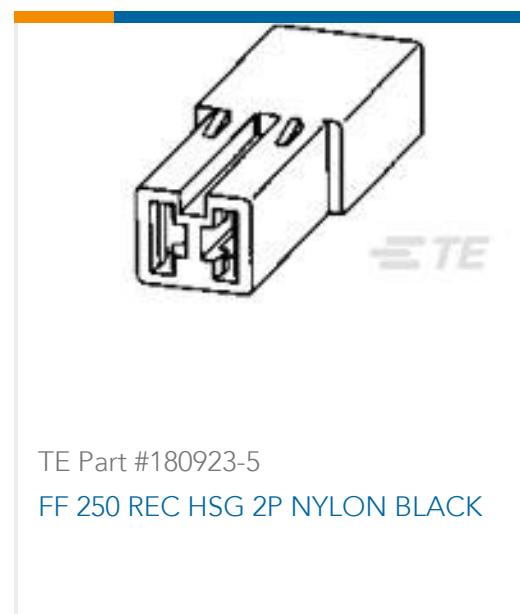


TE Part # 2-1977223-8  
FSM14JSMAS=6MM TACT SWITCH, SMT 160gf

## Customers Also Bought



TE Part #2-1445094-2  
MICRO MNL HDR ASSY S/ROW AU LF



TE Part #180923-5  
FF 250 REC HSG 2P NYLON BLACK



TE Part #2-2296205-4  
24P RCPT VAL-U-LOK GWT/V0



TE Part #2267078-5  
TMS3T5B2M2RE



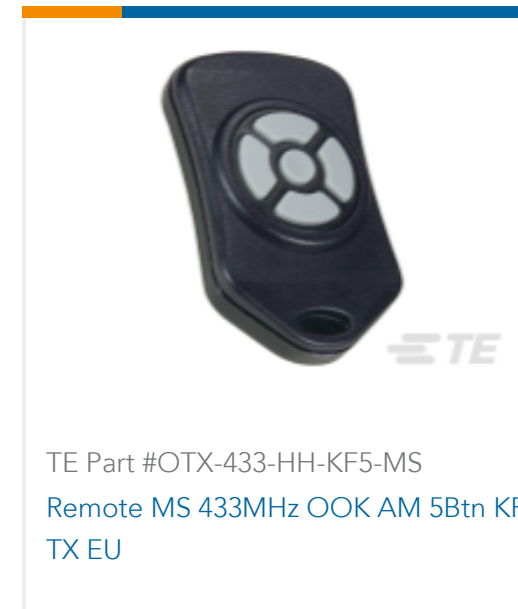
TE Part #2-2296206-4  
24P FH PLUG VAL-U-LOK FH GWT/V0



TE Part #2-2176315-2  
MELF SMA\_A 5K6 0.1% 15PPM 0204  
0.4W



TE Part #HUM-900-PRO-CAS  
Module HUM-PRO 900MHz FHSS FM  
XCVR FCC



TE Part #OTX-433-HH-KF5-MS  
Remote MS 433MHz OOK AM 5Btn KF  
TX EU



TE Part #2176467-3  
TLRP 1206 1.0W R012 1% 50PPM 5K RL



TE Part #5-1393788-3  
V23079C1108B301

## Documents

### Product Drawings

SWITCH,TACT,SMT,J-LEAD,5.0MM

English

### CAD Files

3D PDF

3D

Customer View Model

[ENG\\_CVM\\_CVM\\_147873-1\\_K\\_c-147873-1-k.2d\\_dxf.zip](#)

English

Customer View Model

[ENG\\_CVM\\_CVM\\_147873-1\\_K\\_c-147873-1-k.3d\\_igs.zip](#)

English

Customer View Model

[ENG\\_CVM\\_CVM\\_147873-1\\_K\\_c-147873-1-k.3d\\_stp.zip](#)

English

By downloading the CAD file I accept and agree to the [Terms and Conditions](#) of use.

### Datasheets & Catalog Pages



**SWITCHES\_CORE\_PROGRAM\_CATALOG**

English

**Products for Mobile Equipment**

English