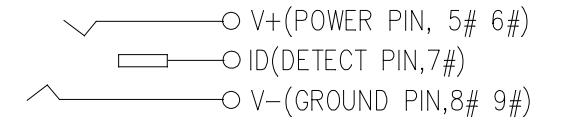
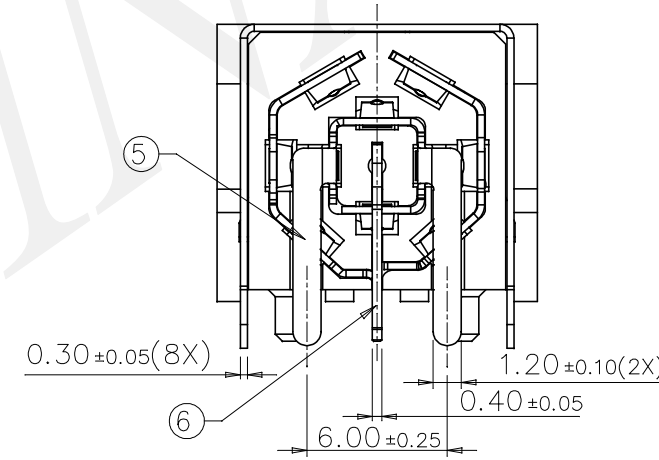
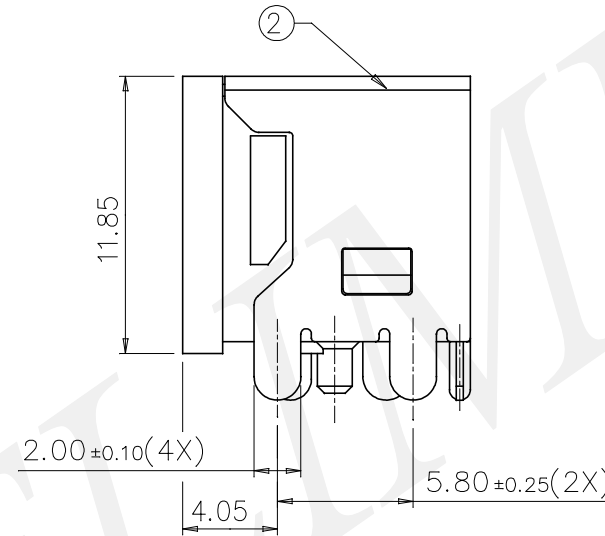
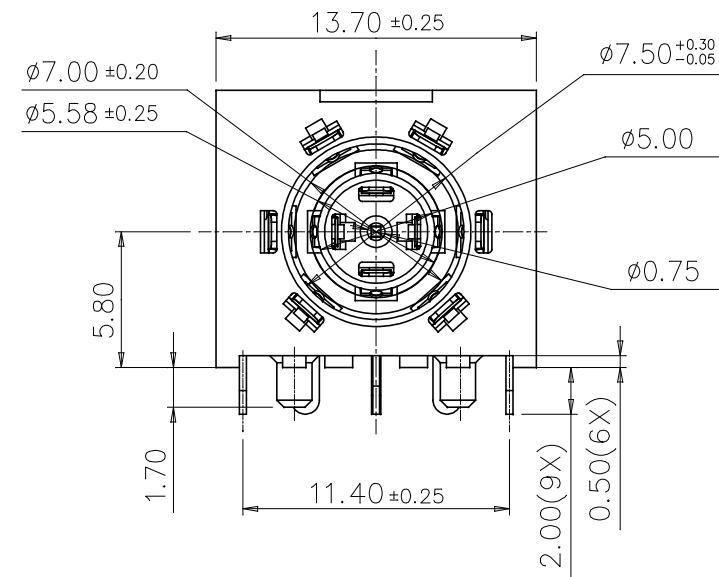
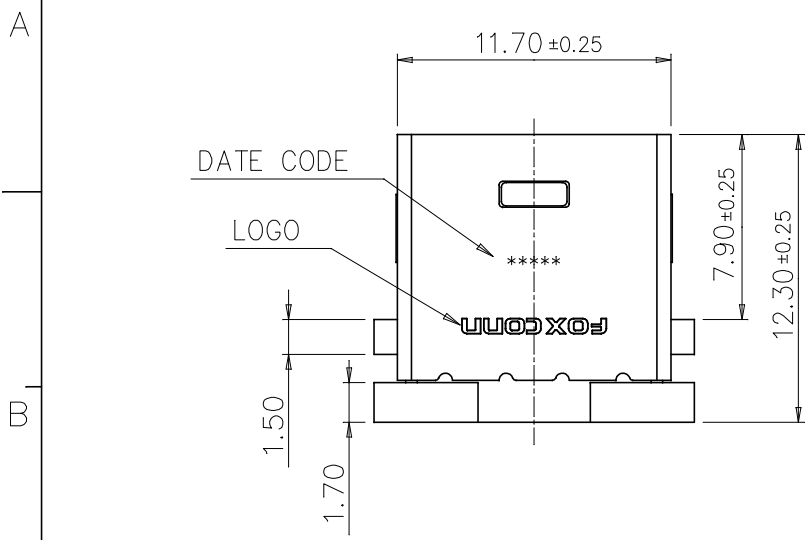


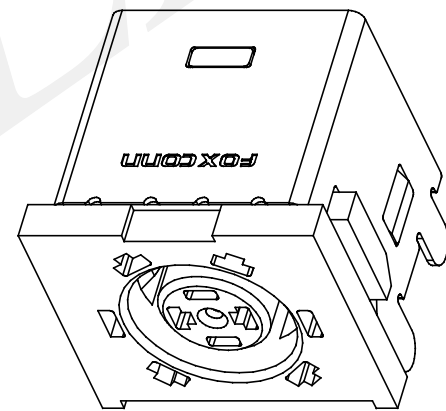
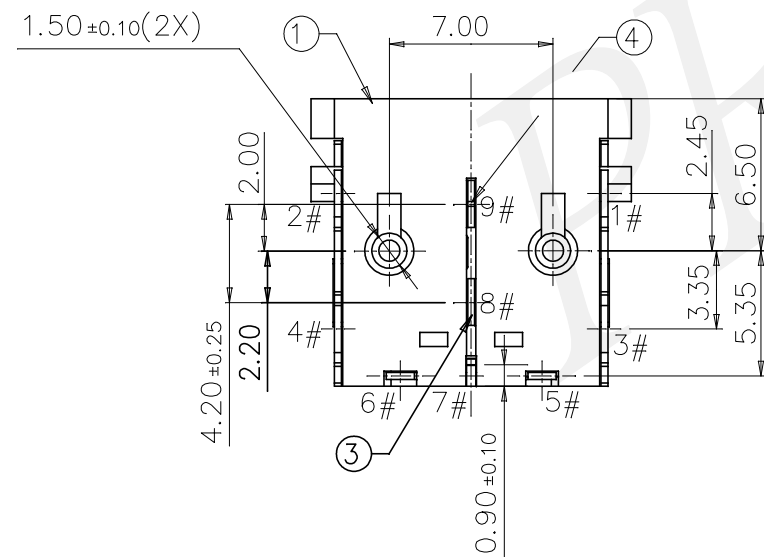
NOTES:

1. ELECTRICAL CHARACTERISTICS:
 - 1.1 CONNECTOR RATED CURRENT: 20A & 30°C MAX. ΔT OVER AMBIENT.
RATED VOLTAGE: 20V DC.
 - 1.2 INSULATION RESISTANCE:
100 MOHMS MIN. INITIAL/50 MOHMS MIN. AFTER HUMIDITY TEST.
APPLY 500V DC MATED AND UNMATED CONN.
 - 1.3 DIELECTRIC WITHSTANDING VOLTAGE:
CURRENT LEAKAGE: 0.5mA MAX.
APPLY 500V AC RMS AT SEA LEVEL CONTACT TO CONTACT.
 - 1.4 CONTACT RESISTANCE:
30 mOHMS MAX. AFTER 5000 CYCLES: ΔR<20 mOHMS MAX..
2. MECHANICAL CHARACTERISTICS:
 - 2.1 INSERTION FORCE: 3.0~30.0N; EXTRACTION FORCE: 3.0~30.0N.
 - 2.2 DURABILITY (INSERTION/EXTRACTION CYCLES): 10000 CYCLES.
3. OPERATING TEMPERATURE RANGE: -40°C~85°C.
4. HUMIDITY: 85% RH MAX.
5. P.C.B. LAYOUT DRAWING DIMENSION: DEFAULT TOLERANCE: ±0.05mm.
6. RECOMMENDED P.C.B. THICKNESS: 1.60±0.05mm.
7. PLEASE CONTACT FOXCONN SALES REPRESENTATIVE TO VERIFY PRODUCT DETAILS & AVAILABILITY.
8. RECOMMEND STORE TIME: LESS THAN THREE MONTHS.


REV.	ECN. NO.	APPD.
A	BC-08-7150844	Joel
B	BC-09-7097881	C.S. Li
C	BC-10-0041955	C.S. Li
D	BC-10-0088954	C.S. Li
E	BC-11-0012585	C.S. Li
F	BC-13-0055276	Shih-Wei Hsiao
FX10	20171129	Shih-Wei Hsiao
FX11	20180308	Shih-Wei Hsiao
FX12	20190116	Shih-Wei Hsiao



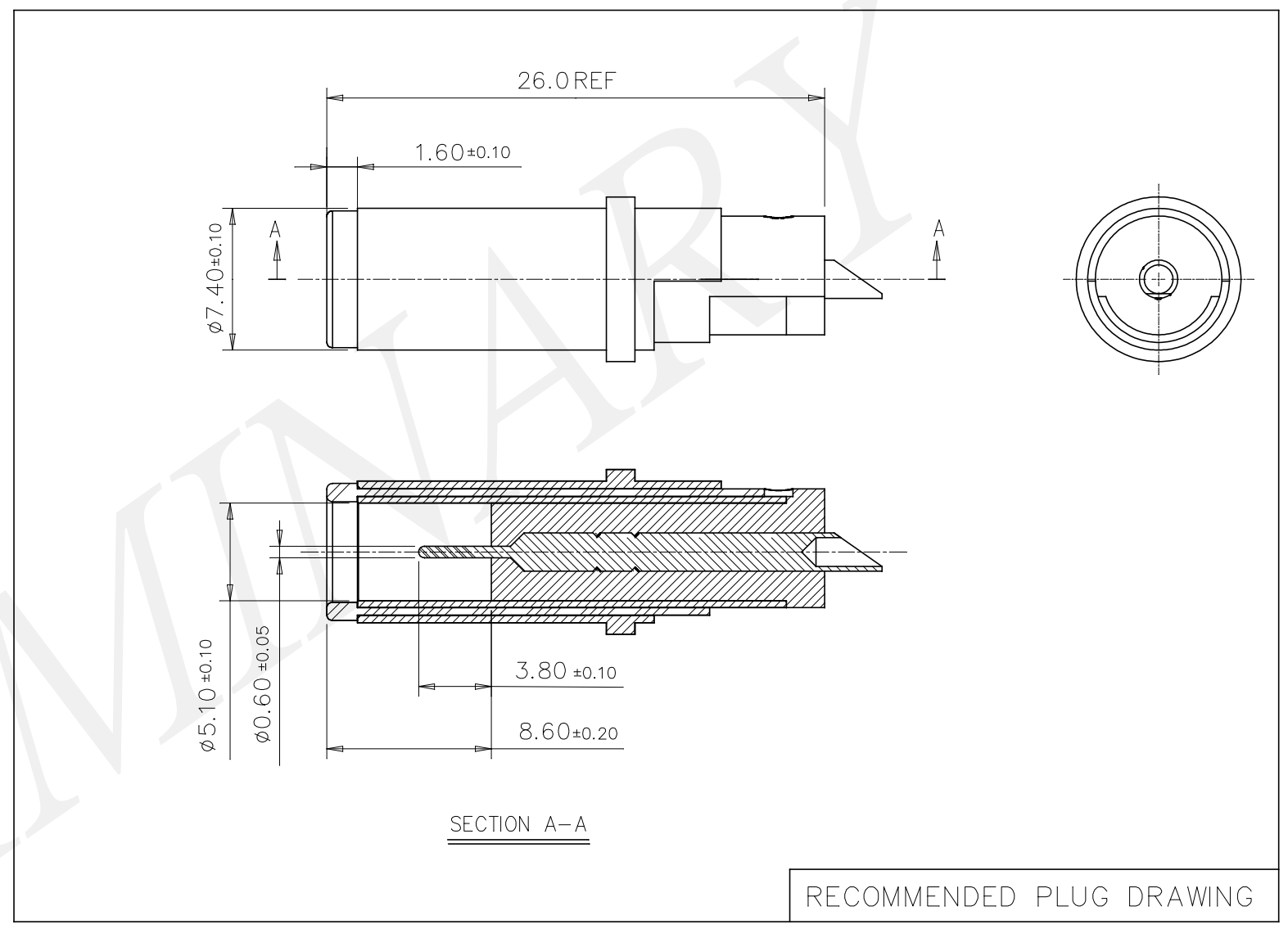
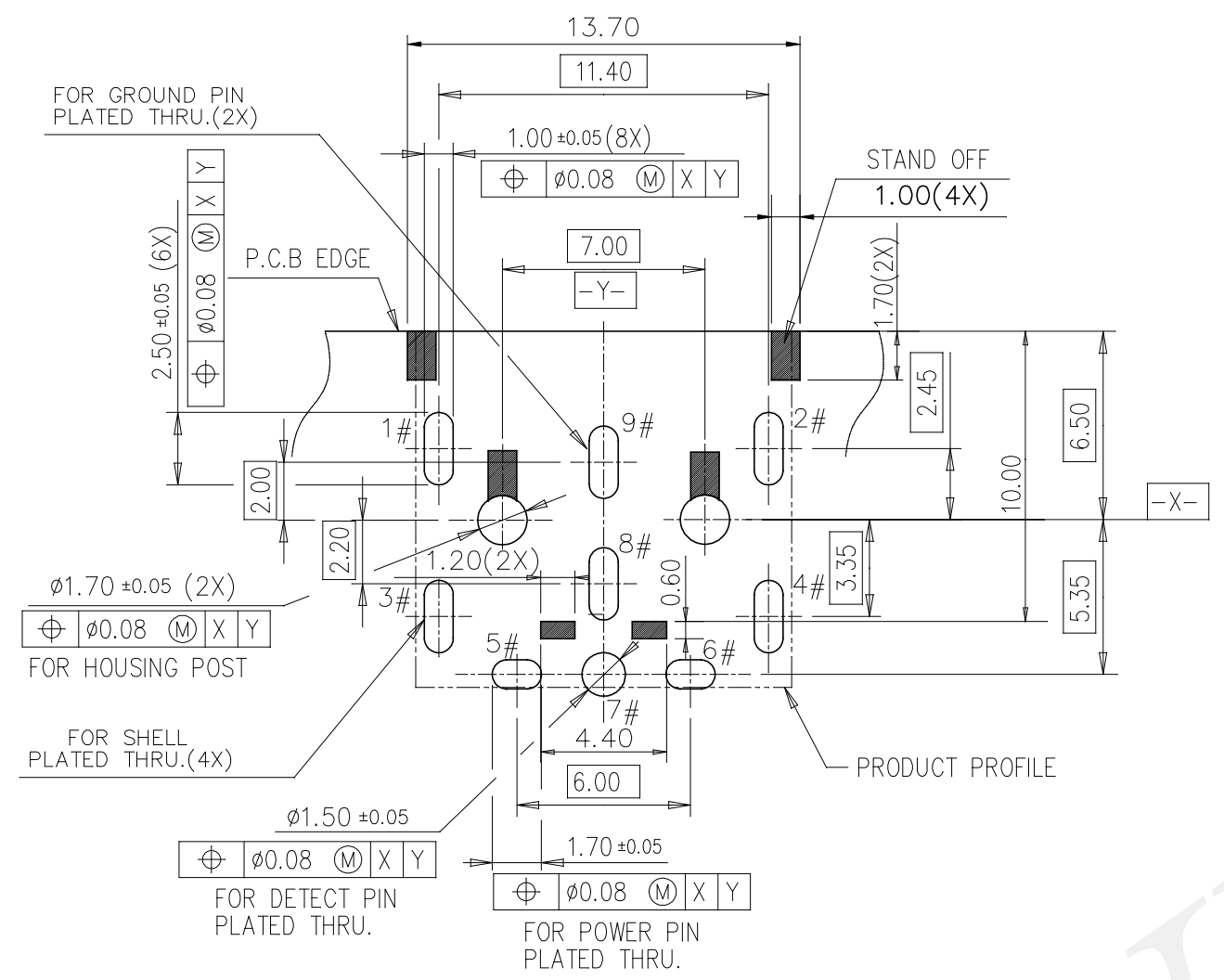
CIRCUIT DIAGRAM



ITEM	DESC.	Q'TY	MATERIAL	TREATMENT
6	DETECT PIN	1	BRASS(C2680)	50u" NICKEL UNDER PLATING OVERALL
5	POWER PIN	1	CUPRO-NICKEL(C7025)	40u" Pd/Ni+1~5u" GOLD PLATING ON CONTACT AREA(JPD113D-DB570-*) . 1u" GOLD PLATING ON CONTACT AREA(JPD113I-DB570-*) . 1u" Au PLATING AT THE TAIL AREA
4	GROUND PIN 2	1	CUPRO-NICKEL(C7025)	50u" NICKEL UNDER PLATING OVERALL
3	GROUND PIN 1	1	CUPRO-NICKEL(C7025)	100u" BRIGHT TIN PLATING AT THE TAIL AREA
2	SHELL	1	METAL(SUS430)	50u" NICKEL UNDER PLATING OVERALL
1	HOUSING	1	HI-TEMP THERMOPLASTIC UL 94V-0 JPD113*-DB570-7H: LCP JPD113*-DB570-7F: PA9T	100u" BRIGHT TIN PLATING AT THE TAIL AREA

X. ±	X. ° ±	UNITS	mm	NAME (INTENDED USE)	 FOXCONN INTERCONNECT TECHNOLOGY LIMITED. CLASS: <input type="checkbox"/> CONFIDENTIAL <input type="checkbox"/> SECRET <input checked="" type="checkbox"/> GENERAL TITLE: CUSTOMER DRAWING DWG NO.: 305-0000-2207	
.X ± 0.38	.X ° ±	MAT'L		POWER JACK CONNECTOR		
.XX ± 0.25	.XX ° ±			PART NO. (INTENDED USE) JPD113*-DB570-7*		
.XXX ±	.XXX ° ±	FINISH		APPD: Shih-wei Hsiao		
THESE DRAWINGS AND SPECIFICATIONS ARE THE PROPERTY OF FOXCONN INTERCONNECT TECHNOLOGY LIMITED. AND SHALL NOT BE REPRODUCED, COPIED OR USED IN ANY MANNER WITHOUT THE PRIOR WRITTEN CONSENT OF FOXCONN INTERCONNECT TECHNOLOGY LIMITED.				Q'TY	CHKD: Yen-chih Chang DRAW: Elvis Zhao 01/16'19	
				SCALE	SHEET	REV.
				N/A	1/4	FX12

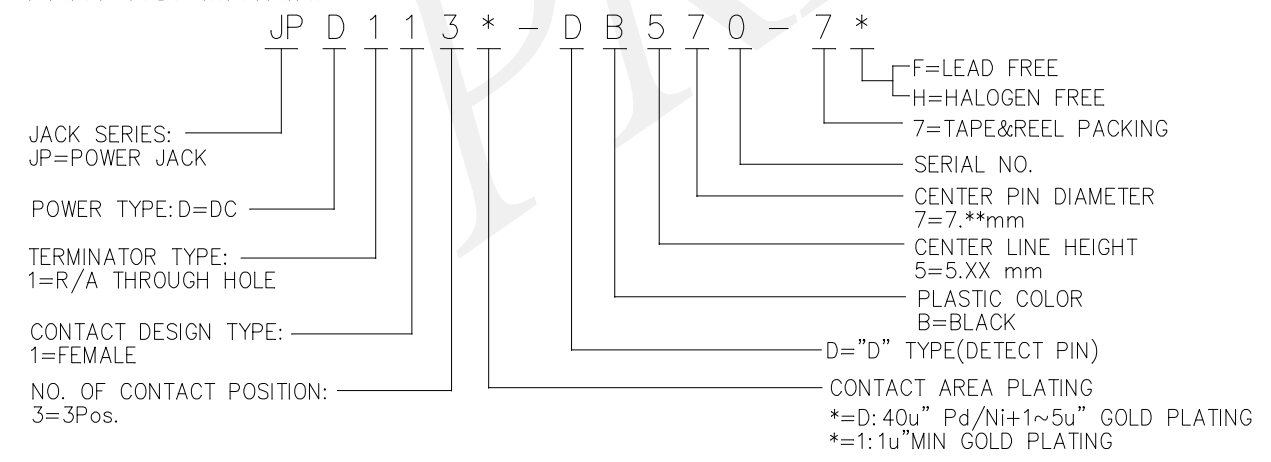
REV.	ECN. NO.	APPD.
FX12		




RECOMMENDED P.C.B. LAYOUT(TOP VIEW)

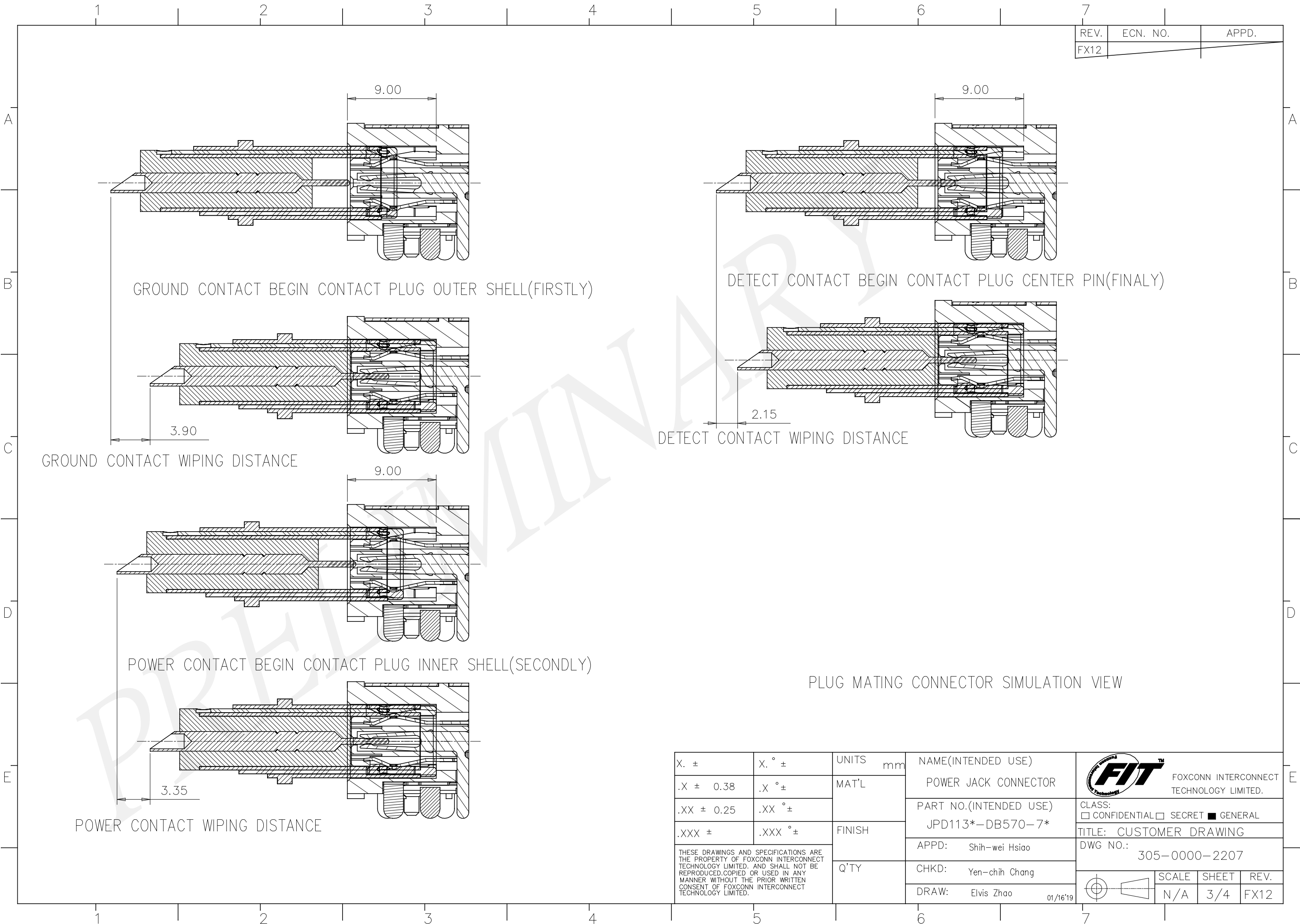
P.C.B. THICKNESS: 1.60±0.05mm
(TOLERANCE: ±0.05mm)

PART NO. MATRIX:


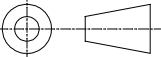


X. ±	X. ° ±	UNITS mm	NAME(INTENDED USE)	 FOXCONN INTERCONNECT TECHNOLOGY LIMITED.
.X ± 0.38	.X ° ±	MAT'L	POWER JACK CONNECTOR	
.XX ± 0.25	.XX ° ±	FINISH	PART NO.(INTENDED USE)	CLASS: <input type="checkbox"/> CONFIDENTIAL <input type="checkbox"/> SECRET <input checked="" type="checkbox"/> GENERAL
.XXX ±	.XXX ° ±		Q'TY	JPD113*-DB570-7*
THESE DRAWINGS AND SPECIFICATIONS ARE THE PROPERTY OF FOXCONN INTERCONNECT TECHNOLOGY LIMITED. AND SHALL NOT BE REPRODUCED, COPIED OR USED IN ANY MANNER WITHOUT THE PRIOR WRITTEN CONSENT OF FOXCONN INTERCONNECT TECHNOLOGY LIMITED.			APPD: Shih-wei Hsiao	DWG NO.: 305-0000-2207
			CHKD: Yen-chih Chang	SCALE SHEET REV. N/A 2/4 FX12
			DRAW: Elvis Zhao	01/16'19

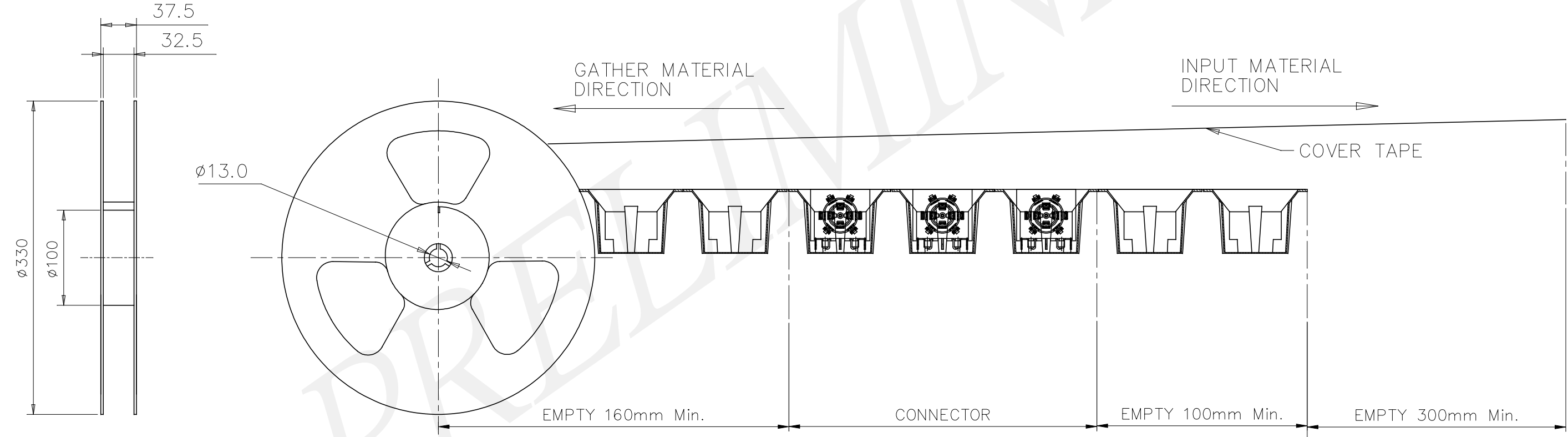
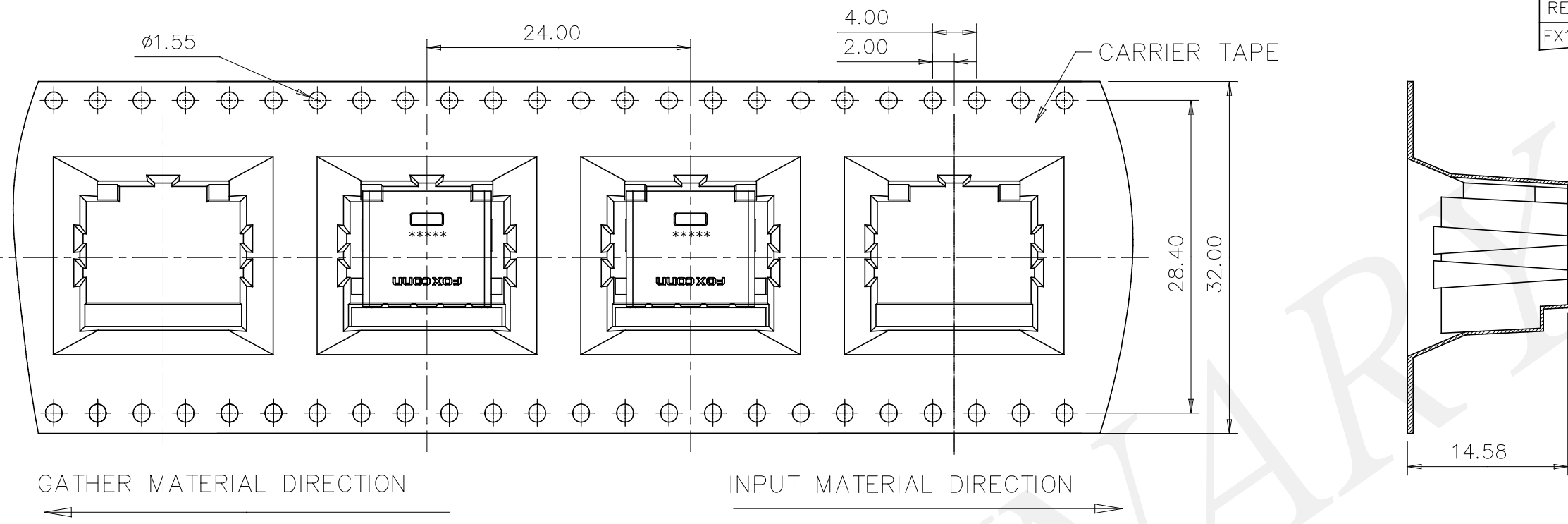
REV.	ECN. NO.	APPD.
FX12		



PLUG MATING CONNECTOR SIMULATION VIEW

X. ±	X. ° ±	UNITS	mm	NAME (INTENDED USE)	 FOXCONN INTERCONNECT TECHNOLOGY LIMITED.		
.X ± 0.38	.X ° ±	MAT'L		POWER JACK CONNECTOR			
.XX ± 0.25	.XX ° ±			PART NO. (INTENDED USE)	CLASS: <input type="checkbox"/> CONFIDENTIAL <input type="checkbox"/> SECRET <input checked="" type="checkbox"/> GENERAL		
.XXX ±	.XXX ° ±	FINISH		JPD113*-DB570-7*	TITLE: CUSTOMER DRAWING		
THESE DRAWINGS AND SPECIFICATIONS ARE THE PROPERTY OF FOXCONN INTERCONNECT TECHNOLOGY LIMITED. AND SHALL NOT BE REPRODUCED, COPIED OR USED IN ANY MANNER WITHOUT THE PRIOR WRITTEN CONSENT OF FOXCONN INTERCONNECT TECHNOLOGY LIMITED.				APPD: Shih-wei Hsiao	DWG NO.: 305-0000-2207		
				Q'TY	CHKD: Yen-chih Chang		
				DRAW: Elvis Zhao	01/16'19		
					SCALE	SHEET	REV.
				N/A	3/4	FX12	

REV.	ECN. NO.	APPD.
FX12		



PCS/REEL	REEL/BOX	PCS/BOX
170	6	1020

X. ±	X. ° ±	UNITS	mm	NAME(INTENDED USE)	
.X ± 0.38	.X ° ±	MAT'L		POWER JACK CONNECTOR	
.XX ± 0.25	.XX ° ±			PART NO.(INTENDED USE)	
.XXX ±	.XXX ° ±	FINISH		JPD113*-DB570-7*	
<small>THESE DRAWINGS AND SPECIFICATIONS ARE THE PROPERTY OF FOXCONN INTERCONNECT TECHNOLOGY LIMITED. AND SHALL NOT BE REPRODUCED, COPIED OR USED IN ANY MANNER WITHOUT THE PRIOR WRITTEN CONSENT OF FOXCONN INTERCONNECT TECHNOLOGY LIMITED.</small>				APPD: Shih-wei Hsiao	
				Q'TY	CHKD: Yen-chih Chang
					DRAW: Elvis Zhao

FIT FOXCONN INTERCONNECT TECHNOLOGY LIMITED.

CLASS:
 CONFIDENTIAL SECRET GENERAL

TITLE: CUSTOMER DRAWING

DWG NO.: 305-0000-2207

SCALE	SHEET	REV.
N/A	4/4	FX12