

## SPECIFICATIONS

## Modular Jack

### Mechanical

**Mating Force:** 4Pounds Max.  
**Unmating Force:** 4Pounds Max.  
**Durability:** 1000 Cycles

### Electrical

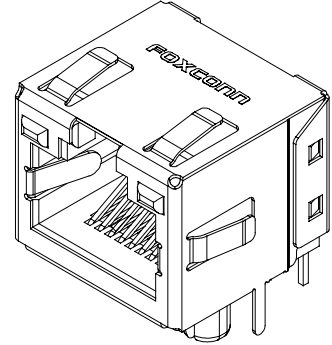
**Current Rating:** 1.5A Max.  
**Voltage Rating:** 150 VAC  
**Dielectric Withstanding Voltage:** 1000V Contact To Contact  
 1500V Contact To Shield

### Physical

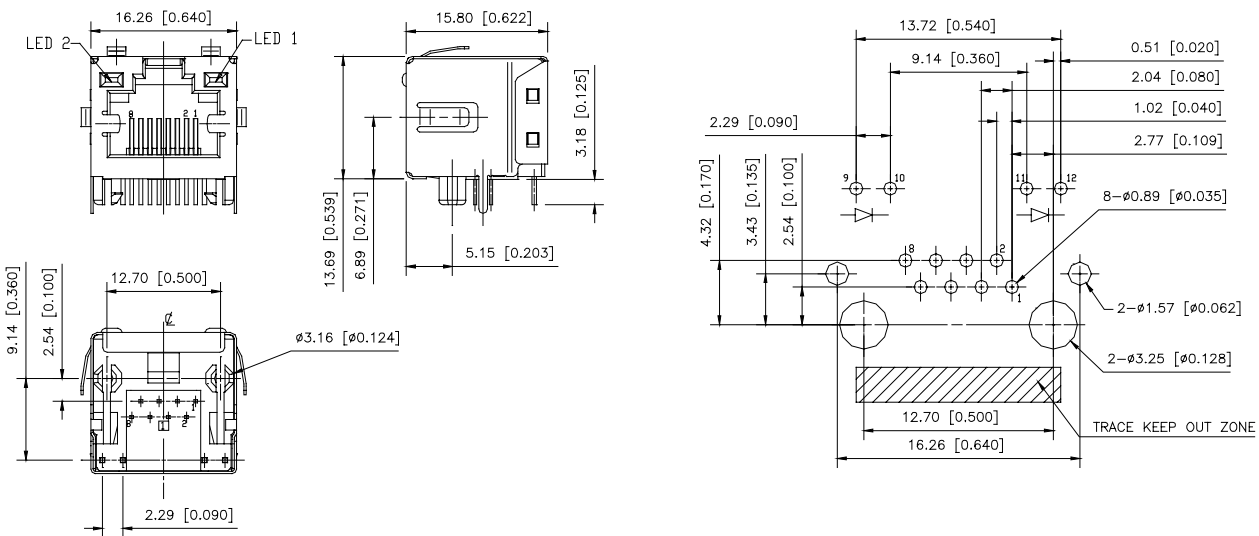
**Housing:** Thermoplastic, UL 94V-0 Rated In Black Color  
**Contact:** Copper Alloy  
**Shell:** Copper Alloy  
**Operating Temperature:** 0 to +70

### JM Series

**RJ45 1\*1**  
**R/A, T/U, T/H Type**  
**W/LED**  
**1.02mm [.040"] Pitch**



## DRAWING



## ORDERING INFORMATION

PRODUCT NO.: JM 3 7 1 1 5 - L1FF - 4 F

- JM = MODULE JACK
- 3 = R/A, ALL SHIELDED, T/H
- 7 = W/ TOP & SIDE PANEL-GND, W/ BOARD-LOCK
- 1 = 8P8C
- 1 = SINGLE PORT
- 5 = 50u" GOLD PLATING THICKNESS
- L1 = LED COLOR YELLOW AND GREEN
- FF = EXTENSION DODE
- 4 = PACKAGE TYPE: SOFT TRAY
- F = LEAD FREE

P/N	LED 2	LED 1
	9 $\phi$ $\phi$ 10	11 $\phi$ $\phi$ 12
JM37115-L1FF-4F	YELLOW 	GREEN 