



FAK complete unit emergency-stop

Part no. FAK-R/V/KC11/IY

Article no. 229748



totally insulated



Pull to release




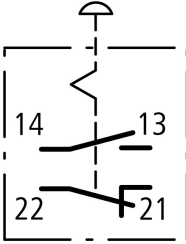
Emergency-stop actuator tamper-proof to ISO 13850/EN 418

Enclosure base: black (RAL 9005)

Enclosure top: yellow (RAL 1004)

Pull to release

Delivery programme

			<p>Pull to release</p> <p>Emergency-stop actuator tamper-proof to ISO 13850/EN 418</p> <p>Enclosure base: black (RAL 9005)</p> <p>Enclosure top: yellow (RAL 1004)</p>
Mark of conformity 2			
Auxiliary contacts:  = safety function, by positive opening to IEC/EN 60947-5-1			
N/O = Normally open			1 N/O
N/C = Normally closed			1 N/C 
Contact sequence			
Colour of mushroom head, indicator light			Yellow
Function			Stay-put
Protection type			IP67, IP69K



Approval totally insulated

General

Standards			IEC/EN 60947 VDE 0660
Lifespan, mechanical	Operations	$\times 10^6$	≥ 0.1
Operating frequency	Operations/h		600
Actuating force			40 – 60
Degree of protection, IEC/EN 60529			IP67, IP69K
Climatic proofing			Damp heat, constant, to IEC 60068-2-78 Damp heat, cyclic, to IEC 60068-2-30
Ambient temperature		°C	
Open		°C	$\approx 25 \dots 40$
Mounting position			As required
Mechanical shock resistance to IEC 60068-2-27 Shock duration 11 ms, half-sinusoidal		g	≥ 15

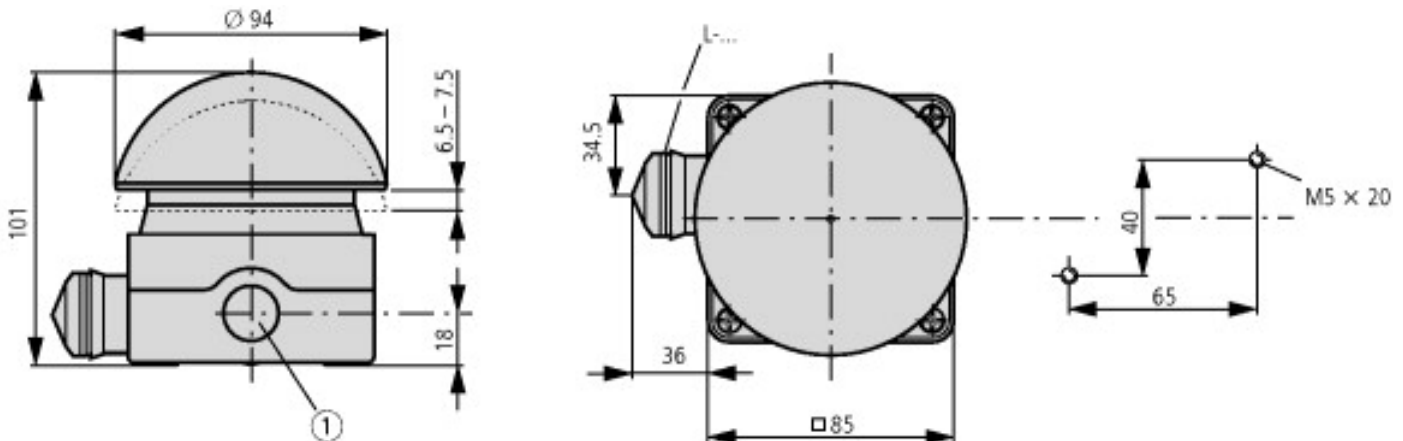
Contacts

Rated impulse withstand voltage	U_{imp}	V AC	6000
Rated insulation voltage	U_i	V	500

Switching capacity

Rated operational current	I_e	A	
AC-15			
230 V	I_e	A	6
DC-13			
24 V	I_e	A	3

Dimensions



3 × M20 (PG 13.5) lateral mounting
1 × M16 in base

1 3 × M20 lateral
1 × M1 in the base