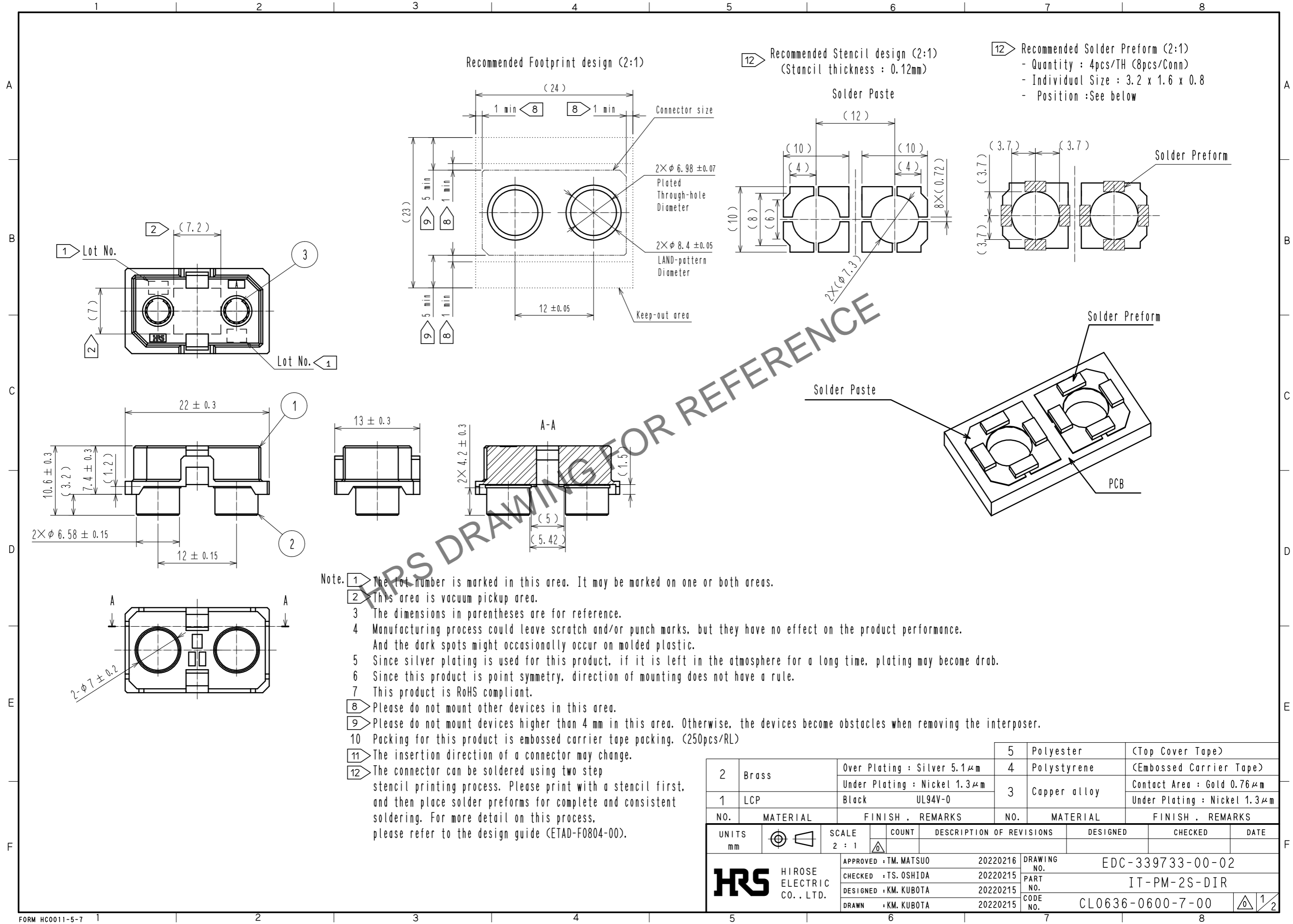


Oct.1.2024 Copyright 2024 HIROSE ELECTRIC CO., LTD. All Rights Reserved.  
 In case of consideration for using Automotive equipment / device which demand high reliability, kindly contact our sales window correspondents.

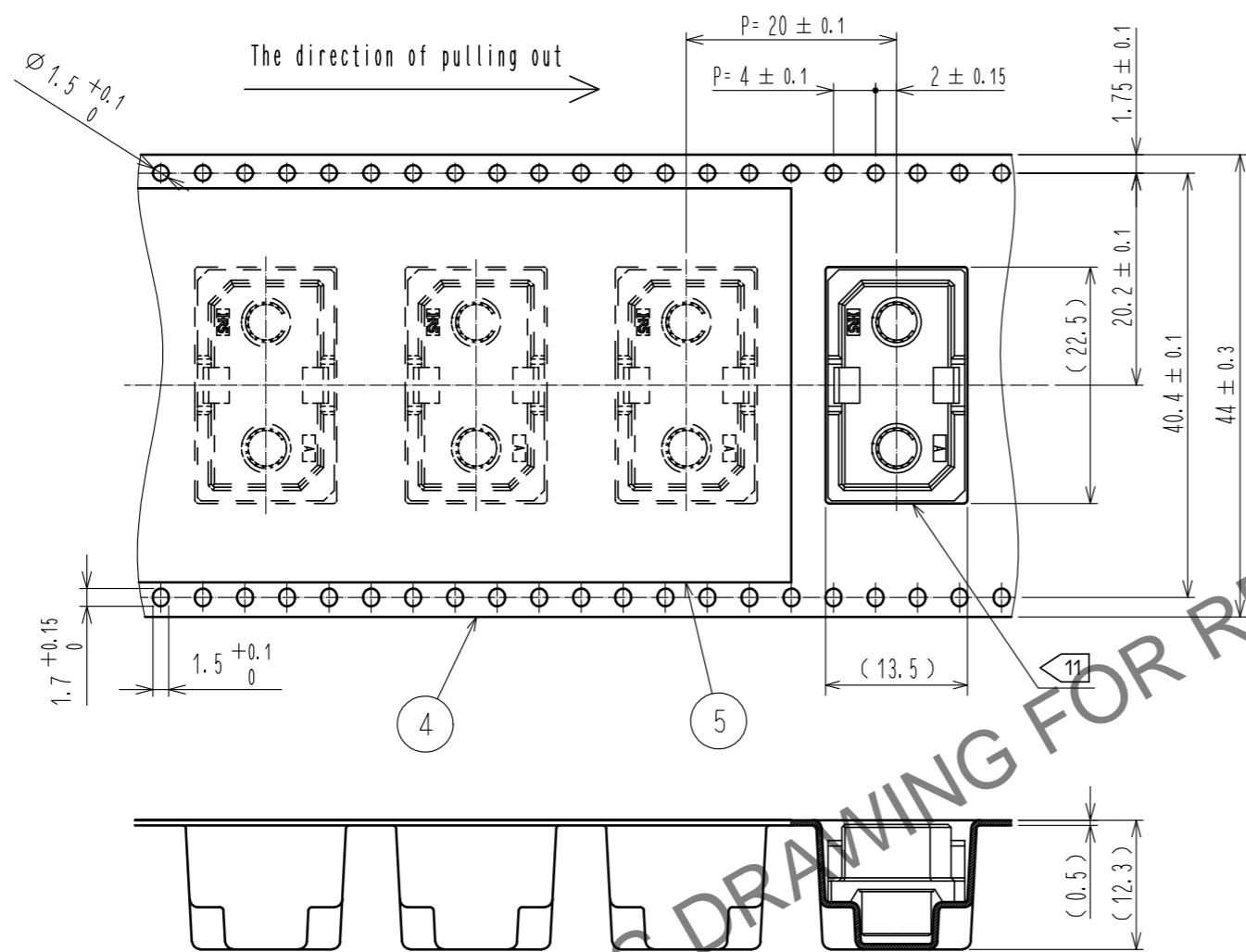


- Note.
- 1 The lot number is marked in this area. It may be marked on one or both areas.
  - 2 This area is vacuum pickup area.
  - 3 The dimensions in parentheses are for reference.
  - 4 Manufacturing process could leave scratch and/or punch marks, but they have no effect on the product performance. And the dark spots might occasionally occur on molded plastic.
  - 5 Since silver plating is used for this product, if it is left in the atmosphere for a long time, plating may become drab.
  - 6 Since this product is point symmetry, direction of mounting does not have a rule.
  - 7 This product is RoHS compliant.
  - 8 Please do not mount other devices in this area.
  - 9 Please do not mount devices higher than 4 mm in this area. Otherwise, the devices become obstacles when removing the interposer.
  - 10 Packing for this product is embossed carrier tape packing. (250pcs/RL)
  - 11 The insertion direction of a connector may change.
  - 12 The connector can be soldered using two step stencil printing process. Please print with a stencil first, and then place solder preforms for complete and consistent soldering. For more detail on this process, please refer to the design guide (ETAD-F0804-00).

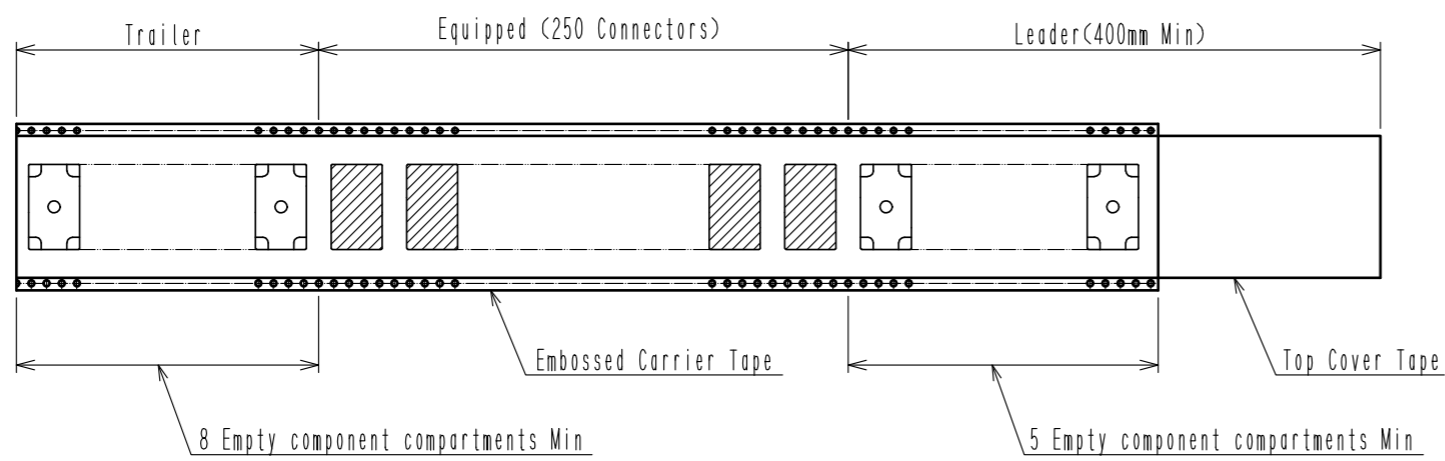
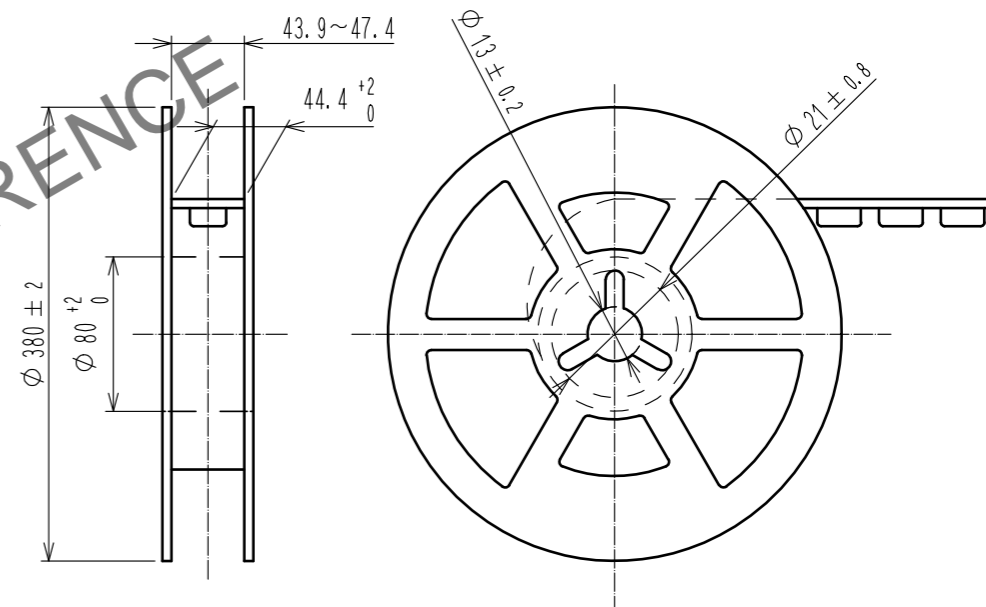
2	Brass	Over Plating : Silver 5.1μm	5	Polyester	(Top Cover Tape)
		Under Plating : Nickel 1.3μm	4	Polystyrene	(Embossed Carrier Tape)
1	LCP	Black UL94V-0	3	Copper alloy	Contact Area : Gold 0.76μm
					Under Plating : Nickel 1.3μm
NO.	MATERIAL	FINISH . REMARKS	NO.	MATERIAL	FINISH . REMARKS
UNITS	mm	SCALE	2 : 1	COUNT	DESCRIPTION OF REVISIONS
					DESIGNED
					CHECKED
					DATE
APPROVED : TM. MATSUO		20220216	DRAWING NO. EDC-339733-00-02		
CHECKED : TS. OSHIDA		20220215	PART NO. IT-PM-2S-DIR		
DESIGNED : KM. KUBOTA		20220215	CODE NO. CL0636-0600-7-00		
DRAWN : KM. KUBOTA		20220215			

Oct.1.2024 Copyright 2024 HIROSE ELECTRIC CO., LTD. All Rights Reserved.  
 In case of consideration for using Automotive equipment / device which demand high reliability, kindly contact our sales window correspondents.

Drawing For Packing (Free)



Reeling Dimension (Free)



HRS DRAWING FOR REFERENCE

<b>HRS</b>	DRAWING NO.	EDC-339733-00-02	2/2
	PART NO.	IT-PM-2S-DIR	
	CODE NO.	CL0636-0600-7-00	