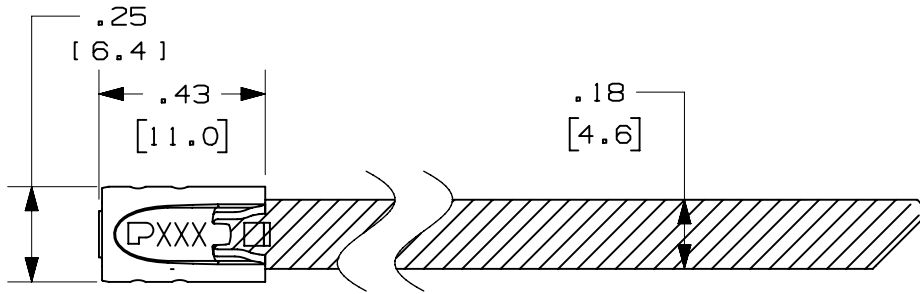
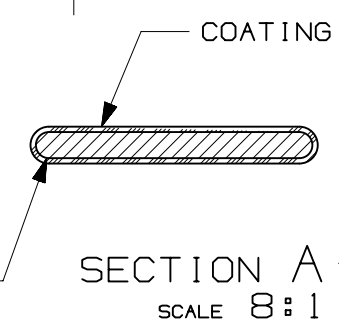
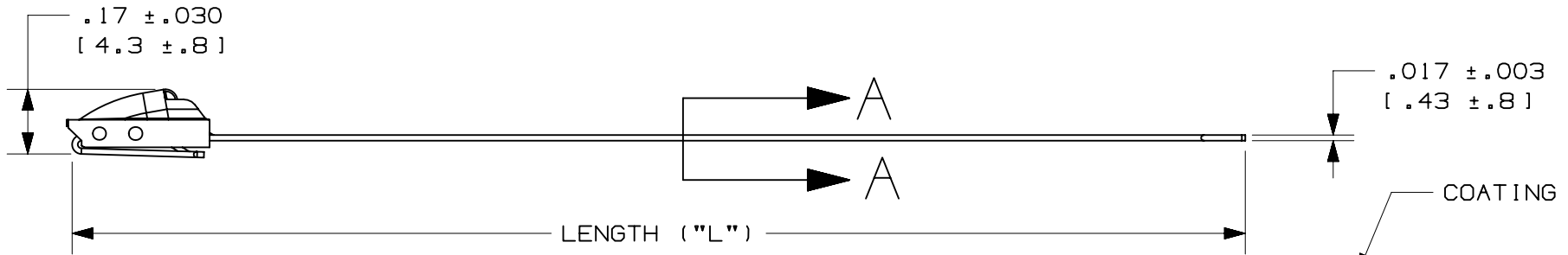


THIS COPY IS PROVIDED ON A RESTRICTED BASIS AND IS NOT TO BE USED IN ANY WAY DETRIMENTAL TO THE INTERESTS OF PANDUIT CORP.



PANDUIT PART NO.	MAX BUNDLE DIAMETER	PACKAGE QTY	LENGTH ('L") +/- .3" [ 7 ]
IMLTFC38S-C6L	1.5" [ 38 ]	100	6.2" [ 158 ]
IMLTFC51S-C6L	2" [ 51 ]	100	7.9" [ 201 ]
IMLTFC64S-C6L	2.5" [ 64 ]	100	9.4" [ 233 ]
IMLTFC86S-C6L	3.4" [ 86 ]	100	12.2" [ 310 ]
IMLTFC102S-C6L	4" [ 102 ]	100	14.3" [ 362 ]
IMLTFC137S-C6L	5.4" [ 137 ]	100	18.2" [ 462 ]
IMLTFC152S-C6L	6" [ 152 ]	100	20.5" [ 521 ]
IMLTFC203S-C6L	8" [ 203 ]	100	26.8" [ 679 ]



- NOTES:
- 1.) APPLICATION TOOLS - GS4MT-E, PPTMT, ST2MT, HTMT
  - 2.) MINIMUM LOOP TENSILE STRENGTH - 100 LBS. (445 NEWTONS) WHEN TESTED ON A 1.5" MANDREL.
  - 3.) BRACKETS [ ] DENOTE DIMENSIONS IN MILLIMETERS, AND ARE SHOWN FOR REFERENCE ONLY
  - 4.) TOLERANCES:  
 .XXX = ±.010 [ .25 ]  
 .XX = ±.02 [ .5 ]  
 .X = ±.03 [ .8 ]  
 ANGLES = ±2°
  - 5.) MATERIAL: 316L STAINLESS STEEL
  - 6.) COATING - EPOXY POLYESTER

316L STAINLESS STEEL

SECTION A - A  
SCALE 8:1

TITLE	
<b>IMLT STANDARD FULLY COATED SINGLE LOOP ASSEMBLY 316L STAINLESS STEEL</b>	
CONTROL DRAWING	
ITEM REVISION NAME	15L355BF/01
DATASET FILE NAME	15L355BF_DC/01A
UNLESS OTHERWISE SPECIFIED, DIMENSIONAL TOLERANCES ARE: IN [ mm ]	MATERIAL: 316L STAINLESS STEEL
.X ± .XX ±	.XXX ± ANGLES ±
THIRD ANGLE PROJECTION	
DRAWN BY	DATE
JSUN	3-7-16
CHK	SCALE
JSUN	2:1
DRAWING NUMBER: <b>15L355BF_DC</b>	
SHT 1 OF 1	SIZE <b>A</b>

REV	DATE	BY	CHK	APR	DESCRIPTION	ECN
01A	7-28-21	JBN	MRJS	JADE	ADDED WIDTH AND THICKNESS DIMENSIONS REMOVED GS4MT AND ADDED GS4MT-E APPLICATION TOOLS	102878
00	3-7-16	JSUN	SKB	RGRO	INITIAL RELEASE	LPECN.15L355BF_DC/00

D10100DA/16