

## Optocoupler, Photodarlington Output, AC Input, High Gain (Single, Dual Channel)

### Features

- AC or Polarity Insensitive Inputs
- Built-in Reverse Polarity Input Protection
- Industry Standard DIP Package
- Lead-free component
- Component in accordance to RoHS 2002/95/EC and WEEE 2002/96/EC

### Agency Approvals

- UL1577, File No. E52744 System Code H or J, Double Protection
- CSA 93751
- BSI IEC60950 IEC60065
- DIN EN 60747-5-2 (VDE0884)  
DIN EN 60747-5-5 pending  
Available with Option 1

### Applications

Designed for applications requiring detection or monitoring of AC signals.

### Description

The IL755/ ILD755 are bidirectional input optically coupled isolators. They consist of two Gallium Arsenide infrared emitting diodes coupled to a silicon

### Absolute Maximum Ratings

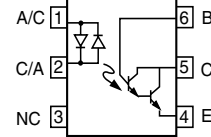
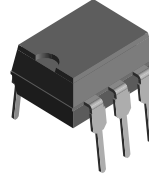
$T_{amb} = 25\text{ }^{\circ}\text{C}$ , unless otherwise specified

Stresses in excess of the absolute Maximum Ratings can cause permanent damage to the device. Functional operation of the device is not implied at these or any other conditions in excess of those given in the operational sections of this document. Exposure to absolute Maximum Rating for extended periods of the time can adversely affect reliability.

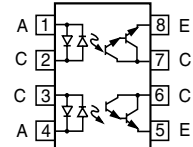
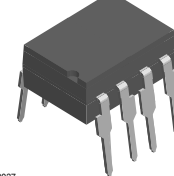
### Input

Parameter	Test condition	Symbol	Value	Unit
Forward continuous current		$I_F$	60	mA
Power dissipation		$P_{diss}$	100	mW
Derate linearly from 25 °C			1.33	mW/°C

Single Channel



Dual Channel



1179037



NPN photodarlington per channel.

The IL755 is single channel Darlington optocouplers. The ILD755 has two isolated channels in a single DIP package.

### Order Information

Part	Remarks
IL755-1	CTR > 750 %, DIP-6
IL755-2	CTR > 1000 %, DIP-6
ILD755-1	CTR > 750 %, DIP-8
ILD755-2	CTR > 1000 %, DIP-8
IL755-1X007	CTR > 750 %, SMD-6 (option 7)

For additional information on the available options refer to Option Information.

### Output

Parameter	Test condition	Part	Symbol	Value	Unit
Collector-emitter breakdown voltage			$BV_{CEO}$	60	V
Collector-base breakdown voltage			$BV_{CBO}$	60	V
Power dissipation		IL755-1	$P_{diss}$	200	mW
		IL755-2	$P_{diss}$	200	mW
		ILD755-1	$P_{diss}$	150	mW
		ILD755-2	$P_{diss}$	150	mW
Derate linearly from 25 °C		IL755-1		2.6	mW/°C
		IL755-2		2.6	mW/°C
		ILD755-1		2.0	mW/°C
		ILD755-2		2.0	mW/°C

### Coupler

Parameter	Test condition	Part	Symbol	Value	Unit
Isolation test voltage (PK)	$t = 1.0 \text{ sec.}$		$V_{ISO}$	7500/5300	$V_{ACPK}/V_{RMS}$
Total power dissipation (LED plus detector)		IL755-1	$P_{tot}$	250	mW
		IL755-2	$P_{tot}$	250	mW
		ILD755-1	$P_{tot}$	400	mW
		ILD755-2	$P_{tot}$	400	mW
Derate linearly from 25 °C		IL755-1		3.0	mW/°C
		IL755-2		3.0	mW/°C
		ILD755-1		3.0	mW/°C
		ILD755-2		3.0	mW/°C
Creepage				$\geq 7$	mm
Clearance				$\geq 7$	mm
Storage temperature			$T_{stg}$	- 55 to + 150	°C
Operating temperature			$T_{amb}$	- 55 to + 100	°C
Lead soldering time at 260 °C				10	sec.

### Electrical Characteristics

$T_{amb} = 25 \text{ °C}$ , unless otherwise specified

Minimum and maximum values are testing requirements. Typical values are characteristics of the device and are the result of engineering evaluation. Typical values are for information only and are not part of the testing requirements.

### Input

Parameter	Test condition	Symbol	Min	Typ.	Max	Unit
Forward voltage	$I_F = \pm 10 \text{ mA}$	$V_F$		1.2	1.5	V

### Output

Parameter	Test condition	Symbol	Min	Typ.	Max	Unit
Collector-emitter breakdown voltage	$I_C = 1.0 \text{ mA}$	$BV_{CEO}$	60	75		V
Collector-base breakdown voltage	$I_C = 10 \text{ }\mu\text{A}$	$BV_{CBO}$	60	90		V
Collector-emitter leakage current	$V_{CE} = 10 \text{ V}$	$I_{CEO}$		10	100	nA

## Coupler

Parameter	Test condition	Symbol	Min	Typ.	Max	Unit
Collector-emitter saturation voltage	$I_F = \pm 10 \text{ mA}$ , $I_C = 10 \text{ mA}$	$V_{CE(sat)}$			1.0	V

## Current Transfer Ratio

Parameter	Test condition	Part	Symbol	Min	Typ.	Max	Unit
Current Transfer Ratio	$V_{CE} = 5.0 \text{ V}$ , $I_F = \pm 2.0 \text{ mA}$	IL755-1	CTR	750			%
		ILD755-1	CTR	750			%
	$V_{CE} = 5.0 \text{ V}$ , $I_F = \pm 1.0 \text{ mA}$	IL755-2	CTR	1000			%
		ILD755-2	CTR	1000			%

## Switching Characteristics

Parameter	Test condition	Part	Symbol	Min	Typ.	Max	Unit
Rise time	$V_{CC} = 10 \text{ V}$ , $I_F = 2.0 \text{ mA}$ , $R_L = 100 \Omega$	IL755-1	$t_r$		50		$\mu\text{s}$
		ILD755-1	$t_r$		50		$\mu\text{s}$
Fall time	$V_{CC} = 10 \text{ V}$ , $I_F = 2.0 \text{ mA}$ , $R_L = 100 \Omega$	IL755-1	$t_f$		50		$\mu\text{s}$
		ILD755-1	$t_f$		50		$\mu\text{s}$
Rise time	$V_{CC} = 10 \text{ V}$ , $I_F = 1.0 \text{ mA}$ , $R_L = 100 \Omega$	IL755-2	$t_r$		70		$\mu\text{s}$
		ILD755-2	$t_r$		70		$\mu\text{s}$
Fall time	$V_{CC} = 10 \text{ V}$ , $I_F = 1.0 \text{ mA}$ , $R_L = 100 \Omega$	IL755-2	$t_f$		70		$\mu\text{s}$
		ILD755-2	$t_f$		70		$\mu\text{s}$

## Typical Characteristics ( $T_{amb} = 25^\circ\text{C}$ unless otherwise specified)

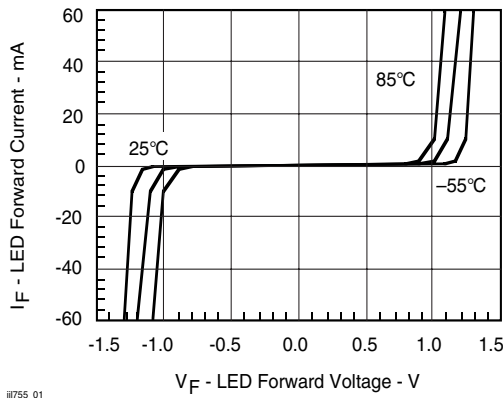


Figure 1. LED Forward Current vs. Forward Voltage

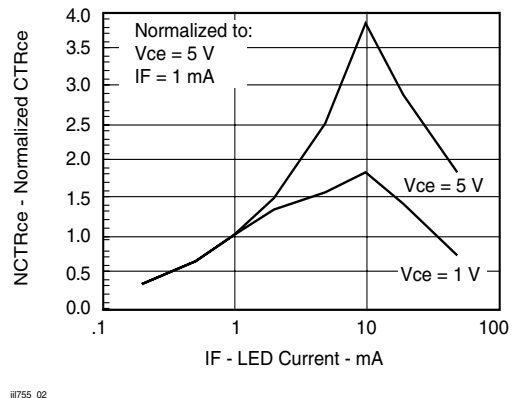
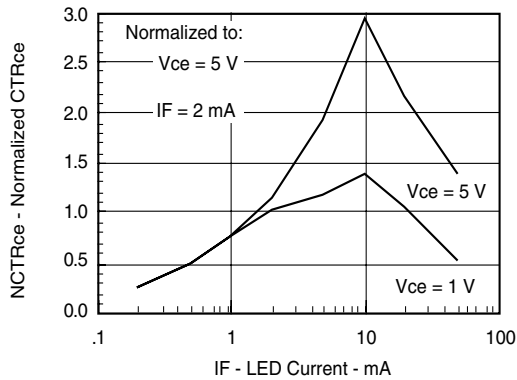
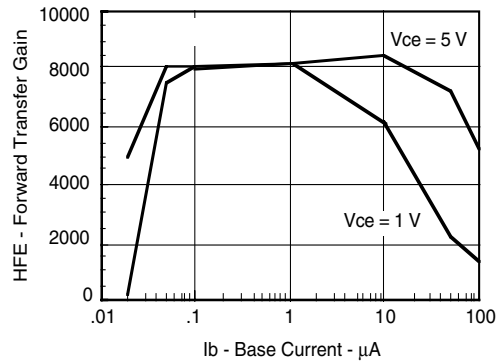


Figure 2. Normalized Non-saturated and Saturated  $CTR_{CE}$  vs. LED Current



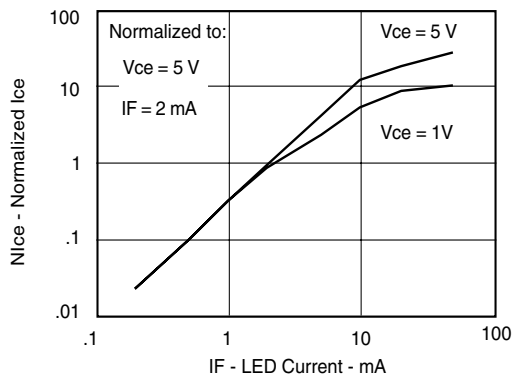
#755\_03

Figure 3. Normalized Non-saturated and Saturated  $CTR_{CE}$  vs. LED Current



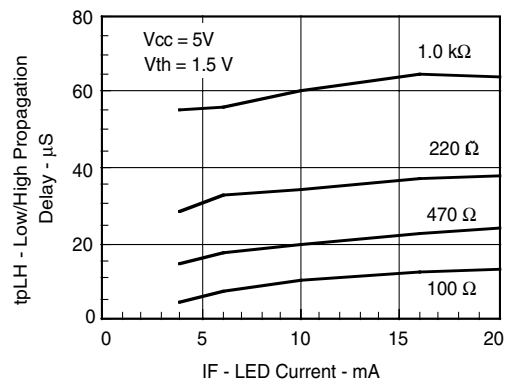
#755\_06

Figure 6. Non-Saturated and Saturated HFE vs. Base Current



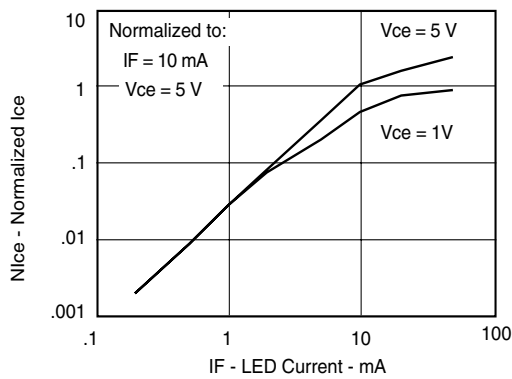
#755\_04

Figure 4. Normalized Non-Saturated and Saturated  $I_{CE}$  vs. LED Current



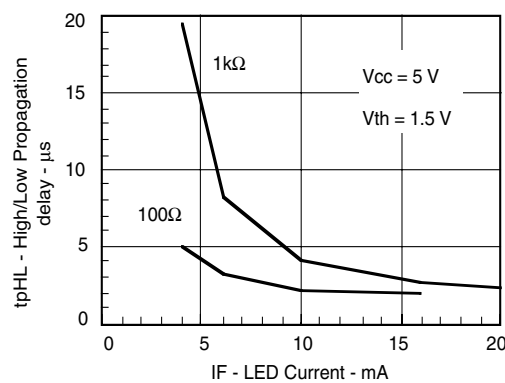
#755\_07

Figure 7. Low to High Propagation Delay vs. Collector Load Resistance and LED Current



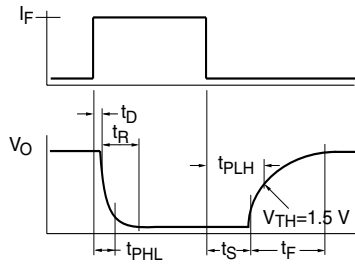
#755\_05

Figure 5. Normalized Non-Saturated and Saturated Collector-Emitter Current vs. LED Current



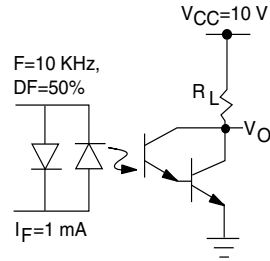
#755\_08

Figure 8. High to low Propagation Delay vs. Collector Load Resistance and LED Current



ii755\_09

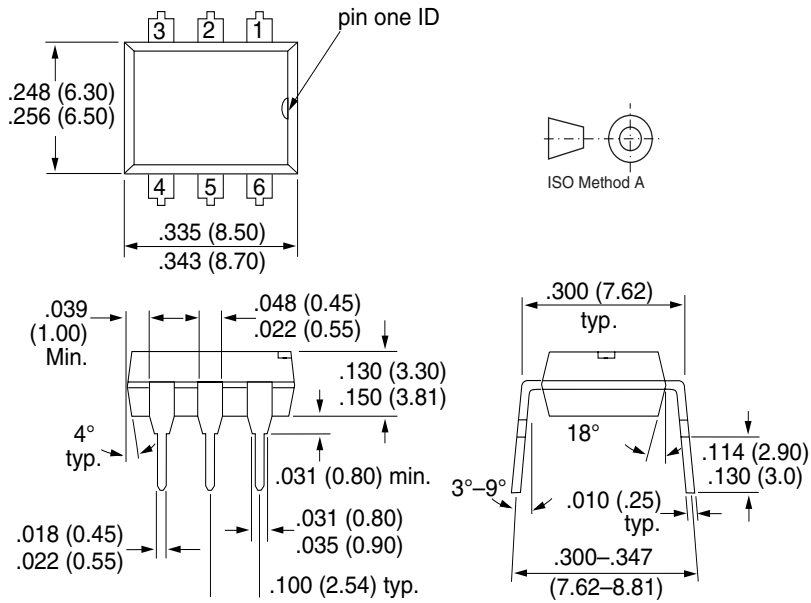
Figure 9. Switching Waveform



ii755\_10

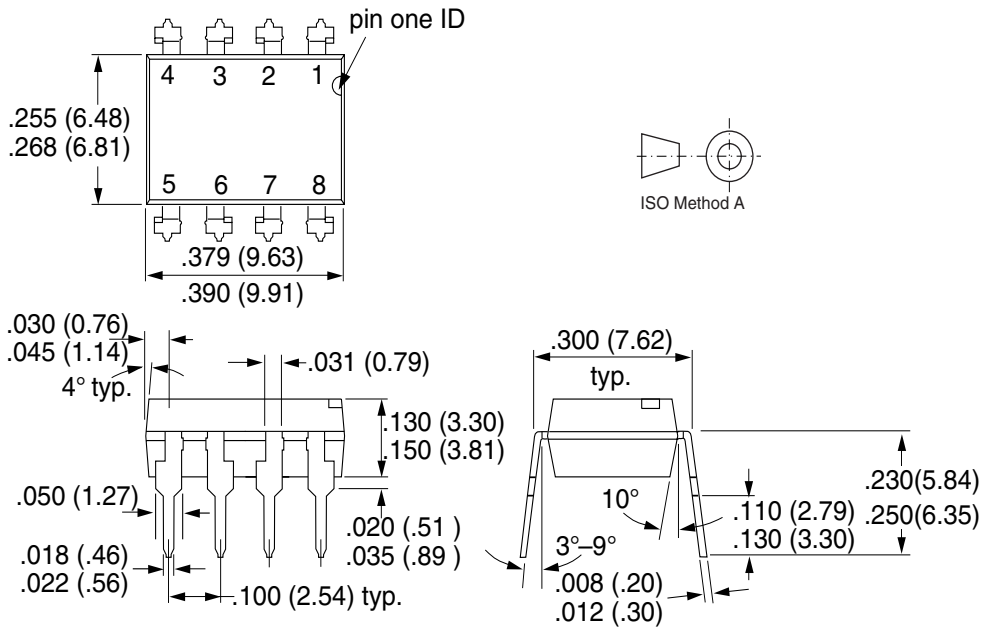
Figure 10. Normalized Non-Saturated and Saturated  $CTR_{CE}$  vs. LED Current

## Package Dimensions in Inches (mm)

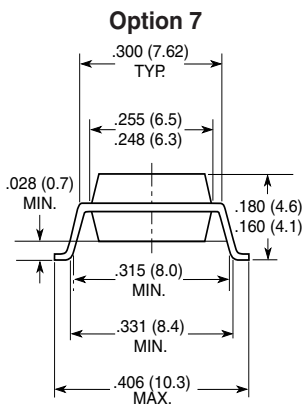


ii78004

## Package Dimensions in Inches (mm)



1178006



18447



## Ozone Depleting Substances Policy Statement

It is the policy of Vishay Semiconductor GmbH to

1. Meet all present and future national and international statutory requirements.
2. Regularly and continuously improve the performance of our products, processes, distribution and operating systems with respect to their impact on the health and safety of our employees and the public, as well as their impact on the environment.

It is particular concern to control or eliminate releases of those substances into the atmosphere which are known as ozone depleting substances (ODSs).

The Montreal Protocol (1987) and its London Amendments (1990) intend to severely restrict the use of ODSs and forbid their use within the next ten years. Various national and international initiatives are pressing for an earlier ban on these substances.

Vishay Semiconductor GmbH has been able to use its policy of continuous improvements to eliminate the use of ODSs listed in the following documents.

1. Annex A, B and list of transitional substances of the Montreal Protocol and the London Amendments respectively
2. Class I and II ozone depleting substances in the Clean Air Act Amendments of 1990 by the Environmental Protection Agency (EPA) in the USA
3. Council Decision 88/540/EEC and 91/690/EEC Annex A, B and C (transitional substances) respectively.

Vishay Semiconductor GmbH can certify that our semiconductors are not manufactured with ozone depleting substances and do not contain such substances.

We reserve the right to make changes to improve technical design and may do so without further notice.

Parameters can vary in different applications. All operating parameters must be validated for each customer application by the customer. Should the buyer use Vishay Semiconductors products for any unintended or unauthorized application, the buyer shall indemnify Vishay Semiconductors against all claims, costs, damages, and expenses, arising out of, directly or indirectly, any claim of personal damage, injury or death associated with such unintended or unauthorized use.

Vishay Semiconductor GmbH, P.O.B. 3535, D-74025 Heilbronn, Germany  
Telephone: 49 (0)7131 67 2831, Fax number: 49 (0)7131 67 2423



## Disclaimer

All product specifications and data are subject to change without notice.

Vishay Intertechnology, Inc., its affiliates, agents, and employees, and all persons acting on its or their behalf (collectively, "Vishay"), disclaim any and all liability for any errors, inaccuracies or incompleteness contained herein or in any other disclosure relating to any product.

Vishay disclaims any and all liability arising out of the use or application of any product described herein or of any information provided herein to the maximum extent permitted by law. The product specifications do not expand or otherwise modify Vishay's terms and conditions of purchase, including but not limited to the warranty expressed therein, which apply to these products.

No license, express or implied, by estoppel or otherwise, to any intellectual property rights is granted by this document or by any conduct of Vishay.

The products shown herein are not designed for use in medical, life-saving, or life-sustaining applications unless otherwise expressly indicated. Customers using or selling Vishay products not expressly indicated for use in such applications do so entirely at their own risk and agree to fully indemnify Vishay for any damages arising or resulting from such use or sale. Please contact authorized Vishay personnel to obtain written terms and conditions regarding products designed for such applications.

Product names and markings noted herein may be trademarks of their respective owners.