



Part Number
Key Word



Site Search

TOP

NEWS RELEASE

CONNECTOR SEARCH

CATALOG

SAMPLE

STOCK CHECK

[TOP](#) > [IL-Z-6P-S125T3-E](#)

Product List

| | |
|----------------------------------|-------------------------|
| Product Name | IL-Z-6P-S125T3-E |
| Series Name | IL-Z Series |
| Lead free | Yes |
| Contact pitch (mm) | 1.25 |
| Connector types | Pin header |
| Number of contacts | 6 |
| PCB side connector styles | Straight |
| PCB mounting method | Solder |
| SMT | No |
| Termination styles | - |
| Mating side contact finish | Tin |
| Mouting side contact length (mm) | 1.7 |

| | |
|-------------------|----------------------------------------------------------------------------------------------|
| Remarks | |
| Related Documents |  122Kbytes |
| Pair | |

Notice:

1. The values specified in this web site are only for reference. The products and their specifications are subject to change without notice. Contact our sales staff for further information before considering or ordering any of our products.
For purchase, a product specification must be agreed upon.
2. Users are requested to provide protection circuits and redundancy circuits to ensure safety of the equipment, and sufficiently review the suitability of JAE's products to the equipment.
3. The products presented in this web site are designed for the uses recommended below. We strongly suggest you contact our sales staff when considering use of any of the products in any other way than the recommended applications or for a specific use that requires an extremely high reliability.

(1) Applications that require consultation:

- (i) Please contact us if you are considering use involving a quality assurance program that you specify or that is peculiar to the industry, such as:
Automotive electrical components, train control, telecommunications devices (mainline), traffic light control, electric power, combustion control, fire prevention or security systems, disaster evention equipment, etc.

(ii) We may separately give you our support with a quality assurance program that you specify, when you think of a use such as :

Aviation or space equipment, submarine repeaters, nuclear power control systems, medical equipment for life support, etc.

(2) Recommended applications include:

Computers, office appliances, telecommunications devices (terminals, mobile units), measuring equipment, audiovisual equipment, home electric appliances, factory automation equipment, etc

69Z1Z0PS
 ('ON 0NIMVHO) 台 裝 理 図

| 版 数 REV. | 年 月 日 DATE | DCN NO. | 変 更 内 容 DESCRIPTION | 製 図 DR. | 担 当 CHK. | 査 閲 APPD. | 承 認 APPD. |
|-------------|---------------|---------|------------------------|------------|-------------|--------------|--------------|
| 7 | 19.Nov.2004 | 056307 | REDRAWN | H.SAKURADA | N.UCHIYAMA | Y.YAHIRO | K.Hirotomi |

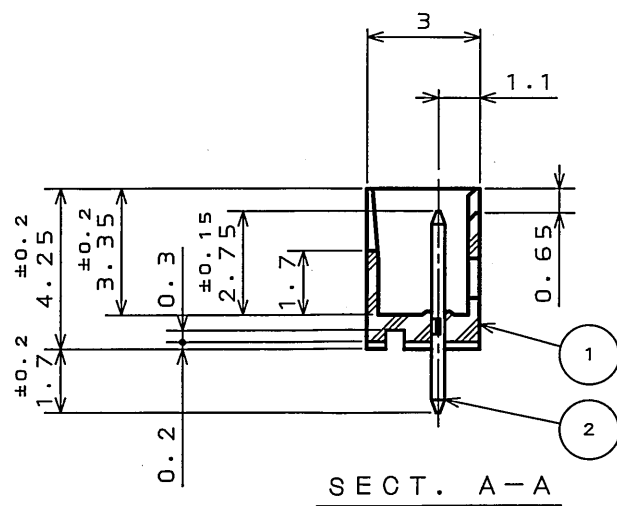
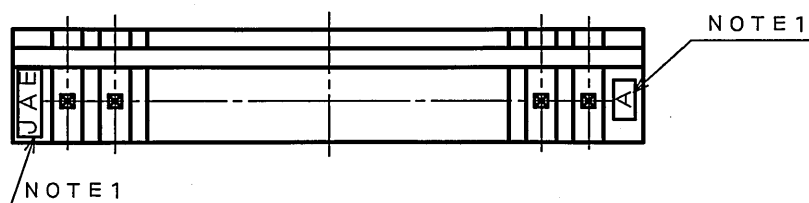
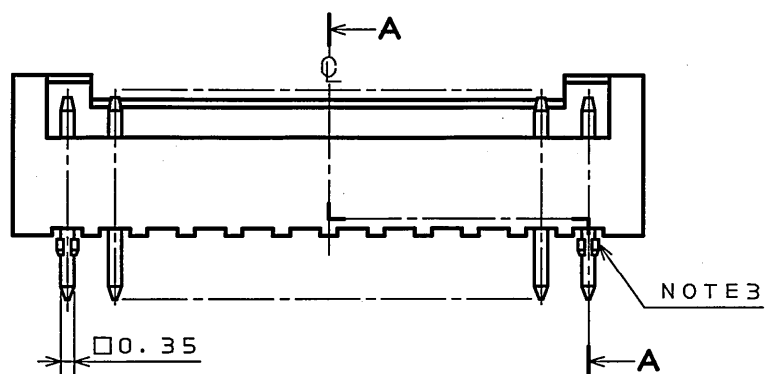
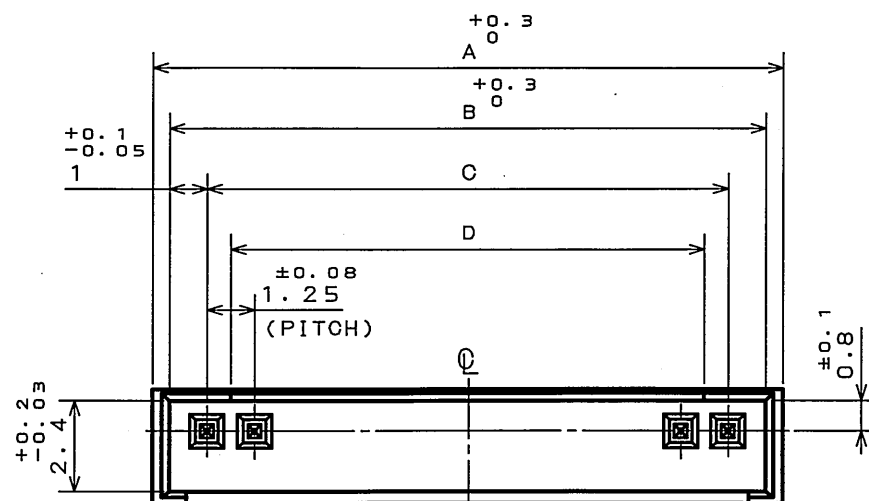


TABLE 1

| CONTACTS 芯数 | A $+0.3$ 0 | B $+0.3$ 0 | C ± 0.15 | D ± 0.25 |
|----------------|---------------|---------------|--------------|--------------|
| 2 | 4.15 | 3.25 | 1.25 | 1.7 |
| 3 | 5.4 | 4.5 | 2.5 | 1.7 |
| 4 | 6.65 | 5.75 | 3.75 | 2.5 |
| 5 | 7.9 | 7 | 5 | 3.75 |
| 6 | 9.15 | 8.25 | 6.25 | 5 |
| 7 | 10.4 | 9.5 | 7.5 | 6.25 |
| 8 | 11.65 | 10.75 | 8.75 | 7.5 |
| 9 | 12.9 | 12 | 10 | 8.75 |
| 10 | 14.15 | 13.25 | 11.25 | 10 |
| 11 | 15.4 | 14.5 | 12.5 | 11.25 |
| 12 | 16.65 | 15.75 | 13.75 | 12.5 |
| 13 | 17.9 | 17 | 15 | 13.75 |
| 14 | 19.15 | 18.25 | 16.25 | 15 |
| 15 | 20.4 | 19.5 | 17.5 | 16.25 |

DESIGNATION

命名法

| | | |
|------------------------------------------------|------------------|-----------------------------------------------------|
| SERIES シリーズ名 | IL-Z-*P-S125T3-E | DIP:1.7 DIP側長さ 1.7mm |
| NUMBER OF CONTACTS 芯数 | | APPLICABLE P.C.B. THICKNESS 適当基板厚さ (0.6mm~1.2mm) |
| CONTACT TYPE P:PINCONTACT コンタクト区分 P:ピンコンタクト | | TERMINATION 結線方式 (STRAIGHT THROUGH HOLE) |
| CONTACT ARRANGEMENT 配列 (SINGLE) | | PITCH 1.25 ピッチ (1.25mm) |

NOTE1. COMPANY LOGO "JAE" AND TOOLING MARK APPEARS IN RELIEF.
 NOTE2. APPLICABLE P.C.B. HOLE DIAMETER IS $\phi 0.6 \pm 0.03$.
 NOTE3. TWO TERMINALS AT EACH ENDS ARE KINKED.

注 1. 社標及び金型マークを沈み彫り浮き出しとする。
 2. 適用基板穴径は $\phi 0.6 \pm 0.03$ が望ましい。
 3. フォーミングは両端2ヶ所に設けること。

| | | | | | |
|------------------------|-----------------------------------------------------------|----------------------------------------------|--------------------------|-----------------------------------------------------------------|-------------------|
| 2 | CONTACT | TABLE1 | BRASS | TIN PLATING | |
| 1 | INSULATOR | 1 | 6-6Ny | | COLOR:RIGHT BROWN |
| 符号 NO. | 名 称 DESCRIPTION | 個 数 QTY. | 材 料 MATERIAL | 仕 上 FINISH | 備 考 REMARKS |
| 仕様書 (SPECIFICATION) | 第1版 (ORIGINAL DATE) 19.Feb.1987 | 尺 度 (SCALE) 5:1 | シ リ ー ス (SERIES) IL-Z | 日本航空電子工業株式会社 JAPAN AVIATION ELECTRONICS INDUSTRY, LTD. | |
| 公差 (GENERAL TOLERANCE) | 製 図 DR. 担 当 CHK. 査 閲 APPD. 承 認 APPD. | E.MURANO H.ENDO T.SUZUKI Y.ICHIMURA | | 名 称 (TITLE) IL-Z-*P-S125T3-E STRAIGHT PINHEADER | |
| 寸 法 (DIMENSION) | 角 度 (ANGLES) | 質 量 (MASS) | | 図 面 番 号 (DRAWING NO.) SJ021769 | |
| . ± 0.3 | X° \pm | ◎ | | 版 数 (REV.) 7 | |
| .X ± 0.2 | X°X' \pm | | | | |
| .XX ± 0.1 | | | | | |
| .XXX \pm | | | | | |

DOF-0-212E(03.08)

