



Part Number  
Key Word



Site Search

TOP

NEWS RELEASE

CONNECTOR SEARCH

CATALOG

SAMPLE

STOCK CHECK

[TOP](#) > [IL-Z-6P-S125L3-E](#)

## Product List

Product Name	<b>IL-Z-6P-S125L3-E</b>
Series Name	IL-Z Series
Lead free	Yes
Contact pitch (mm)	1.25
Connector types	Pin header
Number of contacts	6
PCB side connector styles	Right angle
PCB mounting method	Solder
SMT	No
Termination styles	-
Mating side contact finish	Tin
Mouting side contact length (mm)	1.7

Remarks	
Related Documents	 129Kbytes
Pair	

## Notice:

1. The values specified in this web site are only for reference. The products and their specifications are subject to change without notice. Contact our sales staff for further information before considering or ordering any of our products.  
For purchase, a product specification must be agreed upon.
2. Users are requested to provide protection circuits and redundancy circuits to ensure safety of the equipment, and sufficiently review the suitability of JAE's products to the equipment.
3. The products presented in this web site are designed for the uses recommended below. We strongly suggest you contact our sales staff when considering use of any of the products in any other way than the recommended applications or for a specific use that requires an extremely high reliability.

### (1) Applications that require consultation:

- (i) Please contact us if you are considering use involving a quality assurance program that you specify or that is peculiar to the industry, such as:  
Automotive electrical components, train control, telecommunications devices (mainline), traffic light control, electric power, combustion control, fire prevention or security systems, disaster evention equipment, etc.

(ii) We may separately give you our support with a quality assurance program that you specify, when you think of a use such as :

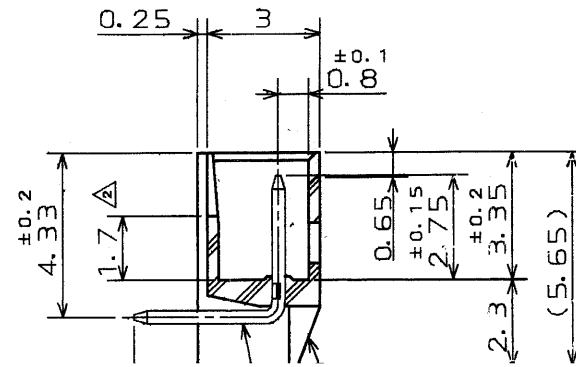
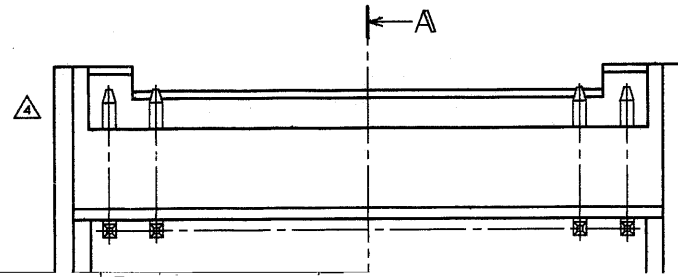
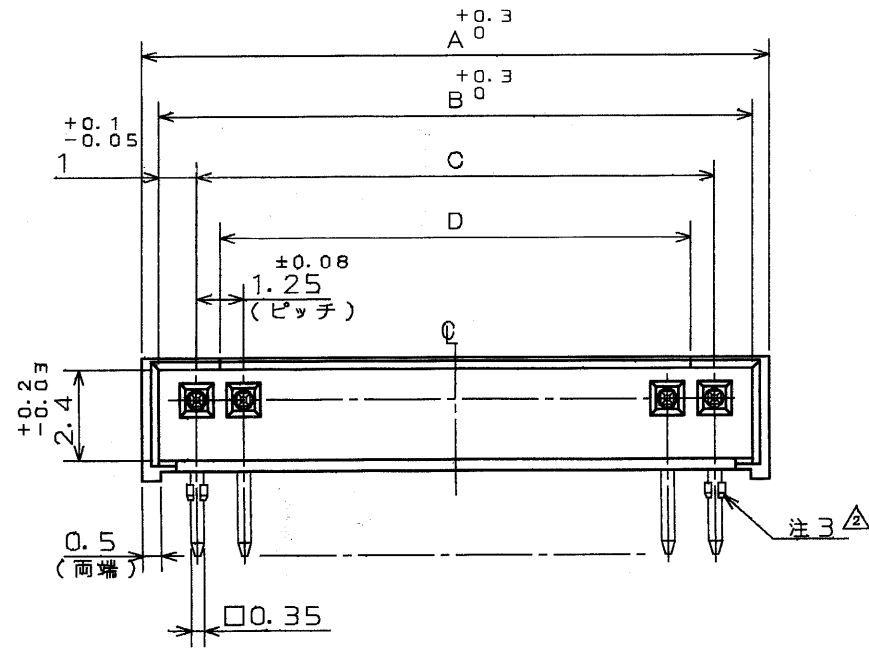
Aviation or space equipment, submarine repeaters, nuclear power control systems, medical equipment for life support, etc.

(2) Recommended applications include:

Computers, office appliances, telecommunications devices (terminals, mobile units), measuring equipment, audiovisual equipment, home electric appliances, factory automation equipment, etc

su021832

異図



版数	年月日	DCN NO.	詳細	製図	担当	査閲	承認
2	62. 3.19	21849	寸法変更, 他	小松	小菅	西野	藤野
3	90.1.18	26357	インシュレータ色相 "黒" 追加		鈴木	宮下	藤野
4	91. 4.22	28623	形状訂正	早川	鈴木	外	藤野

表 1

芯数	A <sup>+0.3</sup> <sub>0</sub>	B <sup>+0.3</sup> <sub>0</sub>	C <sup>±0.15</sup>	D <sup>±0.25</sup>
2	4.15	3.25	1.25	1.7
3	5.4	4.5	2.5	1.7
4	6.65	5.75	3.75	2.5
5	7.9	7	5	3.75
6	9.15	8.25	6.25	5
7	10.4	9.5	7.5	6.25
8	11.65	10.75	8.75	7.5
9	12.9	12	10	8.75
10	14.15	13.25	11.25	10
11	15.4	14.5	12.5	11.25
12	16.65	15.75	13.75	12.5
13	17.9	17	15	13.75
14	19.15	18.25	16.25	15
15	20.4	19.5	17.5	16.25

命名法