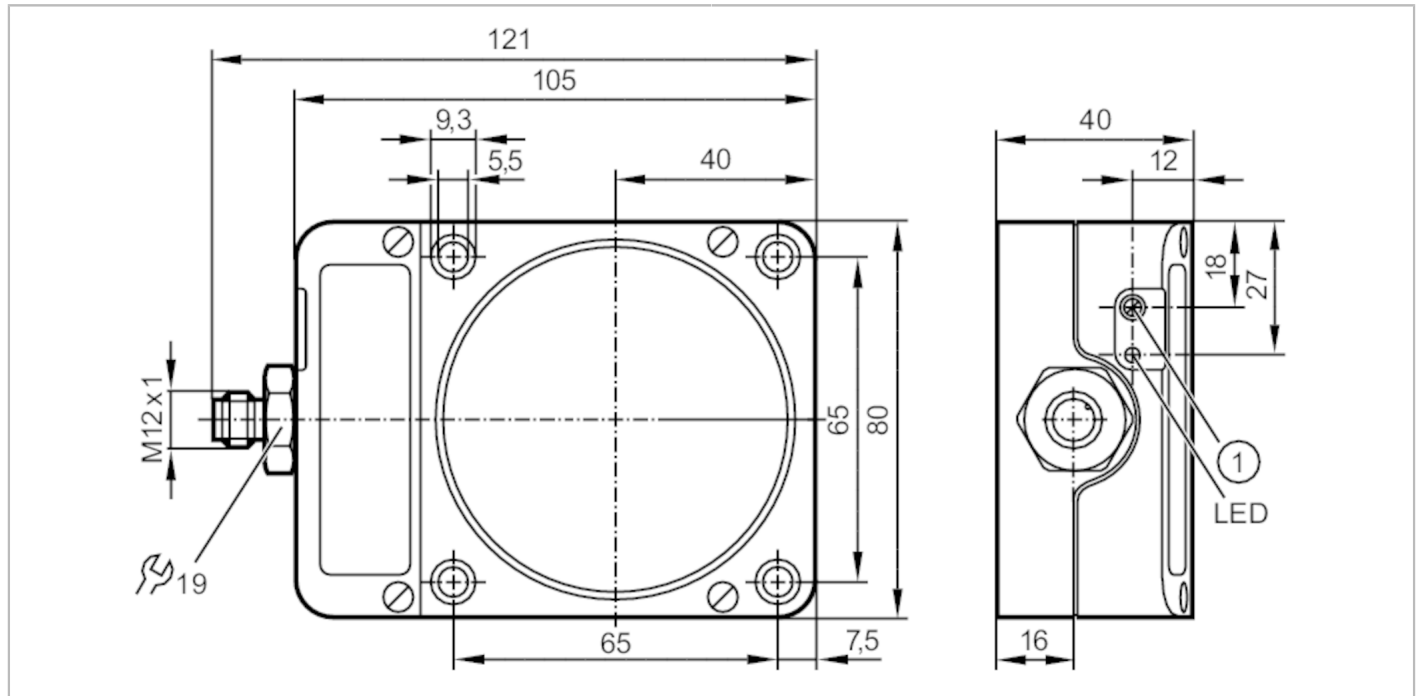


ID5046



Inductive sensor

IDE3060-FPKG/US-100-DPS



| Product characteristics | |
|--|--------------------------------------|
| Electrical design | PNP |
| Output function | normally open / closed; (selectable) |
| Sensing range [mm] | 20...60 |
| Housing | rectangular |
| Dimensions [mm] | 105 x 80 x 40 |
| Electrical data | |
| Operating voltage [V] | 10...36 DC |
| Current consumption [mA] | < 15 |
| Protection class | II |
| Reverse polarity protection | yes |
| Outputs | |
| Electrical design | PNP |
| Output function | normally open / closed; (selectable) |
| Max. voltage drop switching output DC [V] | 2.5 |
| Permanent current rating of switching output DC [mA] | 250 |
| Switching frequency DC [Hz] | 100 |
| Short-circuit protection | yes |
| Type of short-circuit protection | yes (non-latching) |
| Overload protection | yes |

ID5046



Inductive sensor

IDE3060-FPKG/US-100-DPS

| Monitoring range | | |
|-------------------------------|---------------------------|--|
| Sensing range | [mm] | 20...60 |
| Sensing range adjustable | | yes |
| Factory setting sensing range | [mm] | 60 |
| Real sensing range Sr | [mm] | 60 ± 10 % |
| Operating distance | [mm] | 0...48.6 |
| Accuracy / deviations | | |
| Correction factor | | steel: 1 / stainless steel: 0.7 / brass: 0.4 / aluminum: 0.3 / copper: 0.2 |
| Hysteresis | [% of Sr] | 1...15 |
| Switch-point drift | [% of Sr] | -10...10 |
| Operating conditions | | |
| Ambient temperature | [°C] | -25...80 |
| Protection | | IP 67 |
| Tests / approvals | | |
| EMC | EN 61000-4-2 ESD | - CD / 8 kV AD |
| | EN 61000-4-3 HF radiated | 3 V/m |
| | EN 61000-4-4 Burst | 2 kV |
| | EN 61000-4-5 Surge | 0,5 kV line to line, Ri: 2 Ohm |
| | EN 61000-4-6 HF conducted | 3 V |
| | EN 55011 | class B |
| MTTF | [years] | 1277 |
| UL approval | Ta | 0...40 °C |
| | Enclosure type | Type 1 |
| | voltage supply | Hazardous voltage |
| | File number UL | E174191 |
| Mechanical data | | |
| Weight | [g] | 436.5 |
| Housing | | rectangular |
| Mounting | | non-flush mountable |
| Dimensions | [mm] | 105 x 80 x 40 |
| Material | | PPE |
| Displays / operating elements | | |
| Display | Switching status | 1 x LED, yellow |
| Accessories | | |
| Accessories (supplied) | | screwdriver: 1 |
| Remarks | | |
| Remarks | | For the normally closed function, connect pin 3 (blue) to terminal 5 in the unit |
| Pack quantity | | 1 pcs. |
| Electrical connection - plug | | |
| Connector: 1 x M12 | | |

ID5046



Inductive sensor

IDE3060-FPKG/US-100-DPS



Connection

