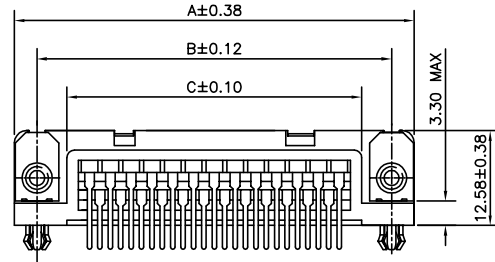
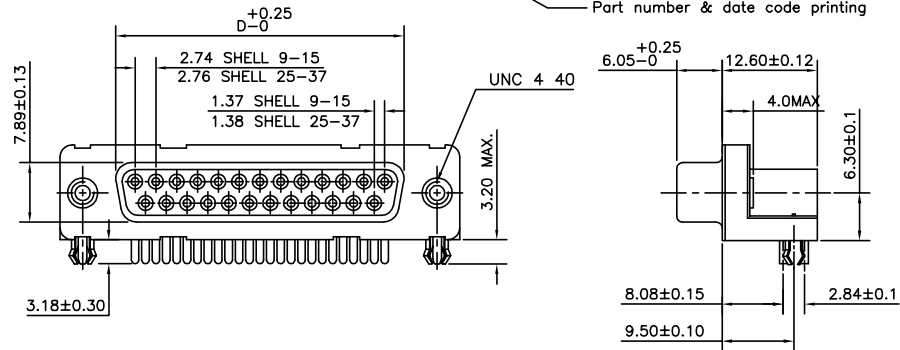
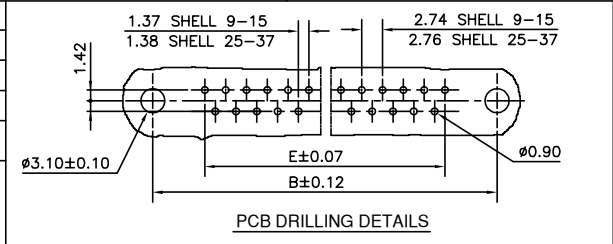


37	69.32	63.50	55.68	54.71	49.68
25	53.03	47.04	39.12	38.25	33.12
15	39.14	33.32	25.18	24.54	19.18
09	30.81	24.99	16.96	16.21	10.96
SHELL	A	B	C	D	E



**TECHNICAL SPECIFICATIONS**

- MATERIAL**
- SHELL : STEEL TIN/Zinc Cr 3 PLATED.
  - INSULATORS : SELF EXTINGUISHING BLACK POLYESTER UL CLASS 94V0. THE HOUSING WILL WITHSTAND EXPOSURE TO 260-265°C IF WE USE PROTECTIVE ADHESIVE (Type Kapton or Teflon) OR PROTECTIVE METALLIC DEVICE
  - CONTACTS : COPPER ALLOY
- PLATING**
- ACTIVE ZONE : GOLD OVER NICKEL
  - TERMINATION ZONE : TIN LEAD OVER NICKEL
  - FOR LEAD FREE PLATING : 2µMIN.MATTE TIN TOP OVER 1.27µ MIN.NICKEL UNDER PLATE(ON TERMINATION ZONE)
- METAL BRACKET**
- HARPOON : BRASS,TIN/Zinc Cr 3 PLATED.
  - CLINCH NUT : BRASS,TIN/Zinc Cr 3 PLATED.

**ELECTRICAL DATA**

- MAX.CURRENT RATING : 5A
- TEST VOLTAGE : 1000V
- RATED VOLTAGE : 300V
- CONTACT RESISTANCE : ≤ 25mΩ
- SHELL RESISTANCE : ≤ 5mΩ
- INSULATION RESISTANCE : ≥ 5000MΩ

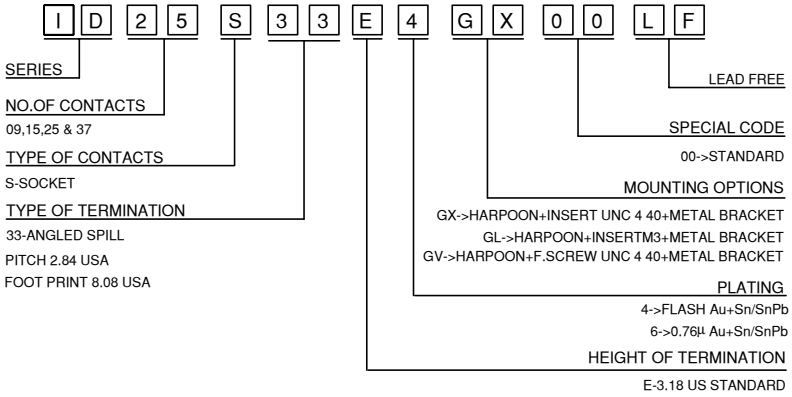
**ENVIRONMENTAL CHARACTERISTICS.**

- OPERATING TEMPERATURE RANGE : -55°C +125°C

**MECHANICAL CHARACTERISTICS**

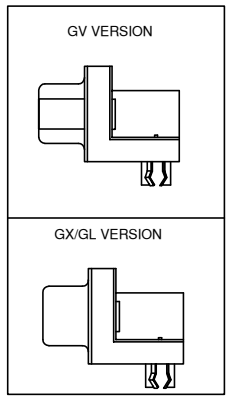
- MATING/UNMATING CYCLES (MIN) : 200 (FLASH Au); 500 (0.76µ Au)
- INSERTION/EXTRACTION FORCE PER CONTACT : 5 N Max./ 0.3 N Min.

**ORDERING INFORMATION**



"This LF product meets European Union Directives and other country regulations as described in GS-22-008"

The housing will withstand exposure to 260°C peak temperature for 3.5 seconds in a wave solder application with a 1.6mm minimum thick circuit board. Packaging as per GS-14-920



mat'l. code		surface		tolerance		projection		product family	
SEE NOTE 4		ISO 1302		ISO 406 ISO 1101				DELTA-D	
ltr	ecn no	dr	date	tolerances unless otherwise specified				title	
D	106-0074	GVJ	2006/06/08	angles	linear	.00±0.1		DELTA-D A/S FEMALE CONNECTOR	
E	109-0039	AS	2009/03/16	0°±1°		.000±.00X		(WITH ACCESSORIES)	
		dr	GEORGE.V.JOSEPH	1998/12/16		MM		dwg no	
		enrg	GEORGE.V.JOSEPH	1998/12/16		scale		sheet 1 of 1	
		chr	ANISH.SALAM	2009/03/16		-		size	
		appd	ANISH.SALAM	2009/03/16		-		A3	
sheet index		revision sheet	E	type Product Customer Drawing					
1		1							



FCIconnect.com

Copyright FCI