

PRODUCT FINDER

Reed Switches

Selection Guide

Application Notes

HYR-1003

HYR-1508

HYR-1531

HYR-1532

HYR-1552

HYR-1555

HYR-1559

HYR-2003-1

HYR-2003-2

HYR-2016

HYR-2034

NRS-701A

NRS-771

RD-7B

RD-7B-S002

RD-8B

RD-8N

RD-9A-S002

RD-9B

RD-18A-S001

RD-75AA

RD-76

Reed Relays

Passive Infrared Detectors

Photoelectric Beams

Opto Sensors

Proximity Sensors

Automotive Sensors

Level Sensors

Flow Sensors

Magnetic Contacts

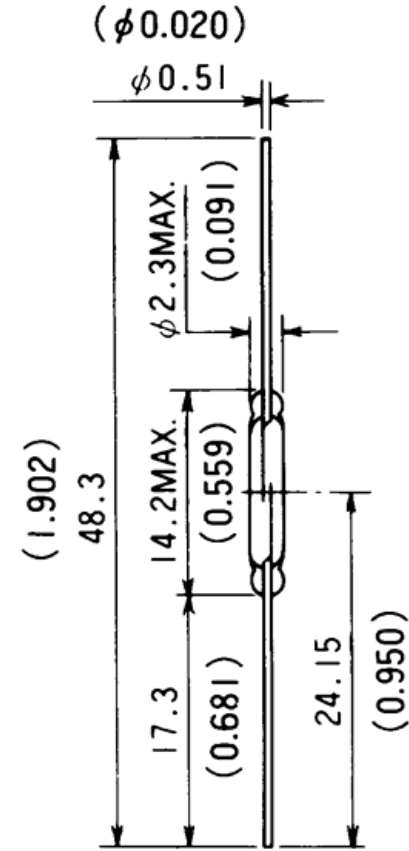
Video

Aleph HYR-1559 - High Voltage Breakdown Reed Switch

Specifications / Dimensions

Item	Value
Contact Form	1A
Contact Position ¹	C
Contact Material	Ruthenium ³
Max Contact Rating	10W
Max Switching Voltage	500VDC
Max Switching current	0.5A
Max Initial Contact Resistance	200m Ohm
Pull in Value (AT)	15-50
Mn. Drop out Value (AT)	5
Mn. Breakdown Voltage ²	1,500VDC
Max Contact Capacitance	0.4pF
Mn. Insulation Resistance	10 ¹⁰ Ohm
Typ. Resonant Frequency	4.8kHz
Electrical Life (Resistive loads)	10 ⁸ (10mVDC, 10µA) 5 X 10 ⁶ (250VDC, 10mA)
Features	High breakdown voltage

1. C: Center gap O: Off center gap
2. Breakdown voltage specifications are based on Pull-In sensitivity of 25 AT or higher. Contact ALEPH for information for switches with less than 25 AT sensitivity.
3. Ruthenium Oxide over Rhodium.



Test Coil - TC-0502

Number of Turns	5,000
Wire Gauge	AWG #40
Coil Resistance	420W

