



HX-SCE

TE Internal #: D87851-000

Ladder, Low Fire Hazard, 2:1 Shrink Ratio, Yellow, Markers per Sleeve 1, Length 50 mm [2 in], HX-SCE, Printable Tubing

[View on TE.com >](#)

Identification & Labeling > Printable Tubing > HX-SCE Low Fire Hazard Sleeves



Printable Tubing Type: **Ladder**

Printable Tubing Grade: **Low Fire Hazard**

Shrink Ratio: **2:1**

Primary Product Color: **Yellow**

Markers per Sleeve: **1**

[All HX-SCE Low Fire Hazard Sleeves \(53\)](#)

Features

Product Type Features

Printable Tubing Type	Ladder
Printable Tubing Grade	Low Fire Hazard

Body Features

Shrink Ratio	2:1
Primary Product Color	Yellow
Markers per Sleeve	1

Dimensions

Product Length	50 mm[2 in]
Expanded Inside Diameter (Min)	4.8 mm[.189 in]
Recovered Inside Diameter (Max)	2.36 mm[.09 in]
Compatible Cable Diameter Range	2.54 – 4.06 mm[.1 – .16 in]

Usage Conditions

Operating Temperature Range	-55 – 105 °C[-67 – 221 °F]
-----------------------------	----------------------------

Printer/Label Features

Printer Technology	Thermal Transfer
--------------------	------------------

Packaging Features

--	--



Packaging Quantity	1000
--------------------	------

Product Compliance

[For compliance documentation, visit the product page on TE.com>](#)

EU RoHS Directive 2011/65/EU	Compliant
EU ELV Directive 2000/53/EC	Compliant
China RoHS 2 Directive MIIT Order No 32, 2016	No Restricted Materials Above Threshold
EU REACH Regulation (EC) No. 1907/2006	Current ECHA Candidate List: JUNE 2024 (241) Candidate List Declared Against: JUNE 2024 (241) Does not contain REACH SVHC
Halogen Content	Low Halogen - Br, Cl, F, I < 900 ppm per homogenous material. Also BFR/CFR/PVC Free
Solder Process Capability	Not applicable for solder process capability

Product Compliance Disclaimer

This information is provided based on reasonable inquiry of our suppliers and represents our current actual knowledge based on the information they provided. This information is subject to change. The part numbers that TE has identified as EU RoHS compliant have a maximum concentration of 0.1% by weight in homogenous materials for lead, hexavalent chromium, mercury, PBB, PBDE, DBP, BBP, DEHP, DIBP, and 0.01% for cadmium, or qualify for an exemption to these limits as defined in the Annexes of Directive 2011/65/EU (RoHS2). Finished electrical and electronic equipment products will be CE marked as required by Directive 2011/65/EU. Components may not be CE marked. Additionally, the part numbers that TE has identified as EU ELV compliant have a maximum concentration of 0.1% by weight in homogenous materials for lead, hexavalent chromium, and mercury, and 0.01% for cadmium, or qualify for an exemption to these limits as defined in the Annexes of Directive 2000/53/EC (ELV). Regarding the REACH Regulation, the information TE provides on SVHC in articles for this part number is based on the latest European Chemicals Agency (ECHA) 'Guidance on requirements for substances in articles' posted at this URL: <https://echa.europa.eu/guidance-documents/guidance-on-reach>

Compatible Parts

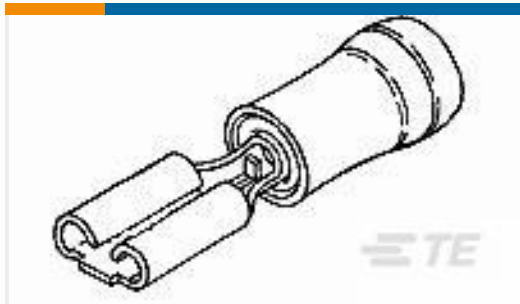
 <p>TE Part # 1-2186500-1 T3212-PRINTER</p>	 <p>TE Part # 1-2186503-1 T3224-SWARE-PRINTER</p>	 <p>TE Part # 1-2186501-1 T3212-SWARE-PRINTER</p>	 <p>TE Part # 1-2186502-1 T3224-PRINTER</p>
--	--	--	--

Also in the Series | HX-SCE



Printable Tubing(53)

Customers Also Bought



TE Part #165563-1
110 PIDG FASTON REC



TE Part #3-1879354-1
RR03 5% 5R6 AMMO



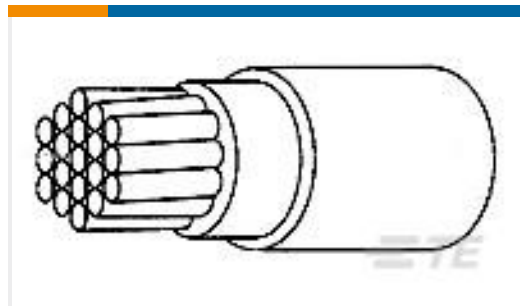
TE Part #0589390001
D-SCE-18-50-S1-4



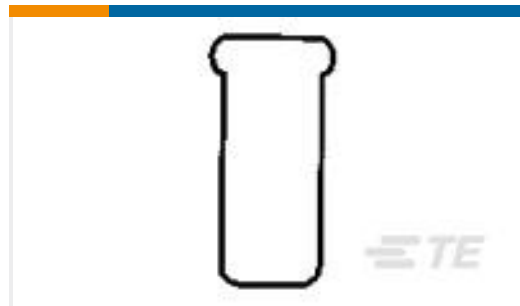
TE Part #F42475-000
HX-SCE-12.7-50-S1-4



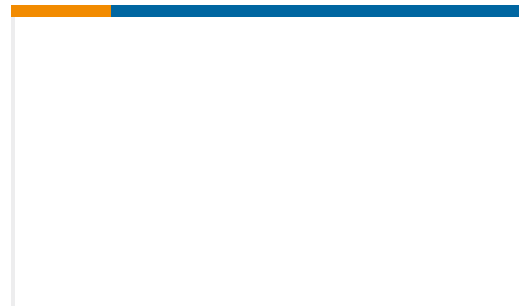
TE Part #587763-000
CWT-11-W122-5



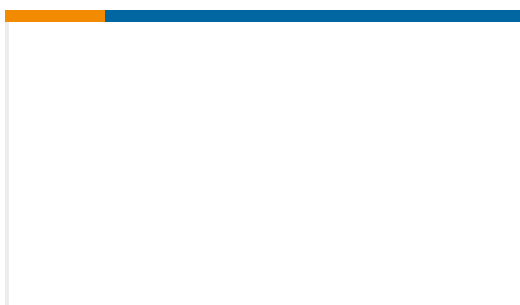
TE Part #6459633001
100G0111-0.50-9



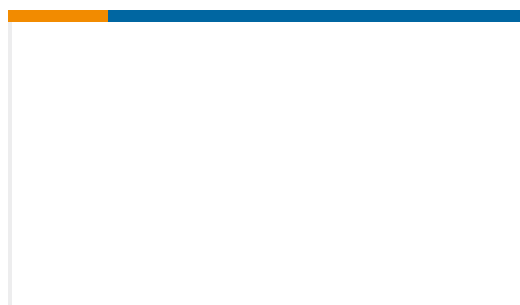
TE Part #328309
SPARE WIRE CAP, YEL, 12-10 AWG



TE Part #2-1991136-0
GROMMET STRIP SIZE 3 NATURAL



TE Part #EM5918-000
ZHD-SCE-1K-6.4-50-SS3-9



TE Part #CC3071-000
HX-SCE-1K-4.8-50-6

Documents

Datasheets & Catalog Pages

IDENTIFICATION SELECTION GUIDE

English

Technical Datasheet for HX-SCE Heat Shrink Marker Sleeves

English

Cable Identification Product Shelf Life

English



Product Specifications

Product Specification

English

IDENTIFICATION PRINTER PRODUCT RIBBON MATRIX

English

Instruction Sheets

Instruction Sheet (non U.S.)

English