

HTC-210M

Circuit board fuse clips for 5 mm x 20 mm fuses



Product Specifications

Part Number	Ordering code BK option	Ordering code BK1 option	Current rating maximum (A)	Clip material	Clip plating
HTC-210M	BK-HTC-210M	BK1-HTC-210M	15	Brass	Sn

Environmental Data

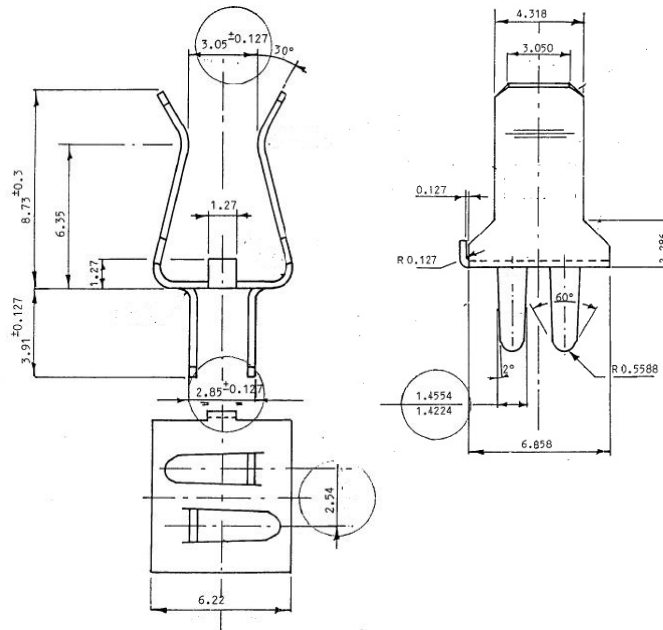
- Storage temperature range :
-10 °C to +125 °C
- Normal operating temperature :
+23 °C ±5 °C

Ordering

- Use ordering code to order.

Packaging prefix

- BK- (100 parts per cardboard shelf, 1,000 parts per case)
- BK1- (1000 parts per cardboard shelf, 10,000 parts per case)



Tolerance unless otherwise stated

- Decimal Place ±0.254
- Decimal Place ±0.127
- Decimal Place +0.076/-0.051

Life Support Policy: Eaton does not authorize the use of any of its products for use in life support devices or systems without the express written approval of an officer of the Company. Life support systems are devices which support or sustain life, and whose failure to perform, when properly used in accordance with instructions for use provided in the labeling, can be reasonably expected to result in significant injury to the user.

Eaton reserves the right, without notice, to change design or construction of any products and to discontinue or limit distribution of any products. Eaton also reserves the right to change or update, without notice, any technical information contained in this bulletin.

Eaton
Electronics Division
 1000 Eaton Boulevard
 Cleveland, OH 44122
 United States
www.eaton.com/elx

© 2016 Eaton
 All Rights Reserved
 Publication No. 10561 NR
 June 2016

Eaton is a registered trademark

All other trademarks are property of their respective owners