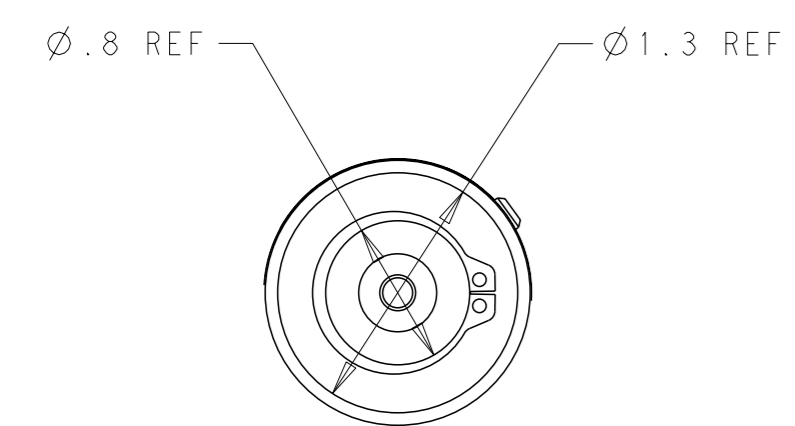
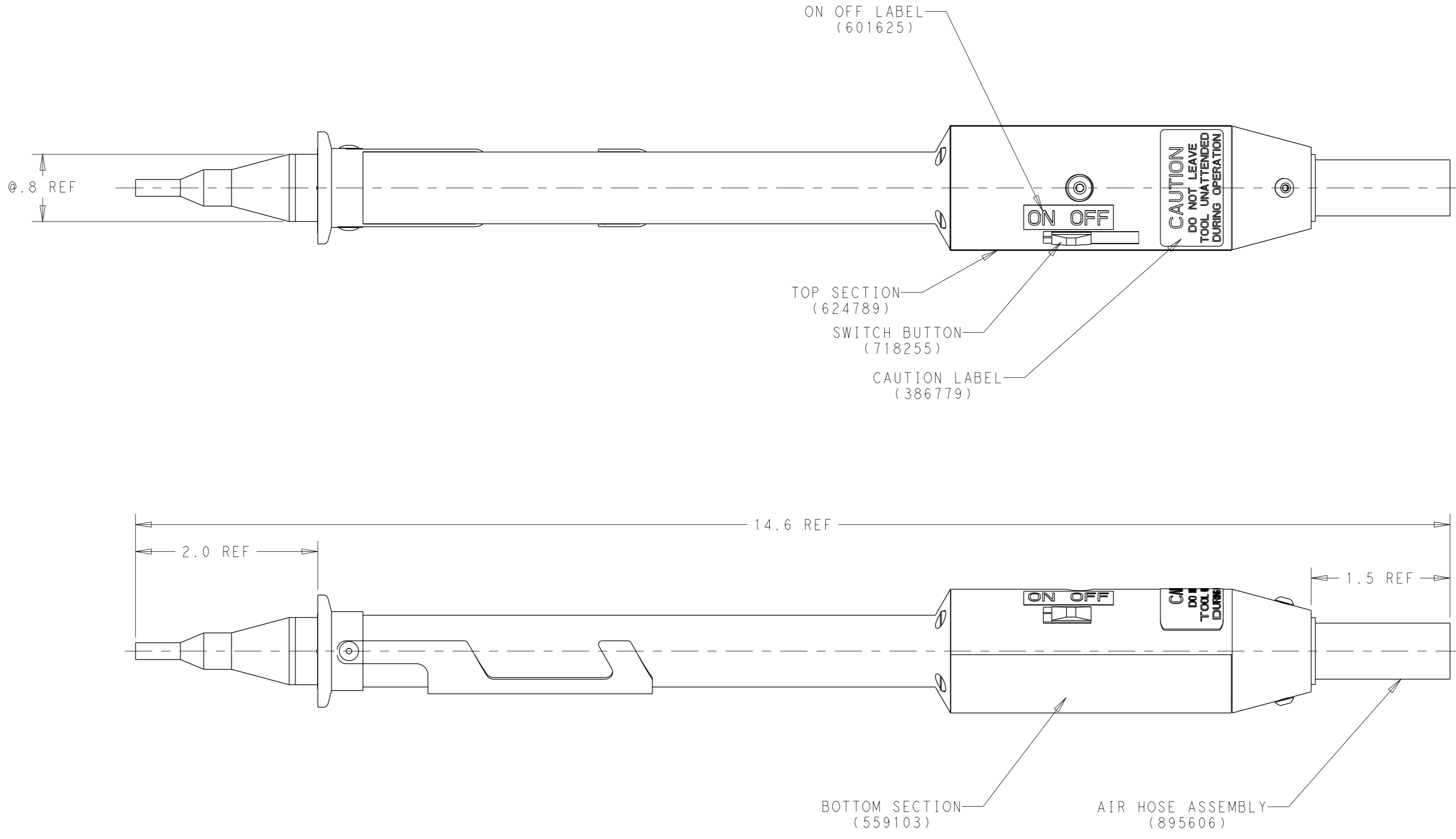


THIS DRAWING IS UNPUBLISHED. RELEASED FOR PUBLICATION. ALL RIGHTS RESERVED. COPYRIGHT © 2015 TE Connectivity

REVISIONS				
P	LT#	DESCRIPTION	DATE	OWN / APVD
A		REVISED PER ECO-15-018245	21DEC2015	SG / HS



HEAT GUN / HANDLE ASSY REPLACEMENT KIT (115VAC)	980123-000
DESCRIPTION	PART NO



THIS DRAWING IS A CONTROLLED DOCUMENT.		OWN S. GOWDA 21DEC2015
DIMENSIONS: INCHES		CHK N. NAGAR 21DEC2015
TOLERANCES UNLESS OTHERWISE SPECIFIED:		APVD H. SMITH 21DEC2015
0 PLC ±	1 PLC ±	PRODUCT SPEC
2 PLC ±	3 PLC ±	APPLICATION SPEC
4 PLC ±	ANGLES ±	FINISH ±
MATERIAL	WEIGHT	CUSTOMER DRAWING

NAME	HEAT GUN / HANDLE ASSY REPLACEMENT KIT (115VAC)
SIZE	A1
CAGE CODE	-
DRAWING NO	HT-900A-32
RESTRICTED TO	-
SCALE	NTS
SHEET	1 OF 1
REV	A