

# Twist Module Cooler 40W LED Heat Sink

**This LED Heatsink is part of the Aavid scalable LED portfolio.**

**Future proof** – Designed with the rapidly evolving light engine industry in mind, thermal performance can be easily increased or decreased without a luminaire redesign by adding or removing a SynJet Cooler

**Flexibility** – Configure to order luminaire production process, use heatsinks for low lumen applications and the SynJet Cooler with heatsink for higher lumen versions

**Freedom** – Compatible with most major light engines so thermal solutions and mechanical interfaces do not have to be redesigned when changing light engines

**Fast** – In stock and ready for overnight delivery, worldwide



## Specifications

### Thermal<sup>1</sup>

Thermal Wattage	Heatsink $\Theta_{s-a}$	Heat Sink $T_{Rise\ Above\ Ambient}$
10 W	2.6 (°C/W)	26 (°C)
16 W	2.3 (°C/W)	37 (°C)
22 W	2.2 (°C/W)	49 (°C)

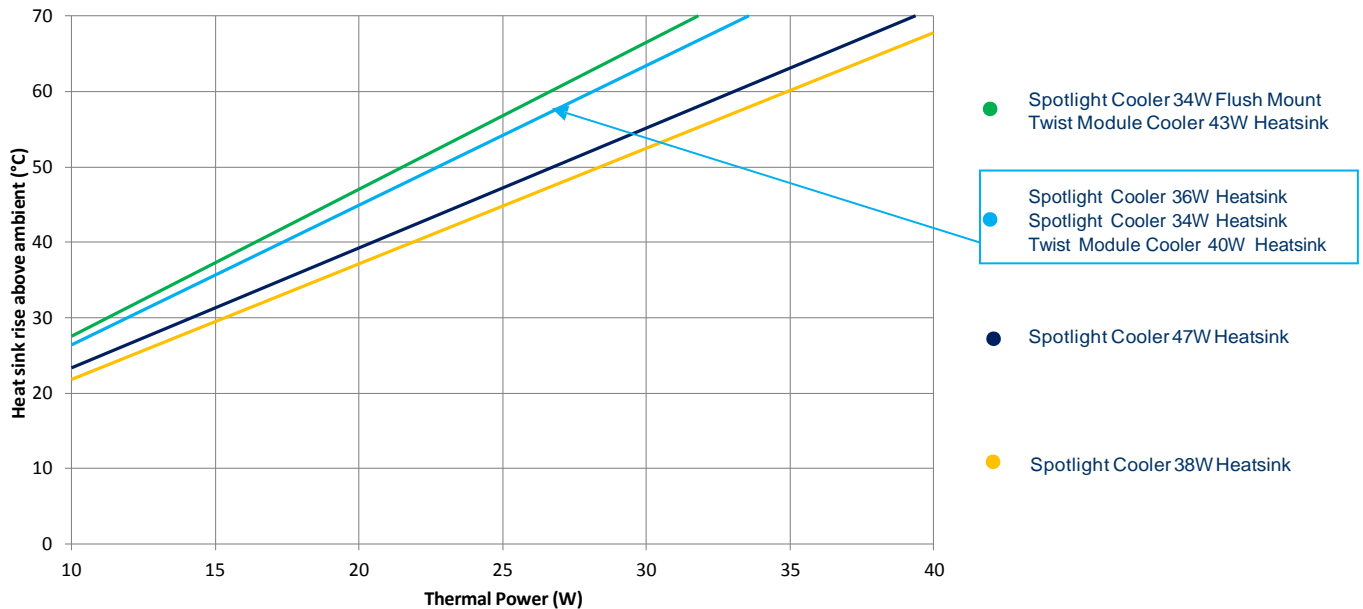
### Mechanical

<b>Material</b>	ADC6 Al Cast
<b>Finish</b>	Black Ecoat
<b>Weight</b>	235g
<b>Regulatory</b>	RoHS

Size
Diameter: 95 mm
Height: 39 mm

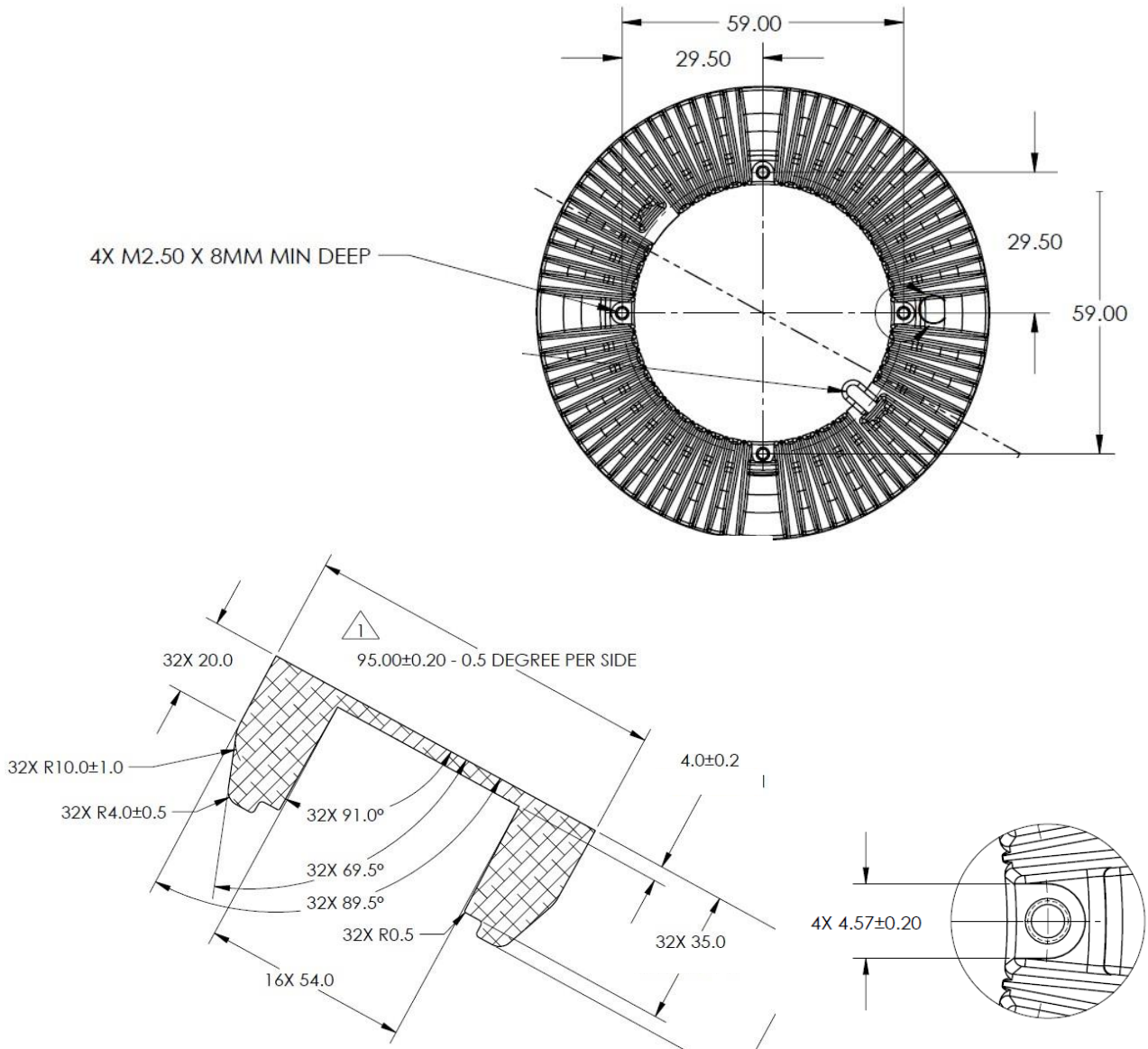
The chart below summarizes the thermal performance of all round LED heatsink solutions with diameters from 75 to 100 mm.

Heatsink Rise Above Ambient vs. Thermal Power  
Round Heatsinks Diameter 75 to 100 mm



<sup>1</sup> All values are typical at 25°C unless otherwise stated.

<sup>2</sup> Thermal resistance values are given as reference only and are measured in free air without airflow obstructions. Thermal resistance is measured from the bottom middle of the heat sink to ambient air, with a heat source of 11 cm<sup>2</sup>. Actual thermal performance may vary by application and final product design should be tested to assure proper thermal performance.

**Mechanical – LED Heatsink (Configurable version shown)**


All dimensions are nominal and in mm unless otherwise stated. See product drawings for more detail.

**Part Numbers**

Part Number	Description	Notes
HP30S-CALBL-001	LED Heatsink, 40W, PAR30 Style, Configurable, Black	Contact sales for other heatsink options
HP30S-CALBL-002	LED Heatsink, 40W, Twist Module Cooler, Fortimo Twistable, Zhaga B2, Black	Contact sales for other heatsink options

Aavid reserves the right to make changes to the products or information contained herein without notice. No liability is assumed as a result of their use or applications. For additional information, please contact Aavid directly.