



Main

| | |
|---------------------------|----------------------------|
| Range of product | Harmony ST6 & STW6 |
| Product or component type | Touch panel screen |
| Software designation | Web interface for operator |
| Processor name | ARM Cortex-A8 |

Complementary

| | |
|----------------------------|--|
| Display size | 7 inch |
| Display type | Colour TFT LCD |
| Display colour | 16 million colours |
| Display resolution | 800 x 480 pixels WVGA |
| Touch panel | Single touch analogue resistive |
| Backlight lifespan | 50000 hours white |
| Brightness | 16 levels |
| Character font | ASCII ASCII (European characters) Katakana |
| [Us] rated supply voltage | 24 V DC +/- 20 % |
| Inrush current | 30 A |
| Local signalling | Status LED green, steady offline Status LED green, steady operating Status LED green, flashing operating Status LED green, faded stand-by Status LED orange, flashing software starting up Status LED red, steady power supply (ON) Status LED red, flashing operating Status LED red, off power supply (OFF) |
| Power consumption in W | 9 W |
| Processor frequency | 800 MHz |
| Port Ethernet | 10/100BASE |
| Memory description | Device memory 512 MB User data memory 512 MB Backup memory 128 kB |
| Integrated connection type | 1 USB 2.0 type Aback 1 USB 2.0 type micro Bback 2 Ethernet - female RJ45bottom |
| Supply | External supply |
| Realtime clock | Built-in 0...50 °C Built-in 10...90 % RH |
| Fixing mode | By 4 screws 1.6...5 mm thick panel UL 61010-2-201 By 4 screws EN 61131-2 By 4 screws IEC 61000-6-2 |
| Enclosure material | PC |
| Front material | Aluminium |
| Marking | CE |
| Cut-out dimensions | 190 x 135 mm panel cut dimension |

| | |
|---------------|----------------------|
| Height | 6.02 in (153 mm) |
| Maximum Width | 8.19 in (208 mm) |
| Depth | 1.77 in (45 mm) |
| Net Weight | 1.76 lb(US) (0.8 kg) |

Environment

| | |
|---------------------------------------|--|
| Immunity to microbreaks | 5 ms |
| Standards | EN 61000-6-4 EN 61000-6-2 EN 61131-2 UL 61010-2-201 CSA C22.2 No 61010-2-201 |
| Product certifications | CSA CE |
| Directives | 2014/35/EU - low voltage directive 2014/30/EU - electromagnetic compatibility |
| Ambient air temperature for operation | 32...122 °F (0...50 °C) |
| Ambient air temperature for storage | -4...140 °F (-20...60 °C) |
| Relative humidity | 10...90 % non-condensing |
| Operating altitude | 6561.68 ft (2000 m) |
| IP degree of protection | IP20 IEC 61131-2 rear panel) IP65 IEC 61131-2 front panel) |
| NEMA degree of protection | NEMA 4 front panel (indoor use) NEMA 13 front panel (in enclosure) |
| Shock resistance | 147 m/s ² 11 ms X, Y, Z directions for 3 times)EN/IEC 61131-2 |
| Vibration resistance | +/- 3.5 mm 5...9 Hz)X, Y, Z directions for 10 cycles (approx. 100 min) EN/IEC 61131-2 9.8 m/s ² 9...150 Hz) |
| Electromagnetic compatibility | Electrical fast transient/burst immunity test 2 kV power ports) IEC 61000-4-4 Electrical fast transient/burst immunity test 1 kV signal ports) Electrostatic discharge immunity test 6 kV contact discharge) EN/IEC 61000-4-2 level 3 Electrostatic discharge immunity test 8 kV air discharge) |

Ordering and shipping details

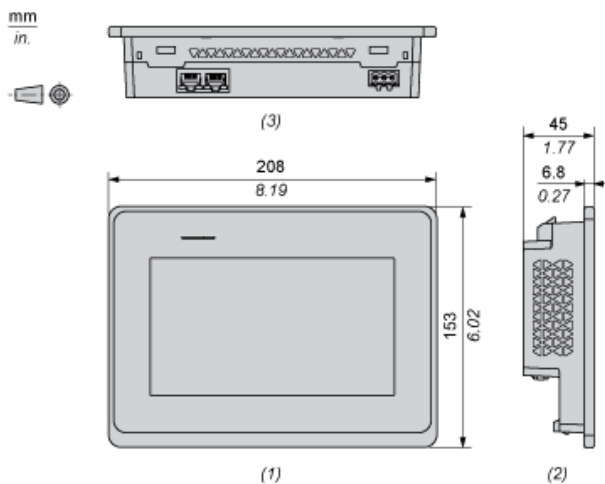
| | |
|-----------------------|---------------------------|
| Category | 22565 - HARMONY BASIC HMI |
| Discount Schedule | MC2 |
| GTIN | 00785901428374 |
| Nbr. of units in pkg. | 1 |
| Package weight(Lbs) | 1 lb(US) (0.45 kg) |
| Returnability | No |
| Country of origin | US |

Offer Sustainability

| | |
|----------------------------|---|
| Sustainable offer status | Green Premium product |
| California proposition 65 | WARNING: This product can expose you to chemicals including: Lead and lead compounds, which is known to the State of California to cause cancer and birth defects or other reproductive harm. For more information go to www.P65Warnings.ca.gov |
| REACH Regulation | REACH Declaration |
| EU RoHS Directive | Compliant EU RoHS Declaration |
| Mercury free | Yes |
| RoHS exemption information | Yes |
| China RoHS Regulation | China RoHS Declaration |
| Environmental Disclosure | Product Environmental Profile |
| Circularity Profile | End Of Life Information |
| WEEE | The product must be disposed on European Union markets following specific waste collection and never end up in rubbish bins. |

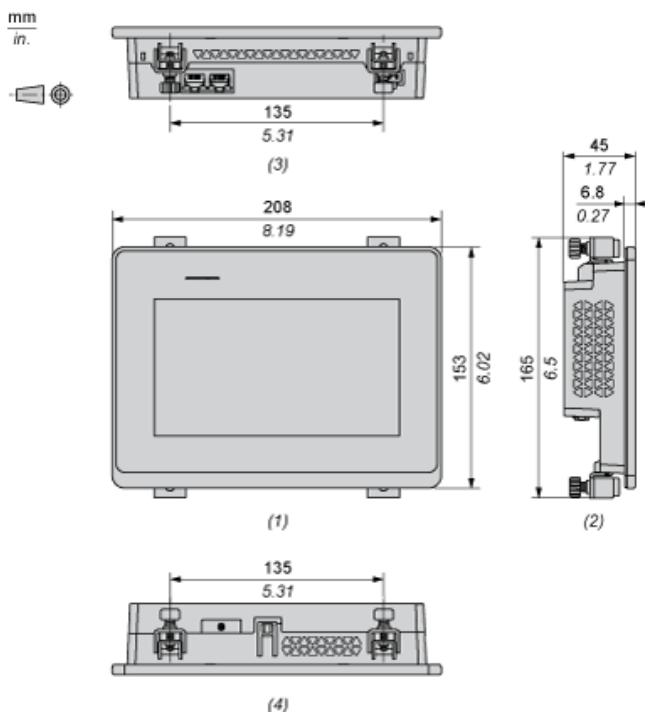
Dimensions

External Dimensions



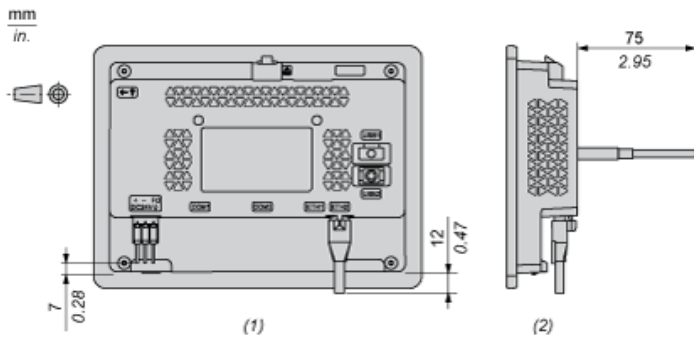
- (1) : Front
- (2) : Left
- (3) : Bottom

Dimensions with Installation Fasteners



- (1) : Front
- (2) : Left
- (3) : Bottom
- (4) : Top

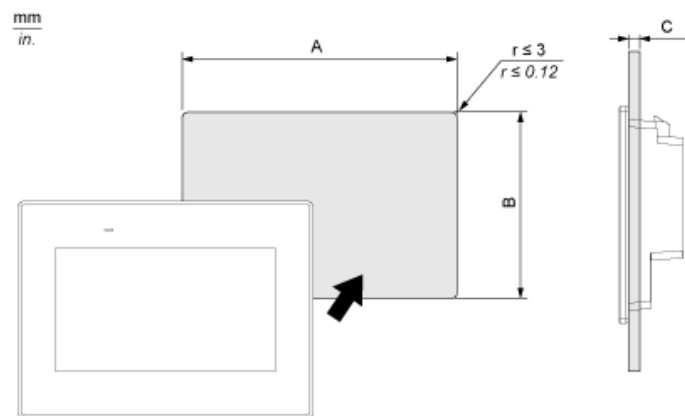
Dimensions with Cables



- (1) : Rear
- (2) : Right

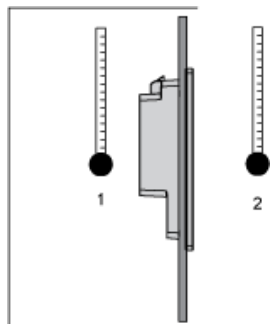
Mounting

Panel Cut Dimensions

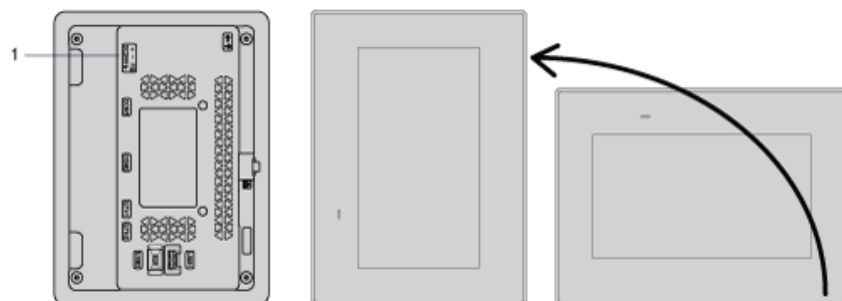


| A | | B | | C | |
|--------------|------------------|--------------|------------------|---------|------------|
| mm | in. | mm | in. | mm | in. |
| 190 (+1, -0) | 7.48 (+0.04, -0) | 135 (+1, -0) | 5.31 (+0.04, -0) | 1.6...5 | 0.06...0.2 |

Installation Requirements

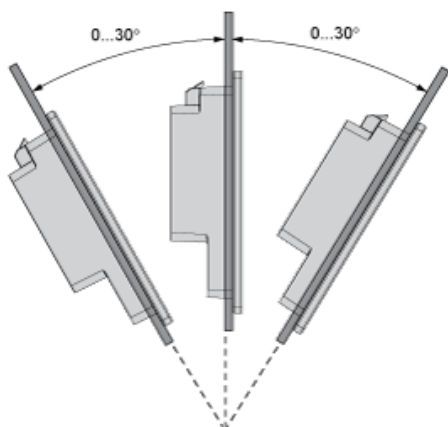


- 1 : Internal temperature
- 2 : External temperature



- 1 : Power connector

Mounting Angle



Clearance

