

Product availability: Stock - Normally stocked in distribution facility



### Main

Range of product	Harmony GTU
Product or component type	Advanced touchscreen panel
Terminal type	Touchscreen display

### Complementary

Pixel resolution	1280 x 800
Touchscreen resolution	1280 x 800
[Us] rated supply voltage	12...24 V DC power supply
Supply voltage limits	10.8...28.8 V
Power consumption in W	6.5 W
Display size	10.1 inch
Display type	Colour TFT LCD
Display resolution	1280 x 800 pixels WVGA
Display colour	262144 colors
Backlight lifespan	50000 hours
Touch panel	Single touch analogue resistive
Type of installation	Indoor installation
Type of cooling	Natural convection
Inrush current	30 A
Cut-out dimensions	255 (+ 1/- 0) x 185 (+ 1/- 0) mm
Width	10.57 in (268.5 mm)
Height	7.81 in (198.5 mm)
Depth	2.64 in (67 mm)
Net weight	5.51 lb(US) (2.5 kg)

### Environment

IP degree of protection	Front panel IP66 Front panel IP67
NEMA degree of protection	NEMA 4X front panel
Standards	UL 508 ANSI/ISA 12-12-01 Class I division 2 CSA C22.2 No 213 CSA C22.2 No 142 IEC 61132-2
Product certifications	RCM CULus KC CE
Ambient air temperature for operation	32...140 °F (0...60 °C) EN 61131-2
Ambient air temperature for storage	-4...140 °F (-20...60 °C)
Pollution degree	2

Relative humidity	10...90 % non-condensing
Operating altitude	6561.68 ft (2000 m)
Vibration resistance	3.5 mm constant amplitude 5...9 Hz) EN/IEC 61131-2 9.8 m/s <sup>2</sup> 9...150 Hz) EN/IEC 61131-2
Shock resistance	147 m/s <sup>2</sup> EN/IEC 61131-2
Electromagnetic compatibility	Electrostatic discharge immunity testlevel 3 EN/IEC 61000-4-2

### Ordering and shipping details

Category	22567 - MAGELIS HMI GTU
Discount Schedule	MC2
GTIN	00785901981022
Package weight(Lbs)	4.11 kg (9.06 lb(US))
Returnability	Yes
Country of origin	CN

### Offer Sustainability

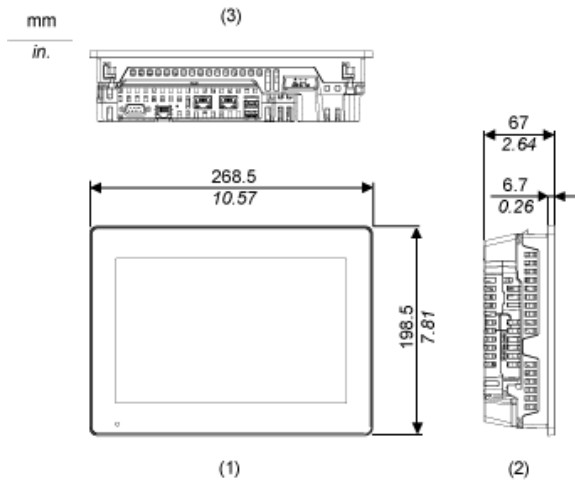
Sustainable offer status	Green Premium product
REACH Regulation	<a href="#">REACH Declaration</a>
REACH free of SVHC	Yes
EU RoHS Directive	Pro-active compliance (Product out of EU RoHS legal scope) <a href="#">EU RoHS Declaration</a>
Mercury free	Yes
RoHS exemption information	<a href="#">Yes</a>
China RoHS Regulation	<a href="#">China RoHS Declaration</a>
Environmental Disclosure	<a href="#">Product Environmental Profile</a>
Circularity Profile	<a href="#">End Of Life Information</a>
WEEE	The product must be disposed on European Union markets following specific waste collection and never end up in rubbish bins.

### Contractual warranty

Warranty	18 months
----------	-----------

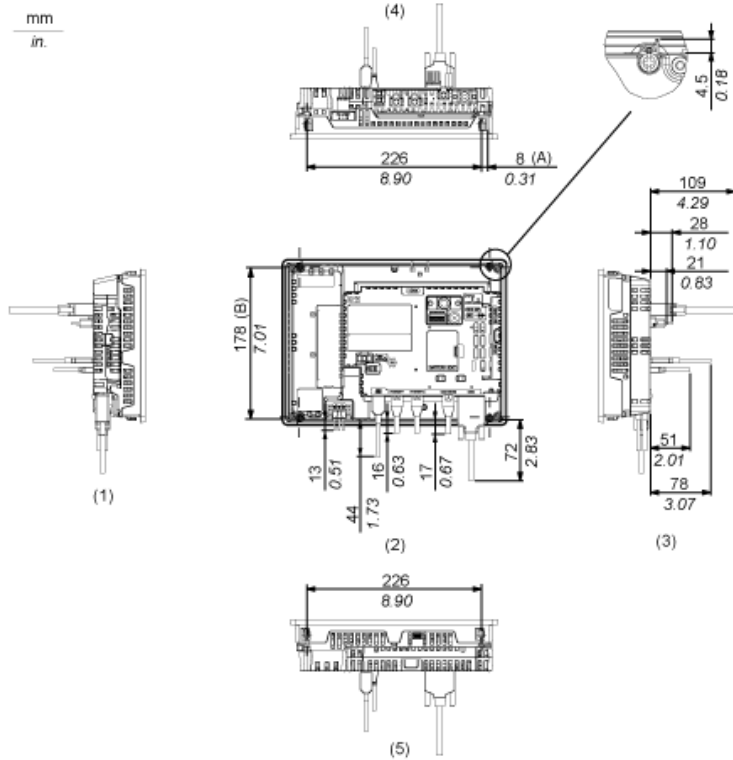
External Dimensions

Display Unit with Box Module



- 1 Front
- 2 Left
- 3 Bottom

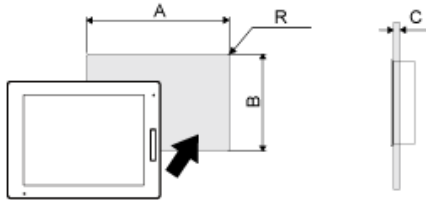
Installation with Installation Fasteners and Dimensions with Cables



- (A) Rotation area of the fastener
- (B) Pitch of the center of installation fastener screws
- 1 Right
- 2 Front
- 3 Left
- 4 Bottom
- 5 Top

Mounting

Panel Cut Dimensions



Dimensions in mm

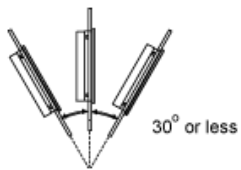
A	B	C	R
255 (+1/-0)	185 (+1/-0)	1.6...5	3 max.

Dimensions in in.

A	B	C	R
10.04 (+0.04/-0)	7.28 (+0.04/-0)	0.06...0.2	0.12 max.

Installation Requirements

Mounting Angle



When installing this product in a slanted position with an incline more than 30°, the ambient temperature must not exceed 40 °C (104 °F). You may need to use forced air cooling (fan, A/C) to ensure the ambient operating temperature is 40 °C or less (104 °F or less).

Clearance

