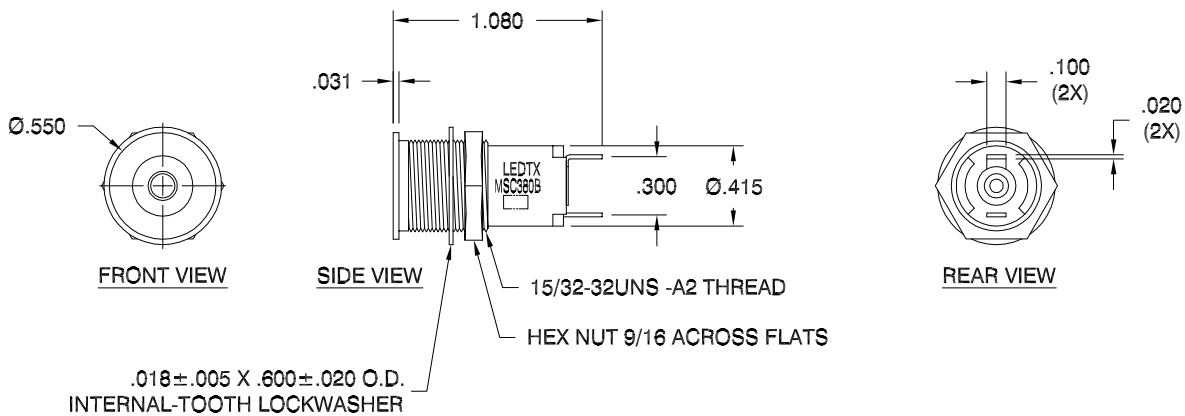
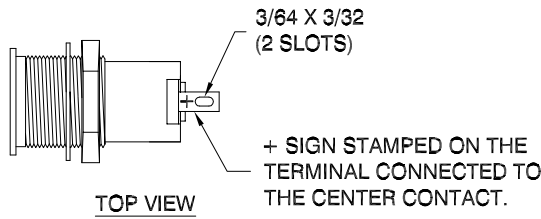


LTR	REVISION	DATE	APPD
-	RELEASED	01-07-20	



**MATERIALS AND FINISHES:**

- HOUSING: BLACK ANODIZED ALUMINUM
- HEX NUT: STEEL. ZINC PLATED
- INTERNAL-TOOTH LOCKWASHER: STEEL. ZINC PLATED
- TERMINALS: BRASS HOT TIN PLATED LUG TYPE

**NOTES:**

- ALL DIMENSIONS ARE IN INCHES.
- MOUNTING DIAMETER 15/32"
- HOLDER ACCEPTS T1-3/4 MIDGET FLANGE BASE LED LAMP.
- OPERATING TEMPERATURE: -55C - +85C
- TIGHTENING TORQUE: 0.5 FT-LBS

**REVISION NOTIFICATION**

- DLC
- UL/ETL
- MADE IN USA
- CUSTOMER \_\_\_\_\_
- OTHER

**REDLINE CHECKLIST**

- REDLINE(YES)
- DATE: \_\_\_\_\_
- INITIATED BY: \_\_\_\_\_
- ECR REQUIRED YES  NO
- WORK ORDER# \_\_\_\_\_



**-PROPRIETARY-**  
This document contains Proprietary information of LEDTRONICS, INC. It may not be copied, used or disclosed for any purpose without the prior express written consent of LEDTRONICS, INC.

.XXX ± .010 TOLERANCE PER ANSI-Y14.5  
.XX ± .025 (UNLESS OTHERWISE STATED)  
ANGLES ± 0°,30'  
FRACT. ± 1/32

<b>TITLE</b>							
<b>HLDR-MSC380B</b>							
<b>DWG NO</b>		<b>SCALE</b>		<b>SHEET</b>		<b>DATE</b>	
CMHD0036-CUST		1:1		1 OF 1		01-07-20	
<b>CODE IDENT NO.</b>	<b>DWG BY GP</b>	<b>CHK BY</b>	<b>QA SB</b>	<b>MFG LD</b>	<b>R&amp;D UF</b>		
8Z410	01-07-20		01-09-20	01-08-20	01-08-20		