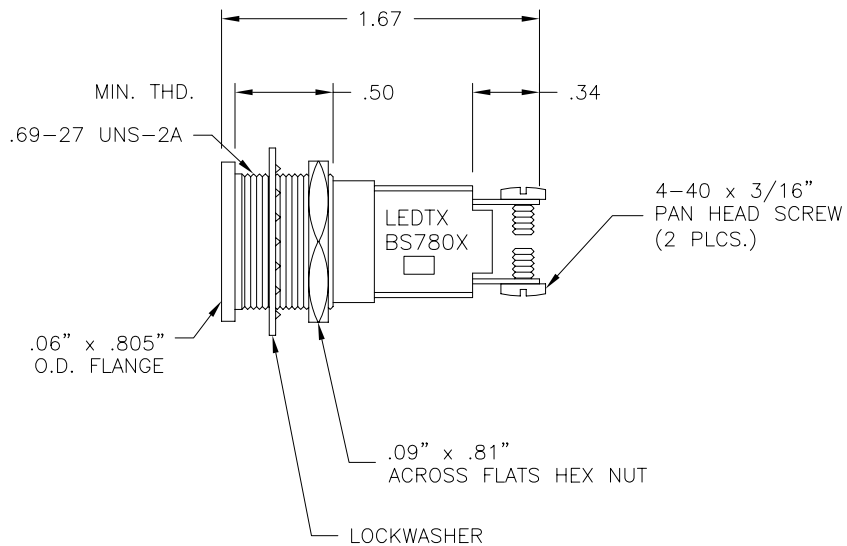


LTR	REVISION	DATE	APPD
A	030509-MLR01:ADDED NOTE: BLACK NICKEL FINISH FOR HLDR-BS780BS	08-04-09	MM



HOLDER (SCREW TERMINAL)
 11/16" RECOMMENDED MOUNTING CLEARANCE HOLE
 PART NO.: BS780S (SILVER BEZEL, SCREW TERM.)
 BS780BS (BLACK BEZEL, SCREW TERM.)

APPROVALS

UL LISTED AND CSA CERTIFIED

SPECIFICATION

HOUSING: BRASS - POLISHED CHROME FINISH (HLDR-BS780S)
 OR BLACK NICKEL FINISH (HLDR-BS780BS)

BODY: HIGH DIELECTRIC PHENOLIC

HEX NUT: BRASS - NICKEL-PLATED

LOCK WASHER: PHOSPHOR BRONZE - NICKEL-PLATED

TERMINALS: BRASS - TIN-PLATED

SCREWS: 4-40 BRASS - NICKEL-PLATED

WT. 0.04 LB



REVISION NOTIFICATION	
<input type="checkbox"/>	PMA
<input type="checkbox"/>	UL
<input type="checkbox"/>	CUSTOMER _____
<input type="checkbox"/>	OTHER



-PROPRIETARY-
 This document contains Proprietary information of LEDTRONICS, INC. It may not be copied, used or disclosed for any purpose without the prior express written consent of LEDTRONICS, INC.

.XXX ± .010 TOLERANCE PER ANSI-Y14.5
 .XX ± .025 (UNLESS OTHERWISE STATED)
 ANGLES ± 0°,30'
 FRACT. ± 1/32

TITLE					
HLDR-BS780S HLDR-BS780BS					
DWG NO	SCALE	SHEET	DATE		
CMHD0135-CUST	1:1	1 OF 1	10-01-08		
CODE IDENT NO.	DWG BY GP	CHK BY	QA CH	MFG LD	R&D
8Z410	10-01-08		08-05-09	08-05-09	