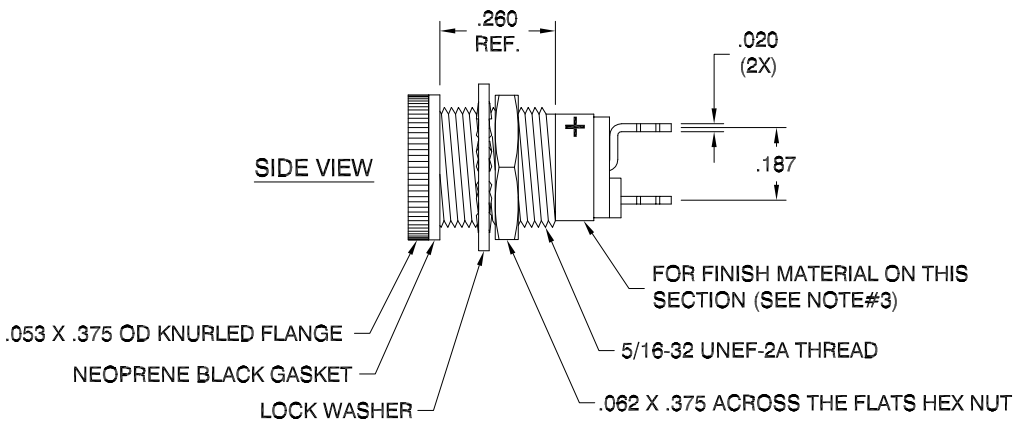
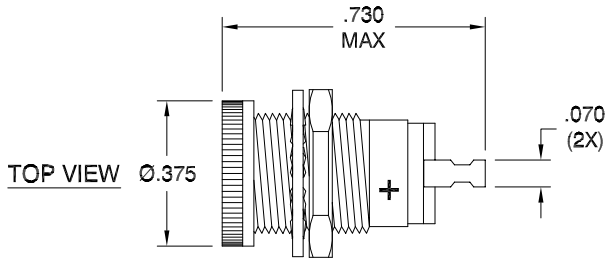


LTR	REVISION	DATE	APPD
-	RELEASED	01-22-19	



NOTES:

1. ALL DIMENSIONS ARE IN INCHES.
2. MATERIAL: CASE - BRASS, NICKEL PLATED
MOUNTING HARDWARE - BRASS, NICKEL PLATED
TERMINALS - BRASS, GOLD PLATED
INSULATION - HIGH DIELECTRIC PLASTIC
3. FINISH: BLACK NICKEL-(CONTINUOUS, CHROMATE BLACK COATING)
4. HOLDER IS DESIGNED FOR PANEL WITH MAXIMUM THICKNESS OF 0.170".

REVISION NOTIFICATION	
<input type="checkbox"/>	DLC
<input type="checkbox"/>	UL/ETL
<input type="checkbox"/>	MADE IN USA
<input type="checkbox"/>	CUSTOMER _____
<input type="checkbox"/>	OTHER
REDLINE CHECKLIST	
<input type="checkbox"/>	REDLINE(YES)
<input type="checkbox"/>	DATE: _____
<input type="checkbox"/>	INITIATED BY: _____
<input type="checkbox"/>	ECR REQUIRED YES <input type="checkbox"/> NO <input type="checkbox"/>
<input type="checkbox"/>	WORK ORDER# _____

LEDTRONICS,™ INC.
23105 KASHIWA COURT
TORRANCE, CA 90505

-PROPRIETARY-
This document contains Proprietary information of LEDTRONICS, INC. It may not be copied, used or disclosed for any purpose without the prior express written consent of LEDTRONICS, INC.

.XXX ± .010 TOLERANCE PER ANSI-Y14.5
.XX ± .025 (UNLESS OTHERWISE STATED)
ANGLES ± 0°,30'
FRACT. ± 1/32

TITLE HLDR-HLC2220 (WATER PROOF)			
DWG NO CMHD0028-CUST	SCALE 2:1	SHEET 1 OF 1	DATE 01-22-19
CODE IDENT NO. 8Z410	DWG BY GP 01-22-19	CHK BY	QA EE 01-22-19
			MFG LD 01-22-19
			R&D KS 01-22-19