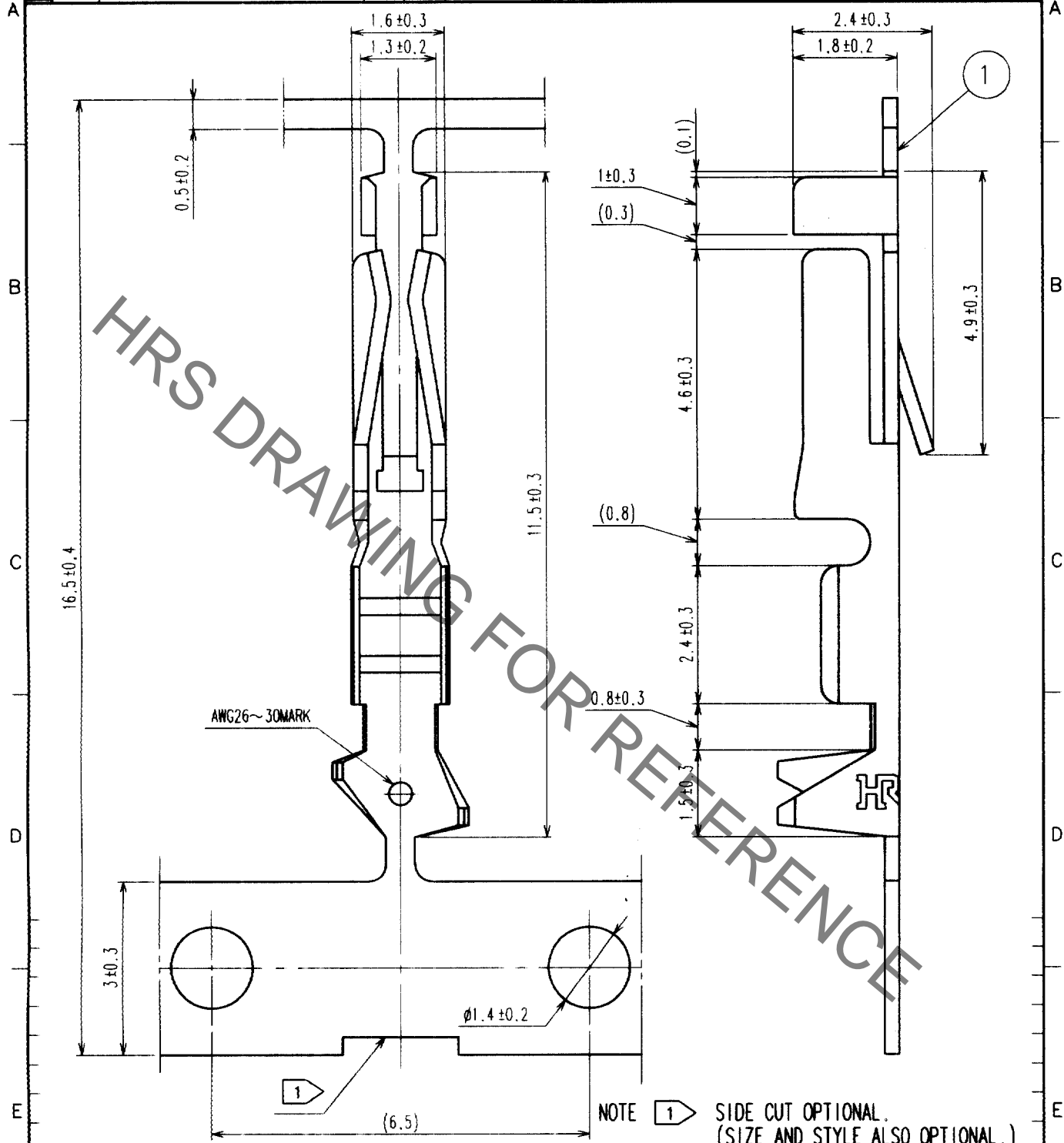


Apr.1.2020 Copyright 2020 HIROSE ELECTRIC CO., LTD. All Rights Reserved.
 In case of consideration for using Automotive equipment / device which demand high reliability, kindly contact our sales window correspondents.

1				2				3				4			
COUNT	DESCRIPTION OF REVISIONS	BY	CHKD	DATE	COUNT	DESCRIPTION OF REVISIONS	BY	CHKD	DATE	COUNT	DESCRIPTION OF REVISIONS	BY	CHKD	DATE	



1	PHOSPHOR BRONZE	CONTACT AREA: GOLD PLATED 0.2μm UNDER PLATING: NICKEL 0.5μm	NO.	MATERIAL	FINISH, REMARKS
---	-----------------	--	-----	----------	-----------------

NO.	MATERIAL	FINISH, REMARKS	NO.	MATERIAL	FINISH, REMARKS
-----	----------	-----------------	-----	----------	-----------------

CODE NO. (OLD) CL	DRAWN S. SUZUKI 03.05.28	DESIGNED H. Nakamura 03.05.28	CHECKED H. Okawa 03.05.28	APPROVED Y. Yoshimura 03.05.29	RELEASED
----------------------	--------------------------------	-------------------------------------	---------------------------------	--------------------------------------	----------

SCALE 10 : 1	DRAWING NO. EDC4-017874	PART NO. HIF3-2630SCFC
UNITS mm	HRS HIROSE ELECTRIC CO., LTD.	CODE NO. CL613-0001-9

TO
PCK