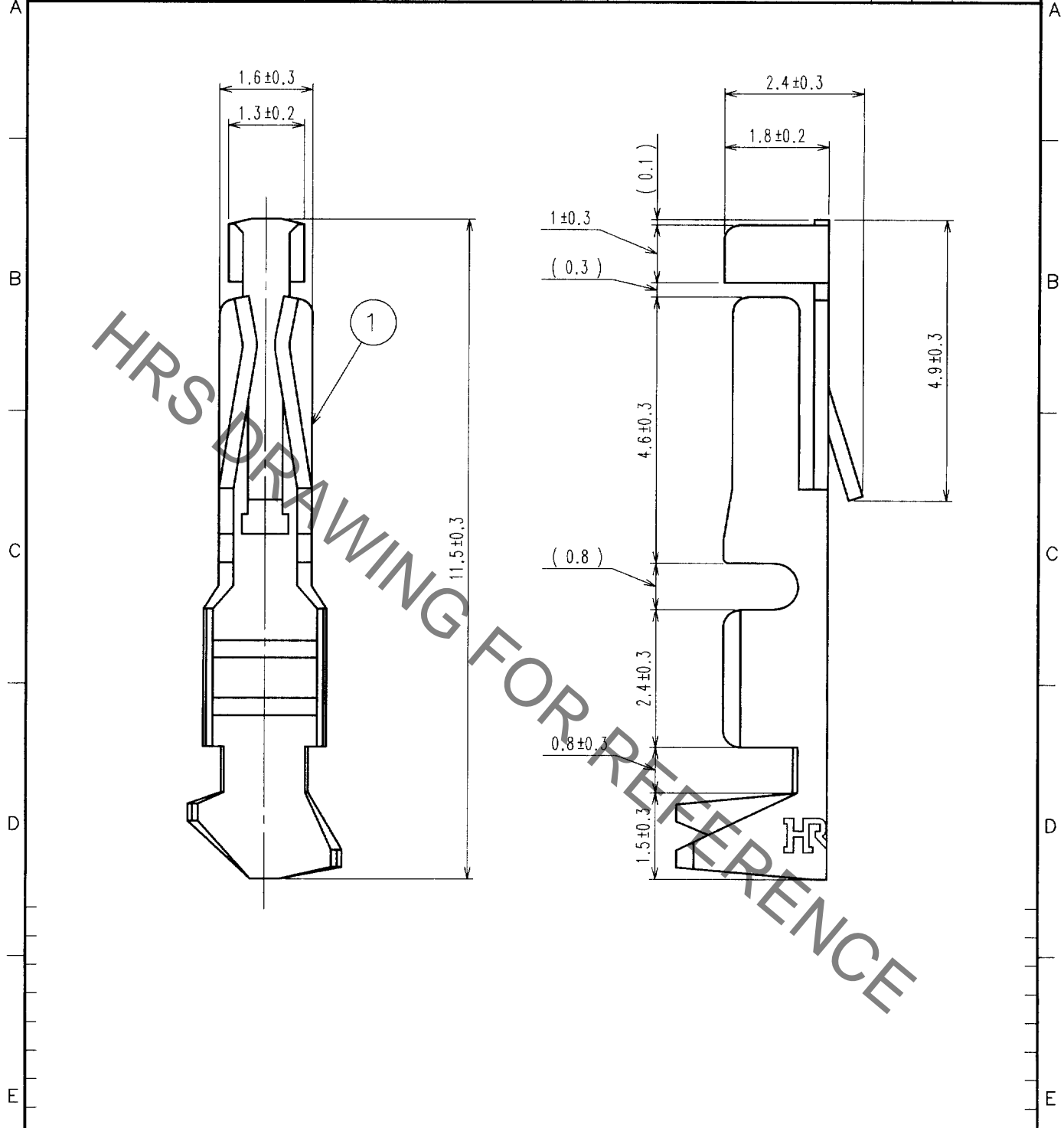


Apr.1.2020 Copyright 2020 HIROSE ELECTRIC CO., LTD. All Rights Reserved.
 In case of consideration for using Automotive equipment / device which demand high reliability, kindly contact our sales window correspondents.

1					2					3					4				
COUNT	DESCRIPTION OF REVISIONS				BY	CHKD	DATE	COUNT	DESCRIPTION OF REVISIONS				BY	CHKD	DATE				
△							..	△							..				
△								△							..				
△								△							..				



NO.	MATERIAL	FINISH, REMARKS	NO.	MATERIAL	FINISH, REMARKS
1	PHOSPHOR BRONZE	CONTACT AREA: GOLD PLATED(0.2μm) OVER NICKEL THE OTHER AREA: NICKEL PLATED			

CODE NO. (OLD)	DRAWN	DESIGNED	CHECKED	APPROVED	RELEASED
	<i>[Signature]</i>	<i>[Signature]</i>	<i>[Signature]</i>	<i>[Signature]</i>	
	02.06.17	02.06.17	02.06.17	02.06.17	

	DRAWING NO.	PART NO.
SCALE	EDC4-017875	HIF3-2226SCC
10 : 1	HRS	CL613-0004-7
UNITS	HIROSE ELECTRIC CO., LTD.	
mm		

TO
PCK

