

HF-17FRX4 ✓ ACTIVE

RAYCHEM | RAYCHEM HF

TE Internal #: CF7300-000

Black, 3:1, Single Wall Tubing, Shrinks To .5 in [12.7 mm], Irradiated Modified Polyolefin, 1.7 in [43.1 mm] Inner Diameter, RAYCHEM HF

[View on TE.com >](#)



Heat Shrink Tubing > HF Heat Shrink Tubing



Primary Product Color: **Black**

Wall Type: **Single Wall**

Expanded Inside Diameter (Min): **43.1 mm [1.7 in]**

Recovered Inside Diameter (Max): **12.7 mm [.5 in]**

Shrink Ratio: **3:1**

[All HF Heat Shrink Tubing \(17\)](#)

Features

Product Type Features

Wall Type	Single Wall
-----------	-------------

Electrical Characteristics

Operating Voltage (Max)	.6 kV
-------------------------	-------

Body Features

Fluid Type	Water
Primary Product Color	Black
Shrink Ratio	3:1
Primary Product Material	Irradiated Modified Polyolefin
Flexibility	Very Flexible

Dimensions

Recovered Wall Thickness (Nominal)	3 mm[.12 in]
Product Length	1220 mm[48.031 in]
Expanded Inside Diameter (Min)	43.1 mm[1.7 in]
Recovered Inside Diameter (Max)	12.7 mm[.5 in]
Tubing Size Range	12.7 – 43.1 mm[.5 – 1.7 in]

Usage Conditions

Shrink Temperature (Min)	80 °C
--------------------------	-------



Tubing Flammability Type	Flame-Retardant
Operating Temperature Range	-55 – 90 °C
Recovery Temperature	121 °C

Operation/Application

Mechanical Resistance	Abrasion, Fluids, Mechanical Damage, Strain Relief
-----------------------	--

Product Availability

Applicable Region	Global
-------------------	--------

Packaging Features

Packaging Method	Box
------------------	-----

Other

Meets Low Outgassing Requirements	No
Product Source	Czech Republic

Product Compliance

[For compliance documentation, visit the product page on TE.com>](#)

EU RoHS Directive 2011/65/EU	Compliant
EU ELV Directive 2000/53/EC	Compliant
China RoHS 2 Directive MIIT Order No 32, 2016	No Restricted Materials Above Threshold
EU REACH Regulation (EC) No. 1907/2006	Current ECHA Candidate List: JUNE 2024 (241) Candidate List Declared Against: JUNE 2022 (224) Does not contain REACH SVHC
Halogen Content	Not Yet Reviewed for halogen content
Solder Process Capability	Not applicable for solder process capability

Product Compliance Disclaimer

This information is provided based on reasonable inquiry of our suppliers and represents our current actual knowledge based on the information they provided. This information is subject to change. The part numbers that TE has identified as EU RoHS compliant have a maximum concentration of 0.1% by weight in homogenous materials for lead, hexavalent chromium, mercury, PBB, PBDE, DBP, BBP, DEHP, DIBP, and 0.01% for cadmium, or qualify for an exemption to these limits as defined in the Annexes of Directive 2011/65/EU (RoHS2). Finished electrical and electronic equipment products will be CE marked as required by Directive 2011/65/EU. Components may not be CE marked. Additionally, the part numbers that TE has identified as EU ELV compliant have a maximum concentration of 0.1% by weight in homogenous materials for lead, hexavalent chromium, and mercury, and 0.01% for cadmium, or qualify for an exemption to these limits as defined in the Annexes of Directive 2000/53/EC (ELV). Regarding the REACH Regulation, the information TE provides on SVHC in articles for this part number is based on the latest European Chemicals Agency (ECHA) 'Guidance on requirements for substances in articles' posted at this URL: <https://echa.europa.eu/guidance-documents/guidance-on-reach>

Compatible Parts



TE Part # 2326489-1
MODEL 105 TUNNEL OVEN, 36"
ENTRY, STAND




TE Part # 2394980-1
MOD 105 TUN OVEN, 69" ENTRY,
STANDARD



TE Part # 955018-000
CLTEQ-M105-TUNNEL-OVEN

Also in the Series | RAYCHEM HF



Heat Shrink Tubing(17)

Customers Also Bought




TE Part #776428-1
AS16,CAP ASSY,ST,02P,N SEAL,CODE
A



TE Part #M3021-000005-05KPG
PRESS XDCR M3021-000005-05KPG



TE Part #3-2176343-3
CRGCO 1206 4K7 1%



TE Part #5039314011
DR-25-2-0-SP



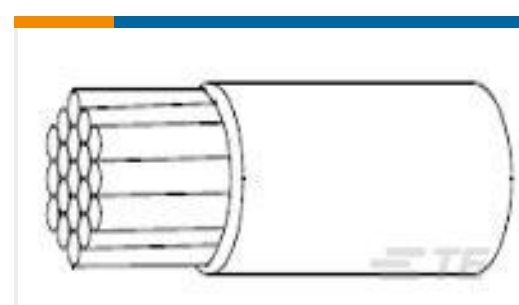
TE Part #5053144070
RNF-100-3/8-0-SP



TE Part #776297-2
ASSEMBLY SOCKET LOOSE PC NICKEL



TE Part #CB5087-000
HF Heat Shrink Tubing



TE Part #216296-002
22759/32-18-9



Documents

Product Drawings

[HF-17FRX4](#)

English

Datasheets & Catalog Pages

[Measuring_Single_Wall_Tubing](#)

English

[Selecting_Correct_Tubing_1216](#)

English

Product Specifications

[Application Specification](#)

English